

**MODEL:** CPI-1762-90-SMT-TR | **DESCRIPTION:** PIEZO BUZZER INDICATOR**FEATURES**

- internally driven
- continuous tone
- surface mount

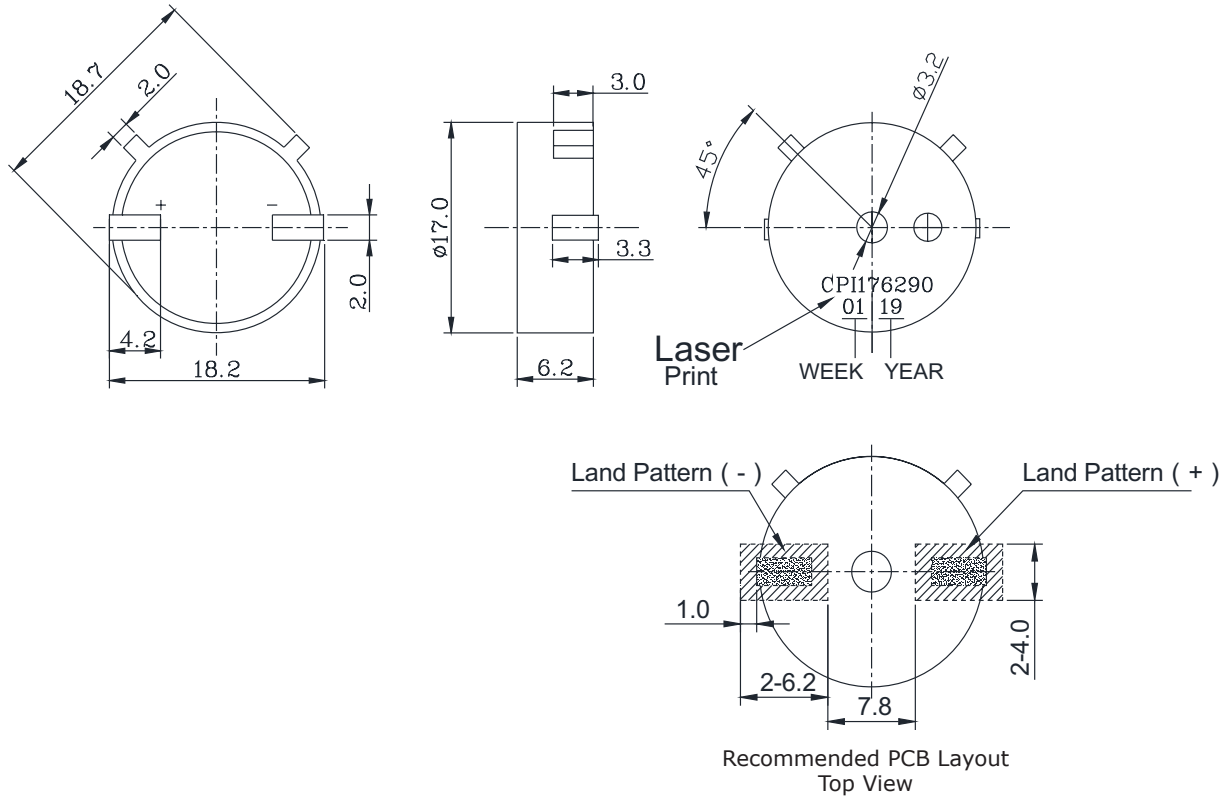
**SPECIFICATIONS**

parameter	conditions/description	min	typ	max	units
rated voltage			12		Vdc
operating voltage		3		15	Vdc
current consumption	at rated voltage			12	mA
rated frequency		3,500	4,000	4,500	Hz
sound pressure level	at 10 cm, rated voltage	90			dB
tone	continuous				
dimensions	Ø17 x 6.2				mm
weight				2.3	g
material	PPS				
terminal	surface mount (tin plating)				
operating temperature		-40		85	°C
storage temperature		-40		90	°C
washable	no				
RoHS	yes				

Notes: 1. All specifications measured at 5~35°C, humidity at 45~85%, under 86~106 kPa pressure, unless otherwise noted.

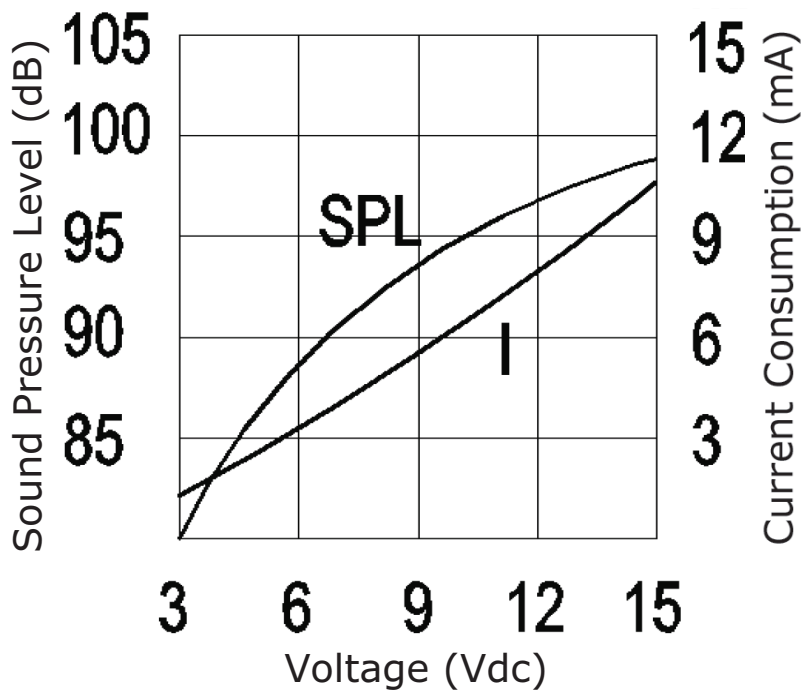
## MECHANICAL DRAWING

units: mm  
tolerance: ±0.5 mm



## PERFORMANCE CURVES

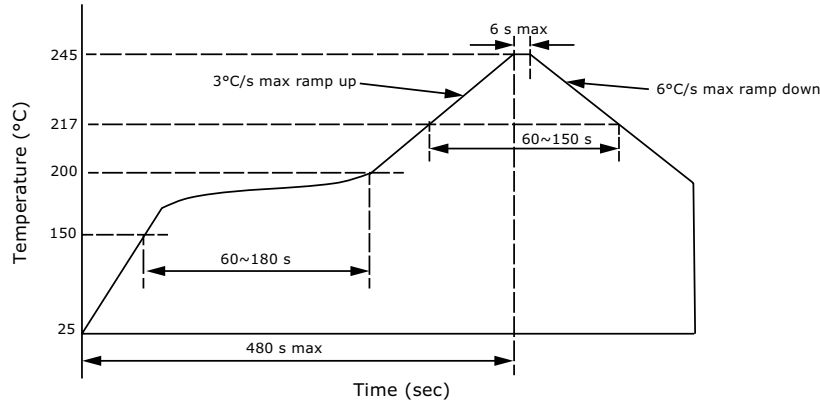
SPL: Voltage vs. Sound Pressure Level  
I: Voltage vs. Current Consumption  
at 10 cm



## SOLDERABILITY

parameter	conditions/description	min	typ	max	units
reflow soldering	as per IPC/JEDEC J-STD-020C		240	245	°C

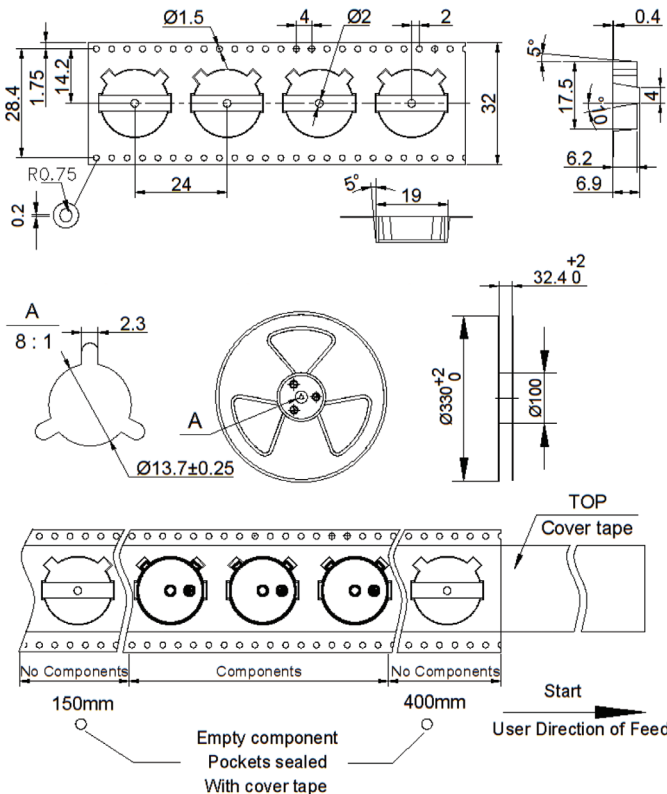
Note: 2. Not suitable for wash process.  
3. It is recommended to reflow solder only once.



## PACKAGING

parameter	conditions/description	min	typ	max	units
reel storage <sup>4</sup>	at relative humidity 15~85%	-10		40	°C
MSL	Class 5a				
reel QTY	400				
carton QTY	4,000				

Note: 4. Recommended storage period no more than 6 months. Floor life (out of bag) use immediately.  
5. 10 sprocket hole pitch cumulative tolerance ±0.2 mm.  
6. All dimensions meet EIA-481-D requirements.  
7. Thickness: 0.4±0.05 mm  
8. Component loaded per 13", 330 mm reel



Lot No.	XXXXXXXXXX
Part No.	XXXXXXXXXX XXXXXXXXXX
Quantity	XXXX Pcs
Date:	DD MM YY
	<b>RoHS Compliant</b>
	MADE IN CHINA
	CUI DEVICES



**Caution**  
This bag contains  
MOISTURE-SENSITIVE DEVICES

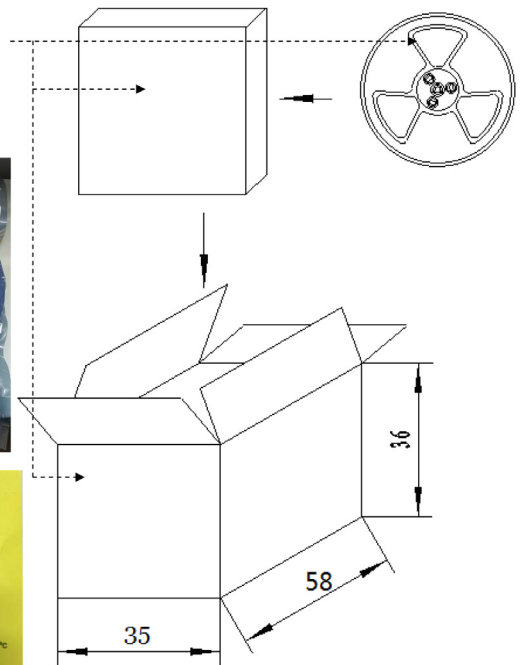
LEVEL 5a

- Calculated shelf life in sealed bag: 12 months at +4°C and <90% relative humidity (RH).
- Peak package body temperature: 85 °C
- After bag is opened, devices that will be subjected to reflow solder or other high temperature process must be used within 24 hours of factory conditions (15°C/65% RH) or stored per J-STD-033.
- Devices require bake, before mounting. If humidity indicator card reads >10% for level 2a - 5b devices or >20% for level 2 devices when read at 23 ± 0°C (73 ± 0°F) or 30 sec not met.
- If baking is required, refer to IPC/JEDEC J-STD-033 for bake procedure.

Bag Seal Date: \_\_\_\_\_

Note: Level and body temperature defined by IPC/JEDEC J-STD-033

Date	PRC	QTY	PIN	INITIAL



Vacuum bag contains desiccant and HIC

## REVISION HISTORY

---

rev.	description	date
1.0	initial release	12/12/2019
1.01	updated packaging	01/08/2020

The revision history provided is for informational purposes only and is believed to be accurate.

---

# CUI DEVICES

CUI Devices offers a one (1) year limited warranty. Complete warranty information is listed on our website.

CUI Devices reserves the right to make changes to the product at any time without notice. Information provided by CUI Devices is believed to be accurate and reliable. However, no responsibility is assumed by CUI Devices for its use, nor for any infringements of patents or other rights of third parties which may result from its use.

CUI Devices products are not authorized or warranted for use as critical components in equipment that requires an extremely high level of reliability. A critical component is any component of a life support device or system whose failure to perform can be reasonably expected to cause the failure of the life support device or system, or to affect its safety or effectiveness.