

**MODEL:** CPI-3816-95T | **DESCRIPTION:** PIEZO BUZZER TRANSDUCER**FEATURES**

- single tone
- externally driven
- through hole

**SPECIFICATIONS**

parameter	conditions/description	min	typ	max	units
rated voltage			9		Vdc
operating voltage		6		16	Vdc
current consumption	at rated voltage			30	mA
rated frequency		2,700	3,200	3,700	Hz
sound pressure level	at 30 cm, rated voltage	95			dB
tone	single				
dimensions	Ø39.0 x 16.0				mm
weight				8.5	g
material	ABS				
terminal	pins (tin plating)				
operating temperature		-20		70	°C
storage temperature		-30		80	°C
washable	no				
RoHS	yes				

Notes: 1. All specifications measured at 5~35°C, humidity at 45~85%, under 86~106 kPa pressure, unless otherwise noted.

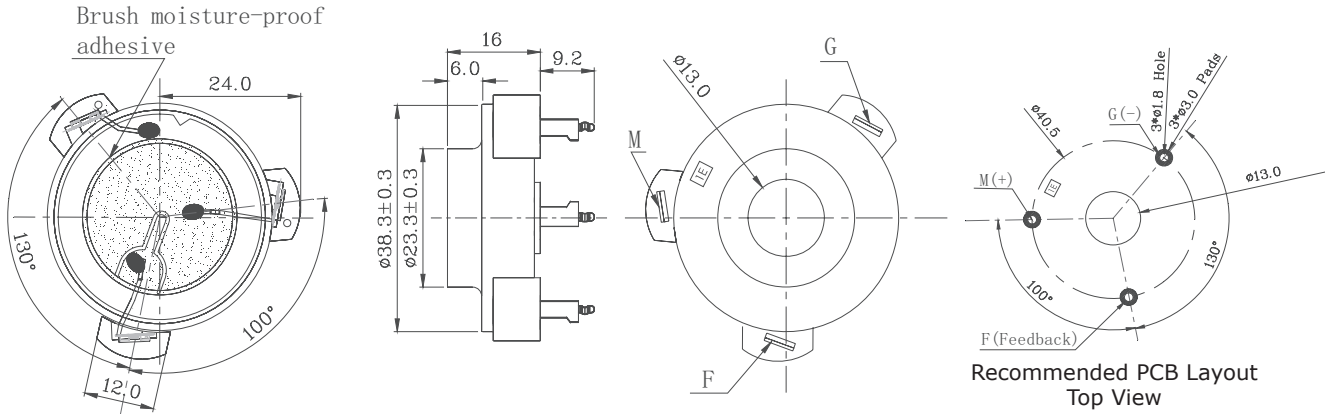
**SOLDERABILITY**

parameter	conditions/description	min	typ	max	units
hand soldering	maximum 2 seconds	330		380	°C

## MECHANICAL DRAWING

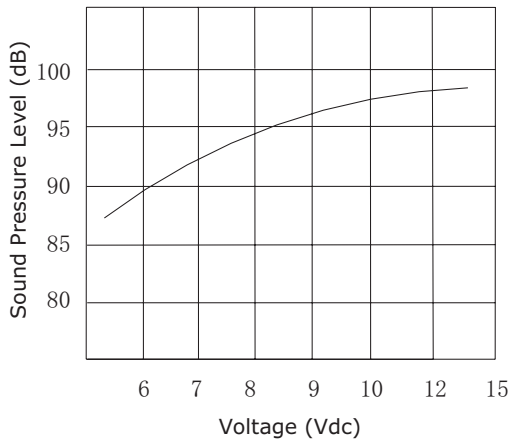
units: mm

tolerance:  $\pm 0.5$  mm

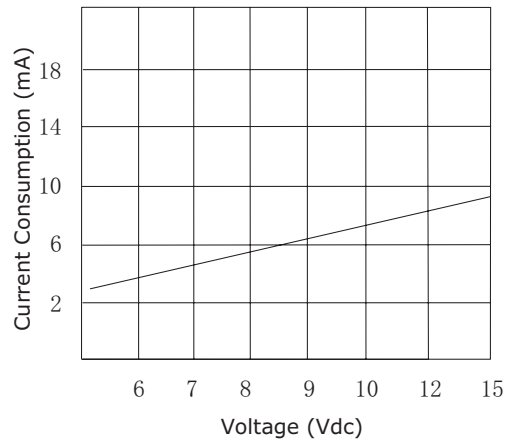


## PERFORMANCE CURVES

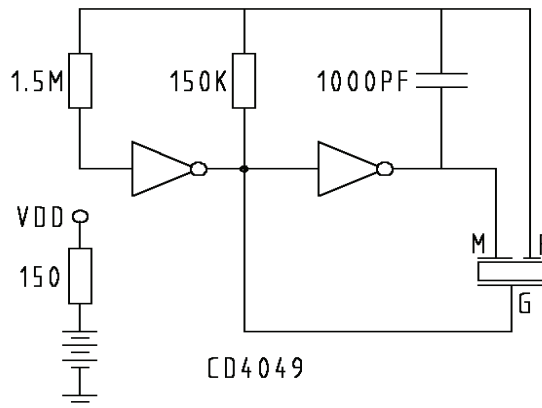
Voltage vs. Sound Pressure Level at 30 cm, 25°C



Voltage vs. Current Consumption at 25°C



## DRIVING CIRCUIT

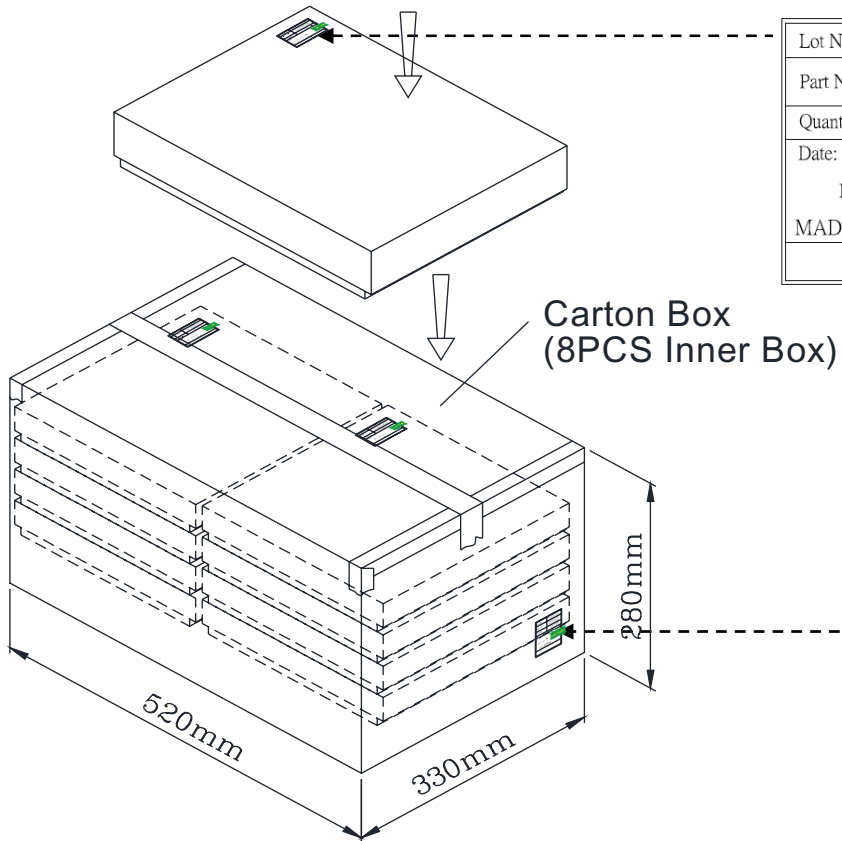
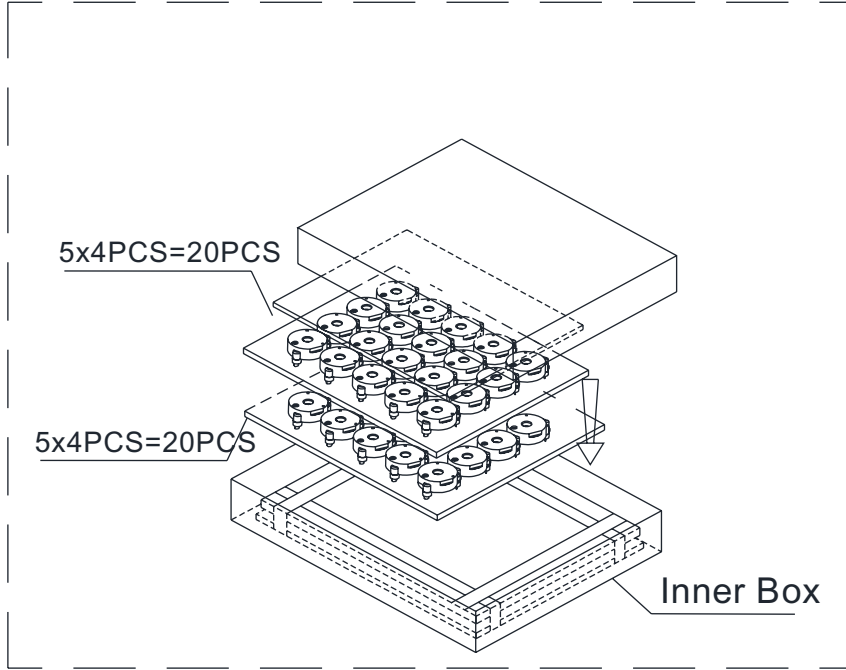


Notes: 1. The current consumption and the sound pressure level are measured by using the recommended driving circuit shown above.

## PACKAGING

units: mm

Carton Size: 520 x 330 x 280 mm  
 Carton QTY: 320 pcs per carton



Lot No.	XXXXXXXXXX
Part No.	XXXXXXXXXX XXXXXXXXXX
Quantity	XXXX Pcs
Date:	DD MM YY
MADE IN CHINA	

**RoHs Compliant**

## REVISION HISTORY

---

rev.	description	date
1.0	initial release	12/10/2019

The revision history provided is for informational purposes only and is believed to be accurate.

---

# CUI DEVICES

CUI Devices offers a one (1) year limited warranty. Complete warranty information is listed on our website.

CUI Devices reserves the right to make changes to the product at any time without notice. Information provided by CUI Devices is believed to be accurate and reliable. However, no responsibility is assumed by CUI Devices for its use, nor for any infringements of patents or other rights of third parties which may result from its use.

CUI Devices products are not authorized or warranted for use as critical components in equipment that requires an extremely high level of reliability. A critical component is any component of a life support device or system whose failure to perform can be reasonably expected to cause the failure of the life support device or system, or to affect its safety or effectiveness.