

MODEL: CPI-4232-76ST | **DESCRIPTION:** PIEZO BUZZER INDICATOR**FEATURES**

- 110 Vdc rated voltage
- continuous tone
- screw terminals

**SPECIFICATIONS**

| parameter | conditions/description | min | typ | max | units |
|-----------------------|--|----------------|-------|---------------|----------------|
| rated voltage | | | 110 | | Vdc |
| operating voltage | | 30 | | 120 | Vac/Vdc |
| current consumption | at 30 Vdc/Vac at 110 Vdc at 120 Vdc/Vac | | | 5 20 25 | mA mA mA |
| rated frequency | | 2,300 | 2,800 | 3,300 | Hz |
| sound pressure level | at 60 cm, 30 Vdc/Vac at 60 cm, 110 Vdc at 60 cm, 120 Vdc/Vac | 68 76 80 | | | dB dB dB |
| tone | continuous | | | | |
| dimensions | Ø42.5 x 32.0 | | | | mm |
| weight | | | | 39.71 | g |
| material | NYLON (UL94V-0) | | | | |
| terminal | screw terminals (tin plating) | | | | |
| operating temperature | | -30 | | 85 | °C |
| storage temperature | | -40 | | 85 | °C |
| washable | no | | | | |
| RoHS | yes | | | | |

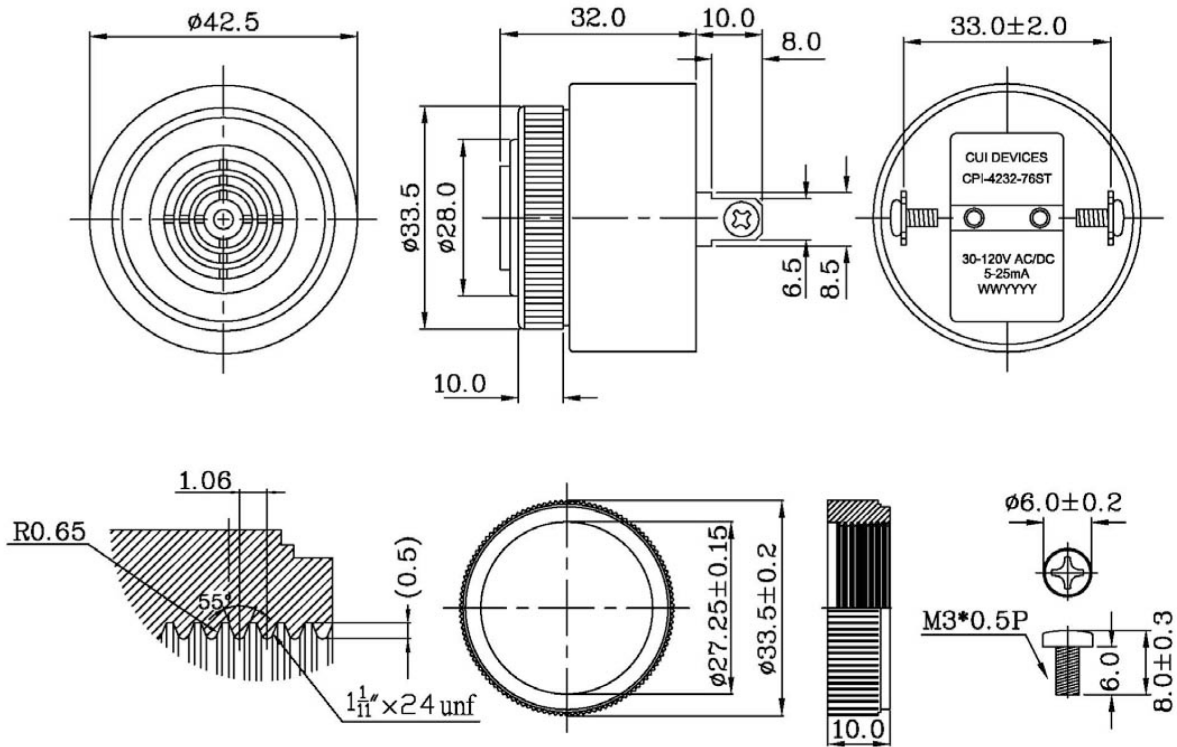
Notes: 1. All specifications measured at 5~35°C, humidity at 45~85%, under 86~106 kPa pressure, unless otherwise noted.

SOLDERABILITY

| parameter | conditions/description | min | typ | max | units |
|----------------|------------------------|-----|-----|-----|-------|
| hand soldering | maximum 2 seconds | 330 | | 380 | °C |

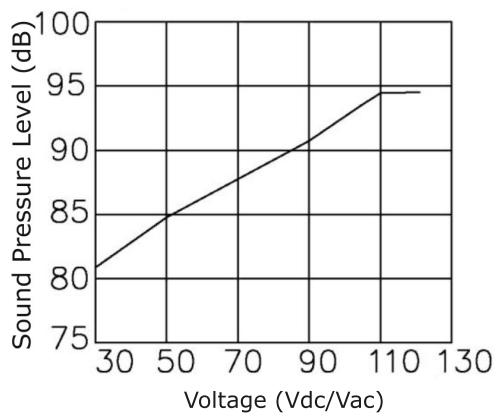
MECHANICAL DRAWING

units: mm
tolerance: ±0.5 mm

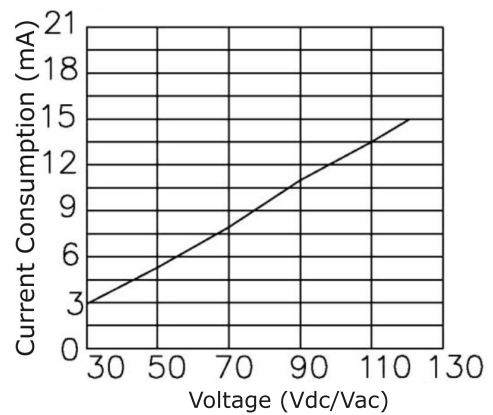


PERFORMANCE CURVES

Voltage vs. Sound Pressure Level at 60 cm



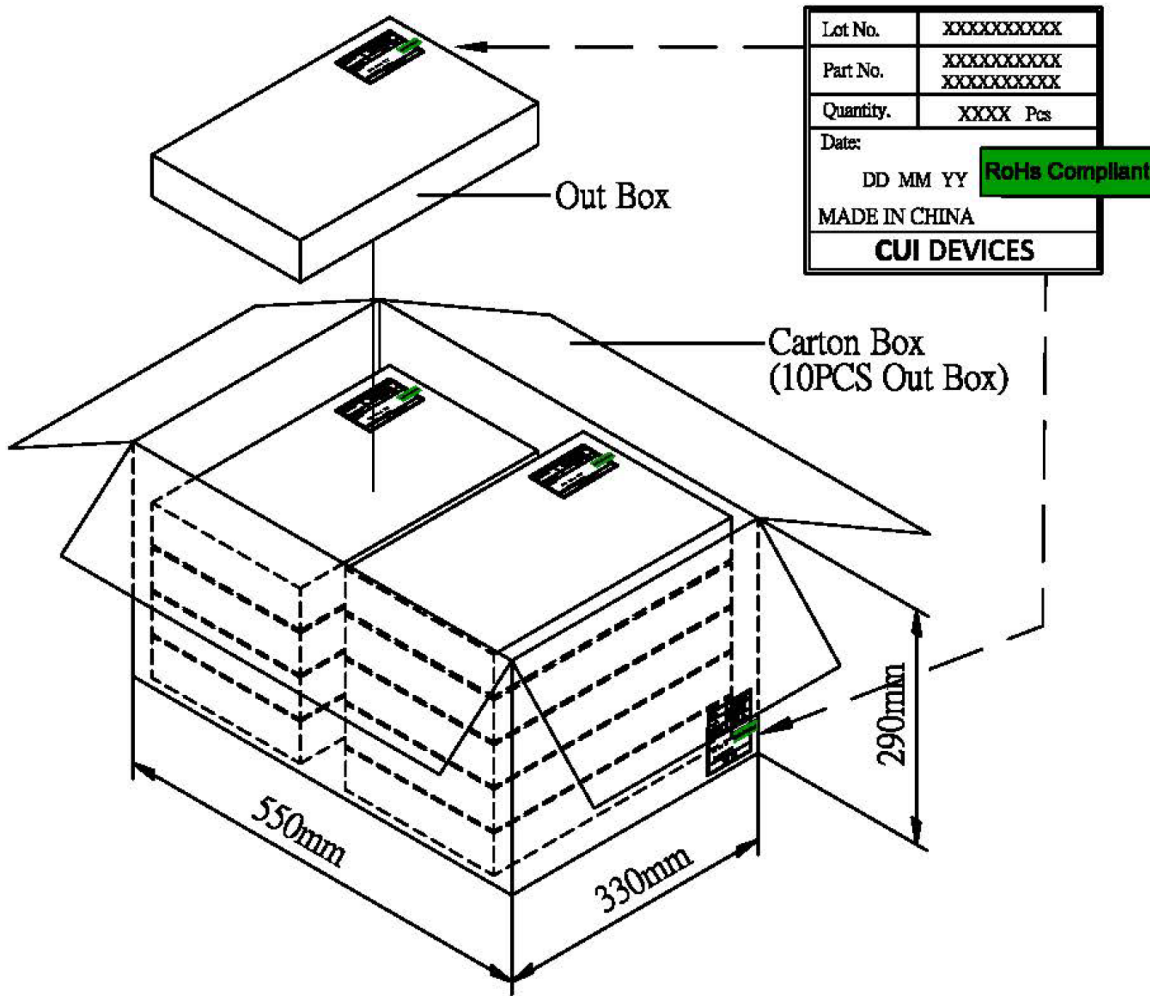
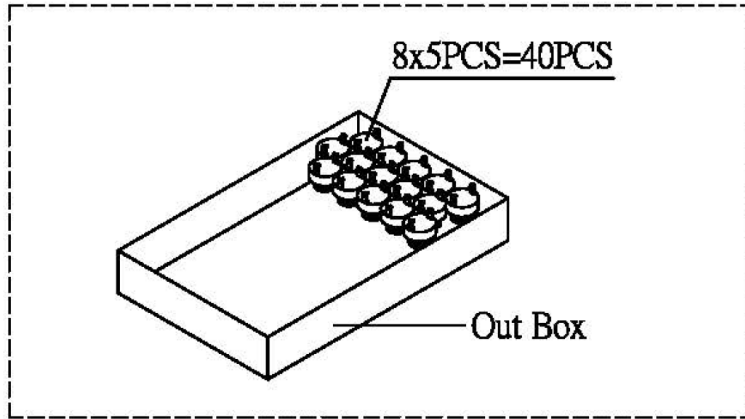
Voltage vs. Current Consumption



PACKAGING

units: mm

Carton Size: 550 x 330 x 290 mm
 Carton QTY: 400 pcs per carton



REVISION HISTORY

| rev. | description | date |
|------|-----------------|------------|
| 1.0 | initial release | 12/12/2019 |

The revision history provided is for informational purposes only and is believed to be accurate.

CUI DEVICES

CUI Devices offers a one (1) year limited warranty. Complete warranty information is listed on our website.

CUI Devices reserves the right to make changes to the product at any time without notice. Information provided by CUI Devices is believed to be accurate and reliable. However, no responsibility is assumed by CUI Devices for its use, nor for any infringements of patents or other rights of third parties which may result from its use.

CUI Devices products are not authorized or warranted for use as critical components in equipment that requires an extremely high level of reliability. A critical component is any component of a life support device or system whose failure to perform can be reasonably expected to cause the failure of the life support device or system, or to affect its safety or effectiveness.