

**MODEL:** CPS-3016-105L085 | **DESCRIPTION:** PIEZO BUZZER TRANSDUCER**FEATURES**

- 12 V rated
- externally driven
- wire leads

**SPECIFICATIONS**

parameter	conditions/description	min	typ	max	units
rated voltage			12		Vdc
operating voltage		6		16	Vdc
current consumption	at rated voltage			30	mA
rated frequency		2,750	3,250	3,750	Hz
sound pressure level	at 10 cm, rated voltage	105			dB
tone	single				
dimensions	Ø30.6 x 16.0				mm
weight			6.0		g
material	ABS777D				
terminal	wire leads				
operating temperature		-40		85	°C
storage temperature		-40		85	°C
washable	no				
RoHS	yes				

Notes: 1. All specifications measured at 5~35°C, humidity at 45~85%, under 86~106 kPa pressure, unless otherwise noted.

**SOLDERABILITY**

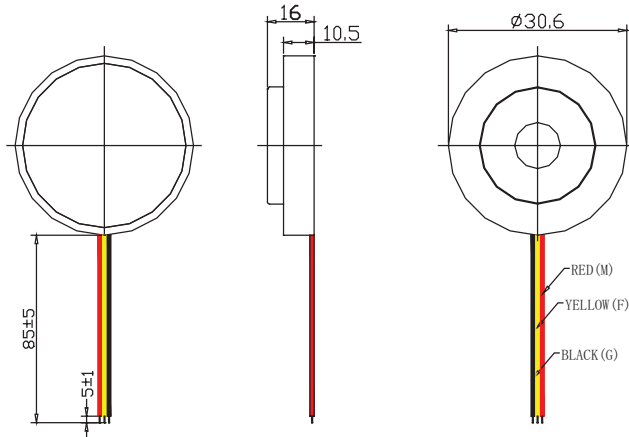
parameter	conditions/description	min	typ	max	units
hand soldering		360	380	400	°C

## MECHANICAL DRAWING

units: mm

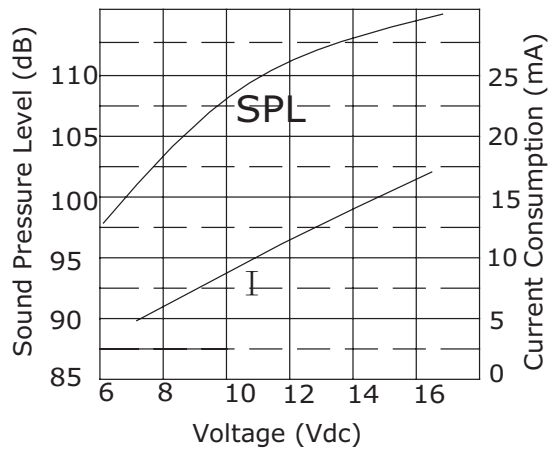
tolerance:  $\pm 0.5$  mm

wire: UL1571 AWG 28

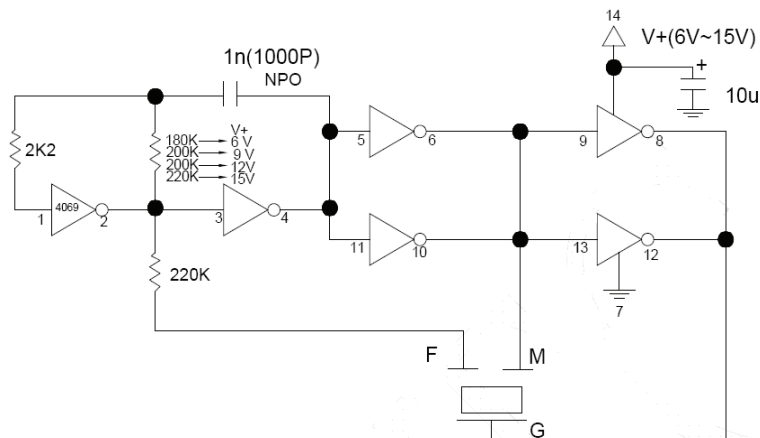


## PERFORMANCE CURVES

SPL: Voltage vs. Sound Pressure Level  
 I: Voltage vs. Current Consumption  
 at 10 cm



## DRIVING CIRCUIT

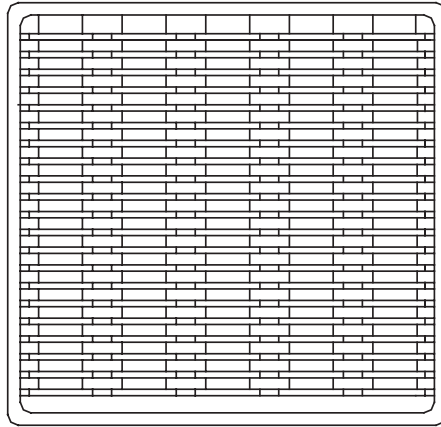


Notes: 1. The current consumption and the sound pressure level are measured by using the recommended driving circuit shown above.

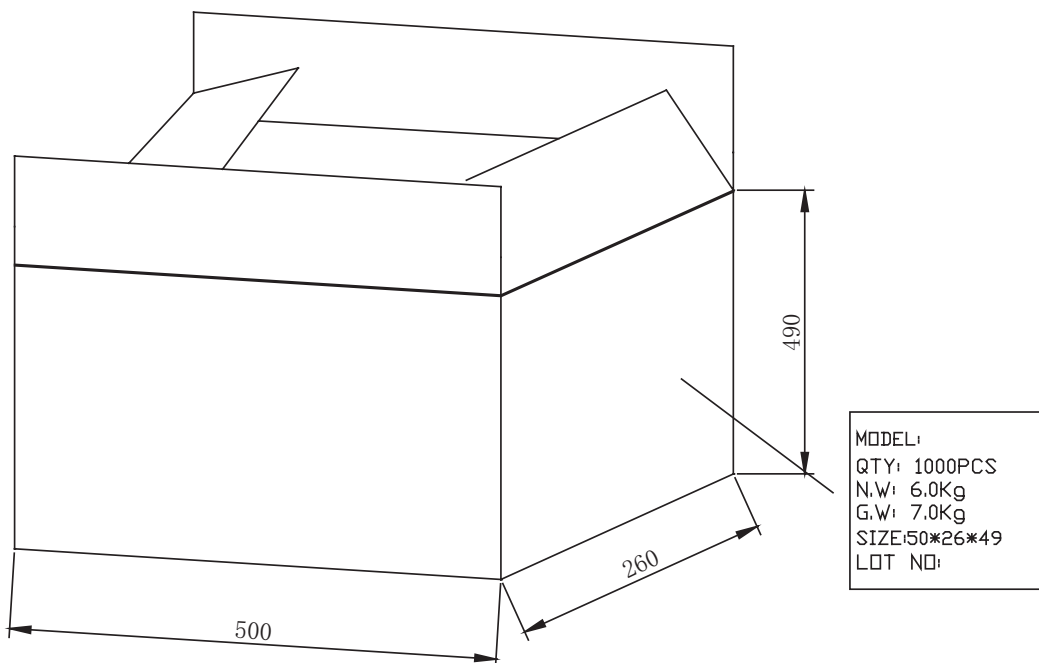
## PACKAGING

units: mm

Carton Size: 500 x 260 x 490 mm  
Carton QTY: 1,000 pcs per carton



Per Tray 50 pcs.



Per box 1000 pcs.

## REVISION HISTORY

---

rev.	description	date
1.0	initial release	01/08/2020

The revision history provided is for informational purposes only and is believed to be accurate.

---

# CUI DEVICES

CUI Devices offers a one (1) year limited warranty. Complete warranty information is listed on our website.

CUI Devices reserves the right to make changes to the product at any time without notice. Information provided by CUI Devices is believed to be accurate and reliable. However, no responsibility is assumed by CUI Devices for its use, nor for any infringements of patents or other rights of third parties which may result from its use.

CUI Devices products are not authorized or warranted for use as critical components in equipment that requires an extremely high level of reliability. A critical component is any component of a life support device or system whose failure to perform can be reasonably expected to cause the failure of the life support device or system, or to affect its safety or effectiveness.