

**MODEL:** CX-1606C | **DESCRIPTION:** MAGNETIC BUZZER INDICATOR**FEATURES**

- magnetic indicator with pin mount
- 6 Vdc rating
- 2,200 Hz rated frequency

**SPECIFICATIONS**

parameter	conditions/description	min	typ	max	units
rated voltage			6.0		Vdc
operating voltage		4.0		7.0	Vdc
current consumption	at rated voltage			50	mA
rated frequency		1,900	2,200	2,500	Hz
sound pressure level	at 10 cm (A-weight), rated voltage	85	92		dBA
dimensions	Ø16.0 x 14.0				mm
weight			4.6		g
material	PPO				
terminal	pin type (Au plating)				
operating temperature		-20		60	°C
storage temperature		-30		70	°C
washable	yes				
RoHS	yes				

Notes: 1. All specifications measured at 5~35°C, humidity at 45~85%, under 86~106kPa pressure, unless otherwise noted.

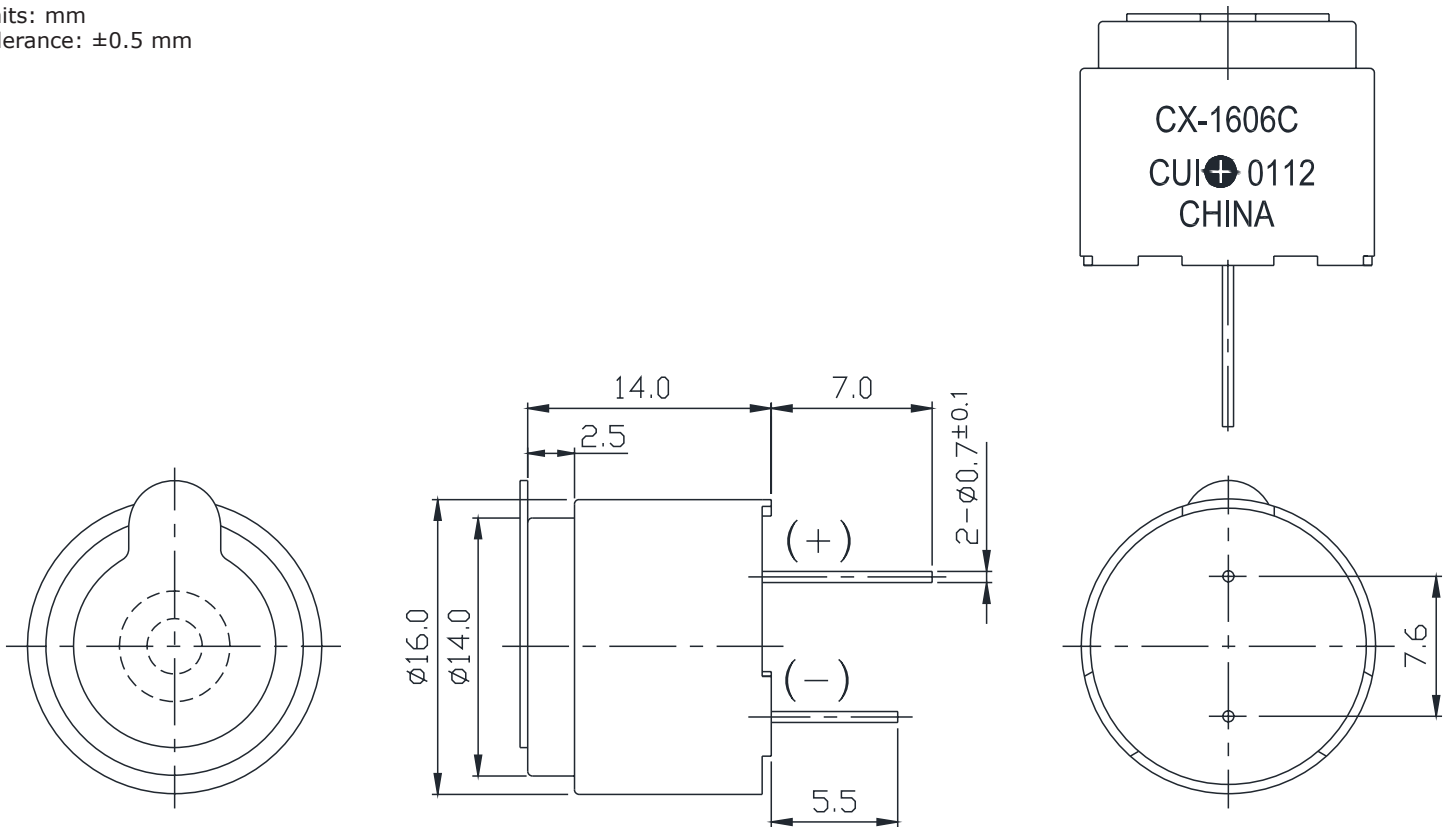
**SOLDERABILITY**

parameter	conditions/description	min	typ	max	units
hand soldering <sup>2</sup>	for maximum 2 seconds	330		380	°C

Notes: 2. Not recommended for wave soldering

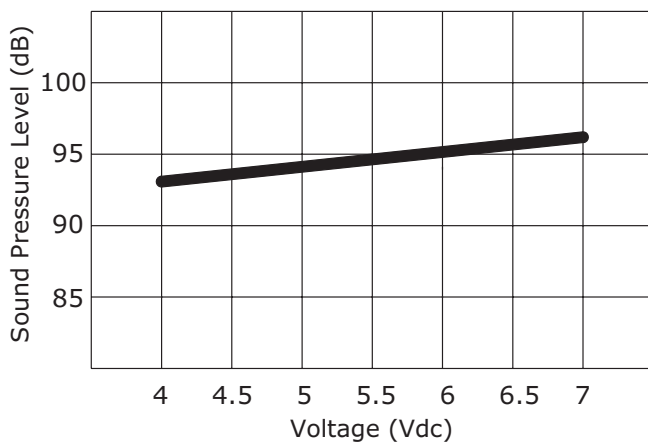
## MECHANICAL DRAWING

units: mm  
tolerance:  $\pm 0.5$  mm

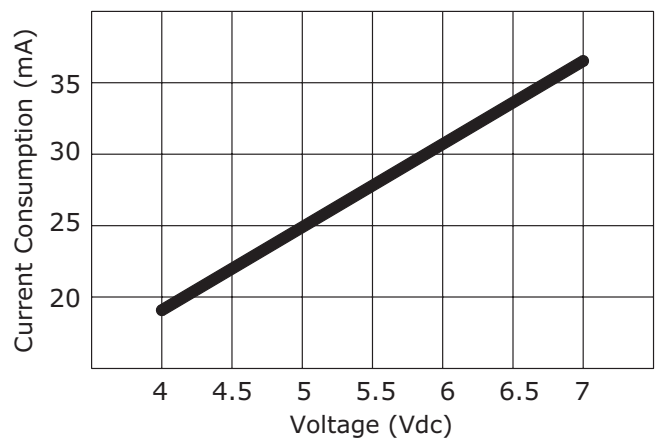


## PERFORMANCE CURVES

Voltage vs. Sound Pressure Level  
at 10 cm, 25°C



Voltage vs. Current Consumption  
at 25°C



## REVISION HISTORY

---

rev.	description	date
1.0	initial release	01/30/2006
1.01	brand update	01/14/2020

The revision history provided is for informational purposes only and is believed to be accurate.

---

# CUI DEVICES

CUI Devices offers a one (1) year limited warranty. Complete warranty information is listed on our website.

CUI Devices reserves the right to make changes to the product at any time without notice. Information provided by CUI Devices is believed to be accurate and reliable. However, no responsibility is assumed by CUI Devices for its use, nor for any infringements of patents or other rights of third parties which may result from its use.

CUI Devices products are not authorized or warranted for use as critical components in equipment that requires an extremely high level of reliability. A critical component is any component of a life support device or system whose failure to perform can be reasonably expected to cause the failure of the life support device or system, or to affect its safety or effectiveness.