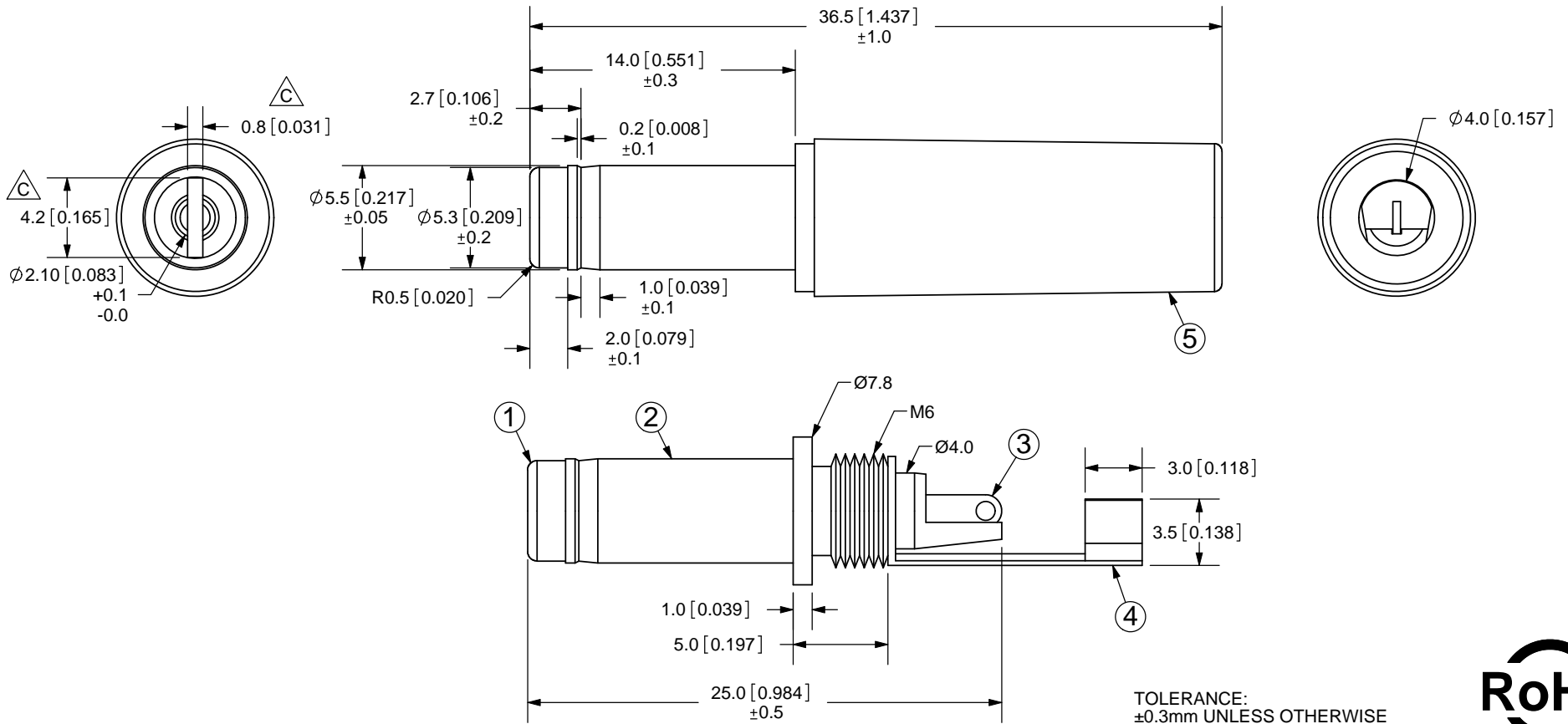
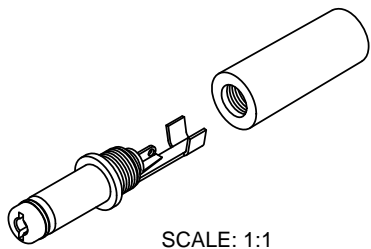


REV.	DESCRIPTION	DATE
A	NEW DRAWING	12/30/2009
B	operating temp added	3/25/2010
C	updated drawing to show tip slot, corrected material table	5/25/2010



TOLERANCE:  
±0.3mm UNLESS OTHERWISE  
SPECIFIED



SCALE: 1:1

**SPECIFICATIONS:**

RATING: 16V DC @ 8A  
 CONTACT RESISTANCE: 30m OHMS MAX  
 INSULATION RESISTANCE: 100M OHMS MIN: 500V DC  
 VOLTAGE WITHSTAND: 500V AC R.M.S. FOR 1 MINUTE  
 OPERATING TEMP: -25° ~ +70°C  
 LIFE: 5,000 CYCLES

		MATERIAL	PLATING
①	TIP INSULATOR	PBT	black color
②	PIN	Brass	Nickel
③	BARREL	P-Bronze	Nickel
④	TERMINALS	Brass	Nickel
⑤	COVER	ABS	black color



20050 SW 112th Ave.  
 Tualatin, OR 97062  
 Phone: 503-612-2300  
 800-275-4899  
 Fax: 503-612-2383  
 Website: www.cui.com

TITLE: DC POWER JACK		REV: C
PART NO. PP3-002AH		UNITS: MM [INCHES]
DRAWN BY: ZRJ	APPROVED BY:	SCALE: 3:1

PC FILE NAME:  
PP3-002AH

COPYRIGHT 2010 BY CUI INC.