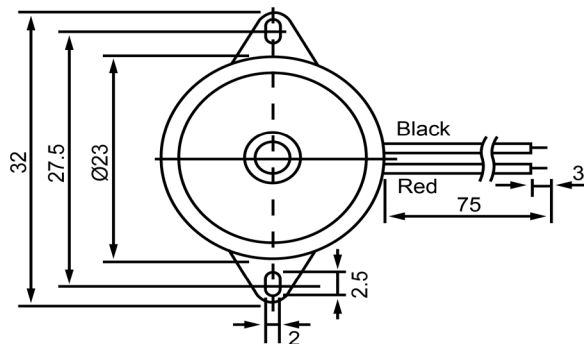
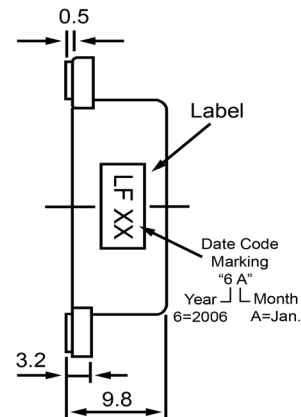



TOP VIEW



SIDE VIEW



Specifications			Notes	Revision History					
Description	Value	Unit		Version	Description	Date	Approved		
Technology	Piezo		1) All dimensions are in mm unless otherwise noted 2) All parts meet RoHS 	1	Released from Engineering	10/21/2013	J.S		
Resonant Frequency	3,500	(Hz)							
Rated Voltage	12	(V)							
SPL @ 10cm	95	(dBA)							
Tone	Single								
Mount Type	Flange								
Voltage Range	3 ~ 28	(V)							
Max Rated Current	10	(mA)							
Housing Material	ABS								
Operating Temperature	-25 ~ +65	°C							
Storage Temperature	-25 ~ +65	°C							
Weight	3.5	(g)							
				Drawn by: A.B. Date: 10/21/2013 Checked by: C.E. Date: 10/21/2013 Approved by: J.S Date: 10/21/2013					
				Piezo Indicator			IP233512-2		