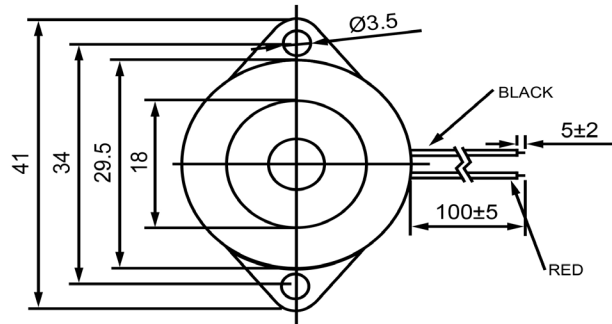


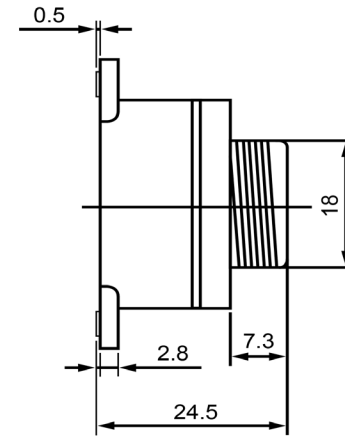
TOP VIEW





SIDE VIEW (1)



SIDE VIEW (2)



Specifications			Notes	Revision History							
Description	Value	Unit		Version	Description	Date	Approved				
Technology	Piezo		1) All dimensions are in mm unless otherwise noted 2) All parts meet RoHS	1	Released from Engineering	10/21/2013	J.S				
Resonant Frequency	3,500	(Hz)									
Rated Voltage	12	(V)									
SPL @ 10cm	105	(dBA)									
Tone	Single										
Mount Type	Flange Mount										
Voltage Range	3 ~ 28	(V)									
Max Rated Current	15	(mA)									
Housing Material	ABS										
Operating Temperature	-20 ~ +60	°C									
Storage Temperature	-30 ~ +70	°C									
Weight	15	(g)									
						Drawn by	Date	Checked by	Date	Approved by	Date
						A.B.	10/21/2013	C.E.	10/21/2013	J.S	10/21/2013
						IP293512-1					