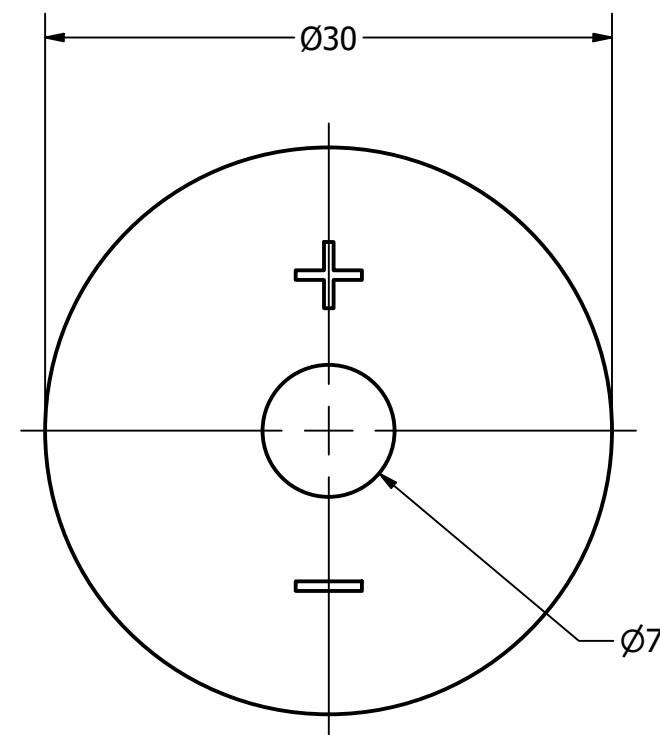
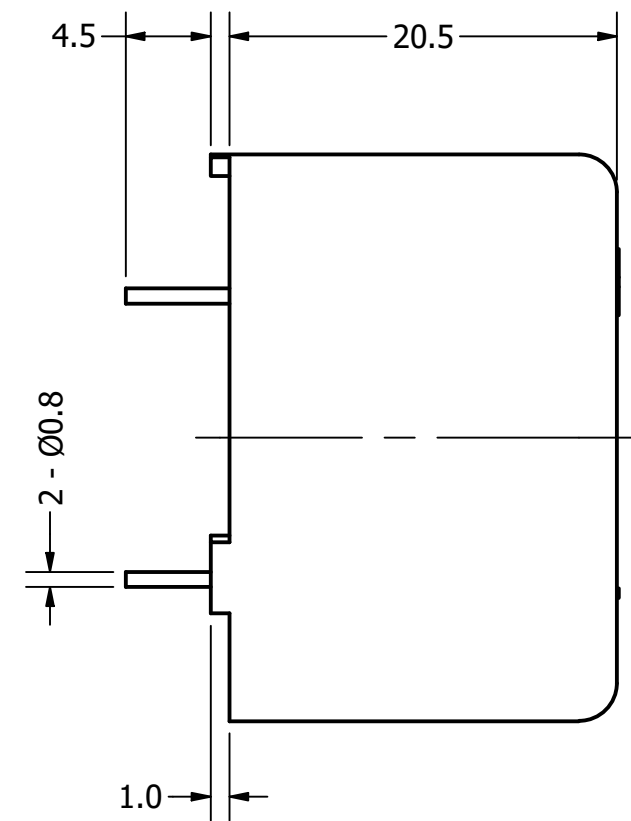


Part Number:	IP303509-1	
	DRAWN CJ	8/21/2018
Description:	CHECKED P.D.	8/21/2018
	APPROVED C.E.	8/21/2018
	This document contains data proprietary to DB Unlimited. Any use or reproduction, in any form, without prior written permission of DB Unlimited is prohibited. All terms and conditions can be found at www.dbunlimitedco.com	

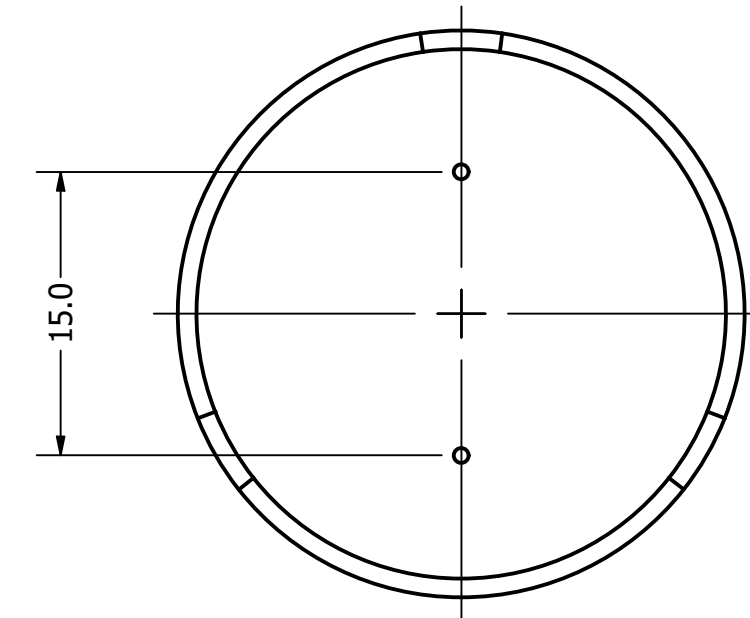
Top View



Side View



Bottom View



Items	Specifications	Conditions	REVISION HISTORY			
Min. Sound Pressure Level	100 (9 V), 105 (12 V)	dB (@ 10cm)	REV	DESCRIPTION	DATE	APPROVED
Typical Sound Pressure Level	90 (9 V), 93 (12 V)	dB (@ 100cm)	1	Released from Engineering	10/21/2013	J.S.
Tone	Single		2	Add pin spacing, updated SPL and drawing template	8/21/2018	C.E.
Resonant Frequency	3,500	Hz		Added typical SPL	8/22/2018	C.E.
Rated Voltage	9	V	NOTES			
Voltage Range	3 ~ 24	V	1) All dimensions are in mm unless otherwise noted			
Max. Rated Current	20	mA	2) All tolerances are ± 0.5 mm unless otherwise noted			
Storage Temperature	-40 ~ +85	$^{\circ}\text{C}$	3) All parts meet RoHS			
Operating Temperature	-30 ~ +70	$^{\circ}\text{C}$	4) Subject to change or redrawn without notice			
Connection Method	PC Pins					
Mount Type	Thru Hole					
Housing Material	PBT					
Weight	8	g				