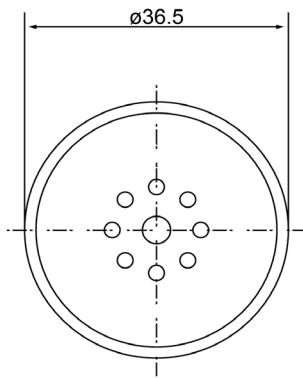
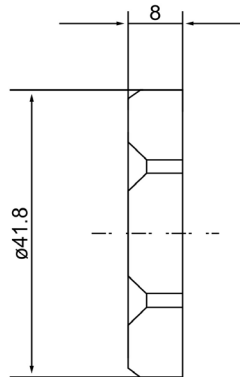


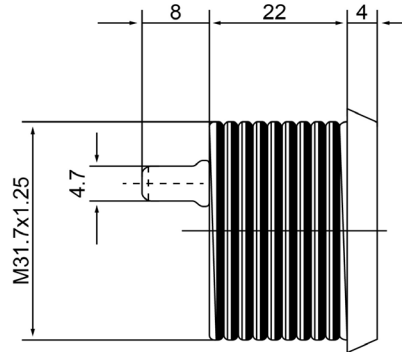
TOP VIEW



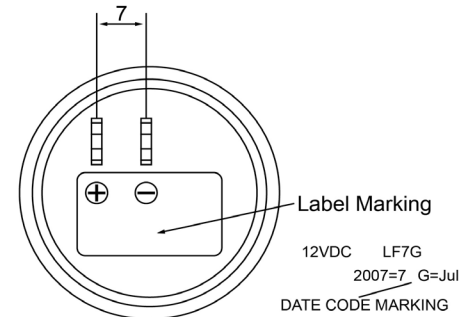
NUT



SIDE VIEW



BOTTOM VIEW



Specifications			Notes	Revision History					
Description	Value	Unit		Version	Description	Date	Approved		
Technology	Piezo		1) All dimensions are in mm unless otherwise noted 2) All parts meet RoHS	1	Released from Engineering	10/21/2013	J.S		
Resonant Frequency	3,000	(Hz)							
Rated Voltage	12	(V)							
SPL @ 10cm	85	(dBA)							
Tone	Fast Pulse								
Mount Type	Panel								
Voltage Range	5 ~ 28	(V)							
Max Rated Current	18	(mA)							
Housing Material	ABS								
Operating Temperature	-20 ~ +60	°C							
Storage Temperature	-30 ~ +70	°C							
Weight	35	(g)							
