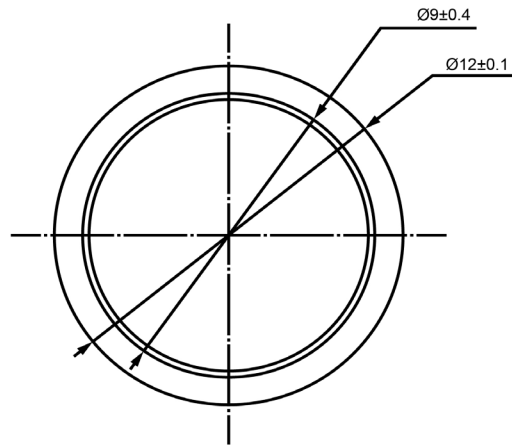
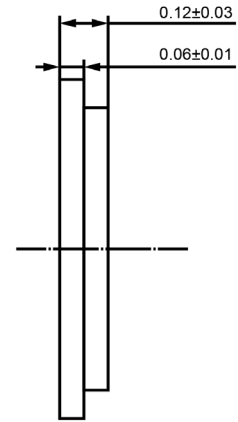



TOP VIEW



SIDE VIEW



Specifications			Notes	Revision History						
Description	Value	Unit		Version	Description	Date	Approved			
Resonant Frequency	6,000	(Hz)	1) All dimensions are in mm unless otherwise noted 2) All parts meet RoHS	1	Released from Engineering	10/21/2013	J.S			
Resonant Impedance (Max)	700	(Ohm)								
Max Input Voltage	30	(V)								
Capacitance	13,000	(pF)								
Plate Material	Brass									
Operating Temperature	-20 ~ +60	°C								
Storage Temperature	-20 ~ +70	°C								
			 DB UNLIMITED	Drawn by	Date	Checked by	Date	Approved by	Date	
				A.B.	10/21/2013	C.E.	10/21/2013	J.S	10/21/2013	
				Piezo Bender			P12060-1			