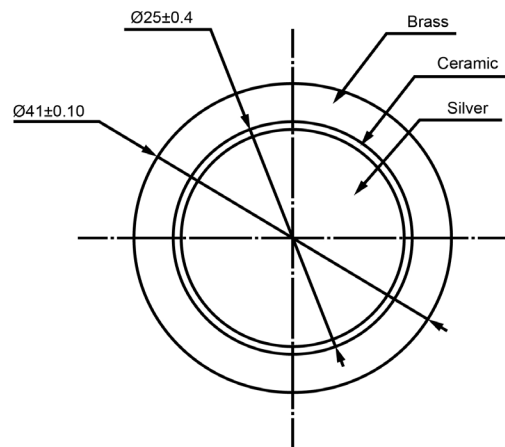
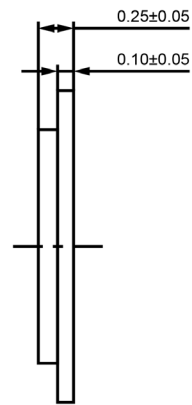


TOP VIEW



SIDE VIEW



**Specifications**

Description	Value	Unit
Resonant Frequency	1,000	(Hz)
Resonant Impedance (Max)	300	(Ohm)
Max Input Voltage	30	(V)
Capacitance	65,000	(pF)
Plate Material	Brass	
Operating Temperature	-20 ~ +60	°C
Storage Temperature	-20 ~ +70	°C

**Notes**

- 1) All dimensions are in mm unless otherwise noted
- 2) All parts meet RoHS



**Revision History**

Version	Description	Date	Approved		
1	Released from Engineering	10/21/2013	J.S		
Drawn by	Date	Checked by	Date	Approved by	Date
A.B.	10/21/2013	C.E.	10/21/2013	J.S	10/21/2013

DB UNLIMITED

**Piezo Bender**

**P41010-1**