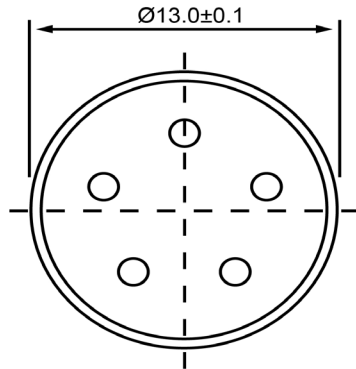
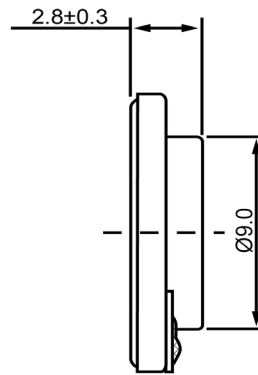


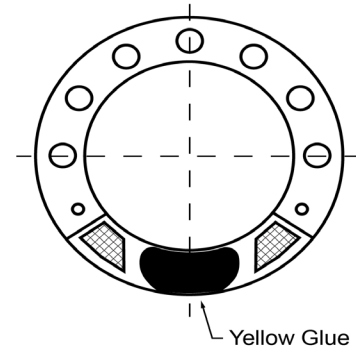
TOP VIEW





SIDE VIEW



BOTTOM VIEW



Specifications			Notes	Revision History					
Description	Value	Unit		Version	Description	Date	Approved		
Shape	Round		1) All dimensions are in mm unless otherwise noted 2) All parts meet RoHS	1	Released from Engineering	2/5/2014	J.S.		
Resonant Frequency	1,100	(Hz)							
Frequency Range	700 ~ 5,000	(Hz)							
SPL @ 10cm	85	(dBA)							
Impedance	8	(Ohm)							
Cone Material	Mylar								
Nominal Power	0.2	(W)							
Max Power	0.3	(W)							
Mount Type	Flush Mount								
Operating Temperature	-30 ~ +60	°C							
Storage Temperature	-30 ~ +60	°C							
Weight	0.8	(g)							
 DB UNLIMITED			 DB UNLIMITED			Dynamic Speaker		SM131108-1	
						Drawn by: G.W. Date: 1/27/2014 Checked by: C.E. Date: 2/4/2014 Approved by: J.S. Date: 2/5/2014			