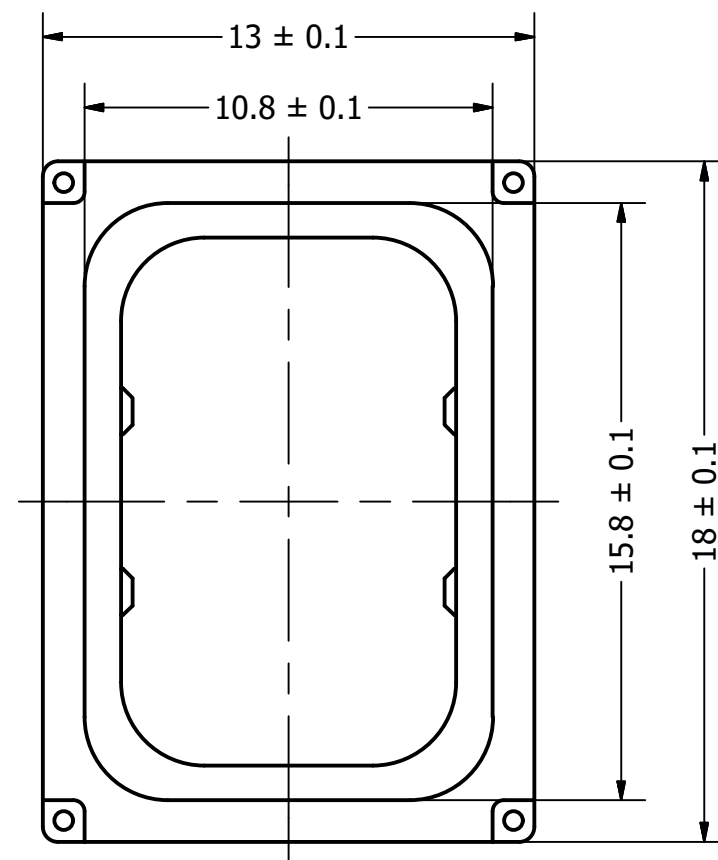
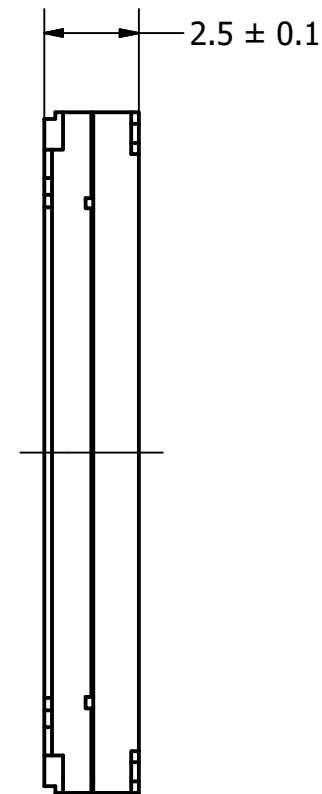


Part Number:	SM180808-5	
DRAWN	CJ	6/8/2017
CHECKED	P.D.	10/2/2017
Description:	Dynamic Speaker	APPROVED
	C.E.	10/2/2017
This document contains data proprietary to DB Unlimited. Any use or reproduction, in any form, without prior written permission of DB Unlimited is prohibited. All terms and conditions can be found at www.dbunlimitedco.com		

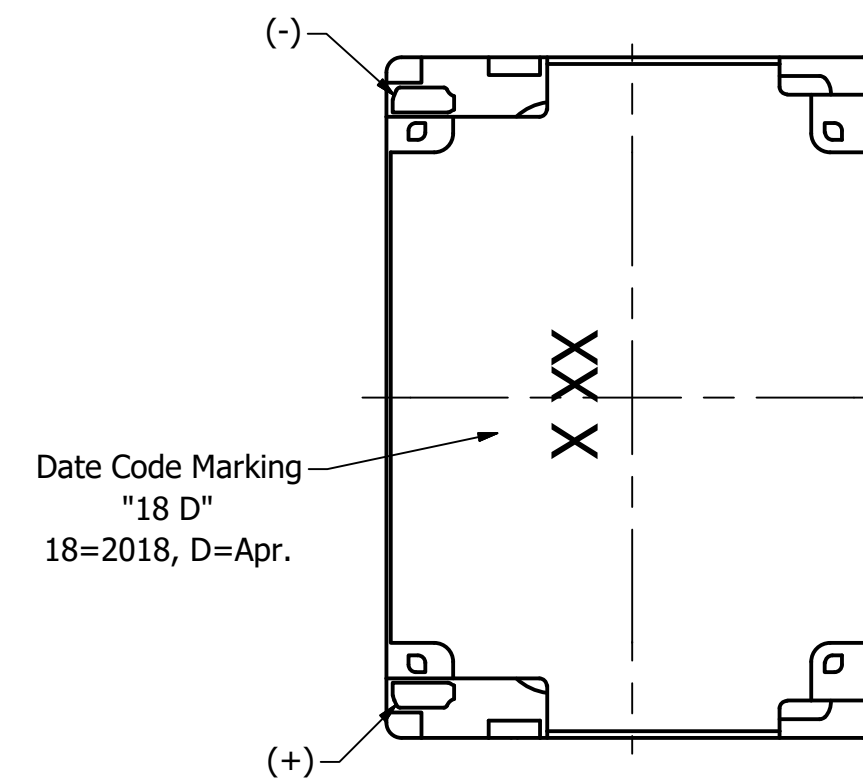
Top View



Side View



Bottom View



Items	Specifications	Conditions	REVISION HISTORY			
Sound Pressure Level	94	dB (@ 10cm)	REV	DESCRIPTION	DATE	APPROVED
Resonant Frequency	850	Hz	1	Released from Engineering	10/2/2017	C.E.
Frequency Range	850 ~ 10,000	Hz		Updated drawing, specs	4/11/2018	C.E.
Nominal Power	1	W	NOTES			
Max. Power	1.3	W	1) All dimensions are in mm unless otherwise noted			
Impedance	8	Ω	2) All tolerances are ± 0.2 mm unless otherwise noted			
Cone Material	Polymer		3) All parts meet RoHS			
Mount Type	Flush Mount		4) Subject to change or redrawn without notice			
Storage Temperature	-40 ~ +85	°C				
Operating Temperature	-30 ~ +70	°C				
Weight	2.25	g				