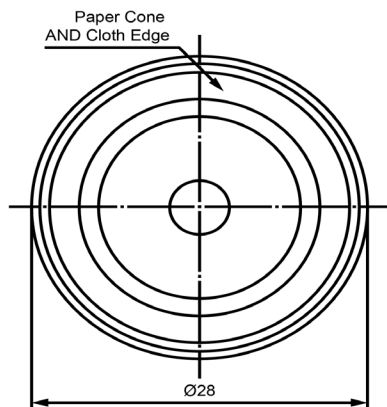
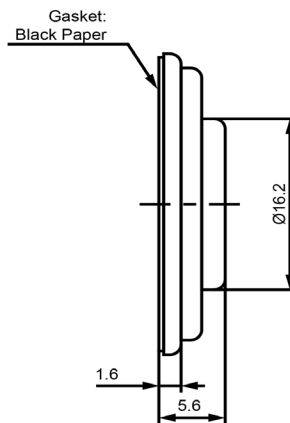


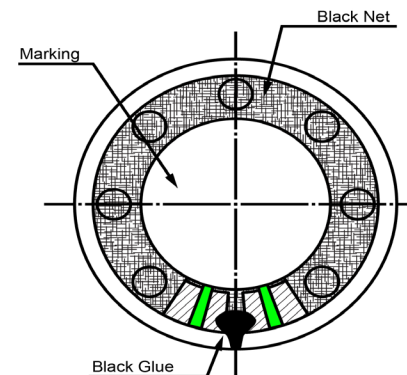
TOP VIEW



SIDE VIEW



BOTTOM VIEW



Specifications

| Description           | Value       | Unit  |
|-----------------------|-------------|-------|
| Shape                 | Round       |       |
| Resonant Frequency    | 550         | (Hz)  |
| Frequency Range       | 550 ~ 9,000 | (Hz)  |
| SPL @ 10cm            | 92          | (dBA) |
| Impedance             | 8           | (Ohm) |
| Cone Material         | Mylar       |       |
| Nominal Power         | 1.5         | (W)   |
| Max Power             | 3.0         | (W)   |
| Mount Type            | Flush Mount |       |
| Operating Temperature | -20 ~ +60   | °C    |
| Storage Temperature   | -30 ~ +60   | °C    |
| Weight                | 8.7         | (g)   |

Notes

- 1) All dimensions are in mm unless otherwise noted
- 2) All parts meet RoHS



Revision History

| Version  | Description               | Date       | Approved |             |          |
|----------|---------------------------|------------|----------|-------------|----------|
| 1        | Released from Engineering | 2/5/2014   | J.S.     |             |          |
|          |                           |            |          |             |          |
|          |                           |            |          |             |          |
|          |                           |            |          |             |          |
|          |                           |            |          |             |          |
|          |                           |            |          |             |          |
|          |                           |            |          |             |          |
|          |                           |            |          |             |          |
| Drawn by | Date                      | Checked by | Date     | Approved by | Date     |
| G.W.     | 1/27/2014                 | C.E.       | 2/4/2014 | J.S.        | 2/5/2014 |

Dynamic Speaker

SM280508-2