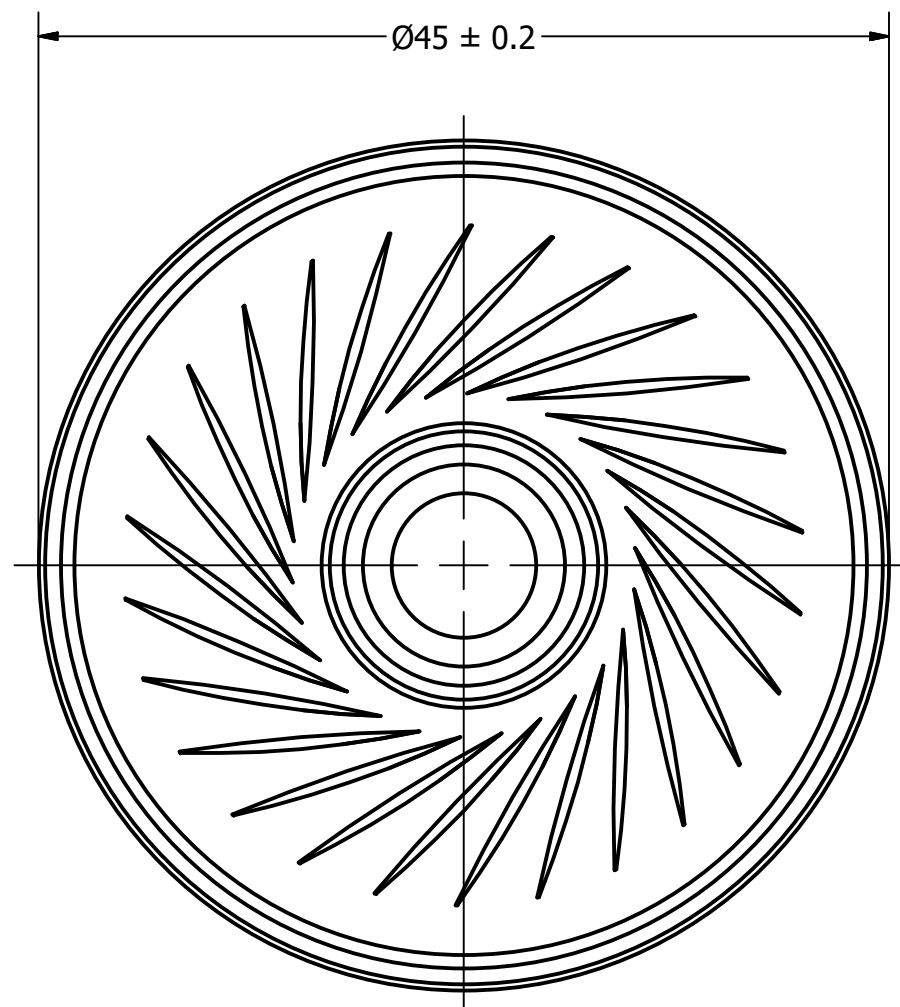
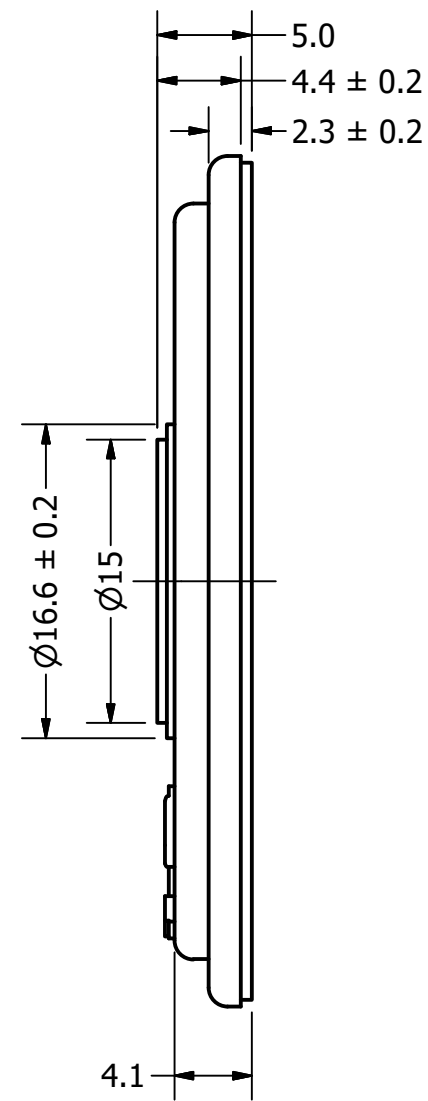


Part Number:	SM450408-2	
DRAWN	CJ	4/13/2018
CHECKED	C.H.	4/27/2018
Description:	Dynamic Speaker	
APPROVED	C.E.	4/27/2018
This document contains data proprietary to DB Unlimited. Any use or reproduction, in any form, without prior written permission of DB Unlimited is prohibited. All terms and conditions can be found at <a href="http://www.dbunlimitedco.com">www.dbunlimitedco.com</a>		

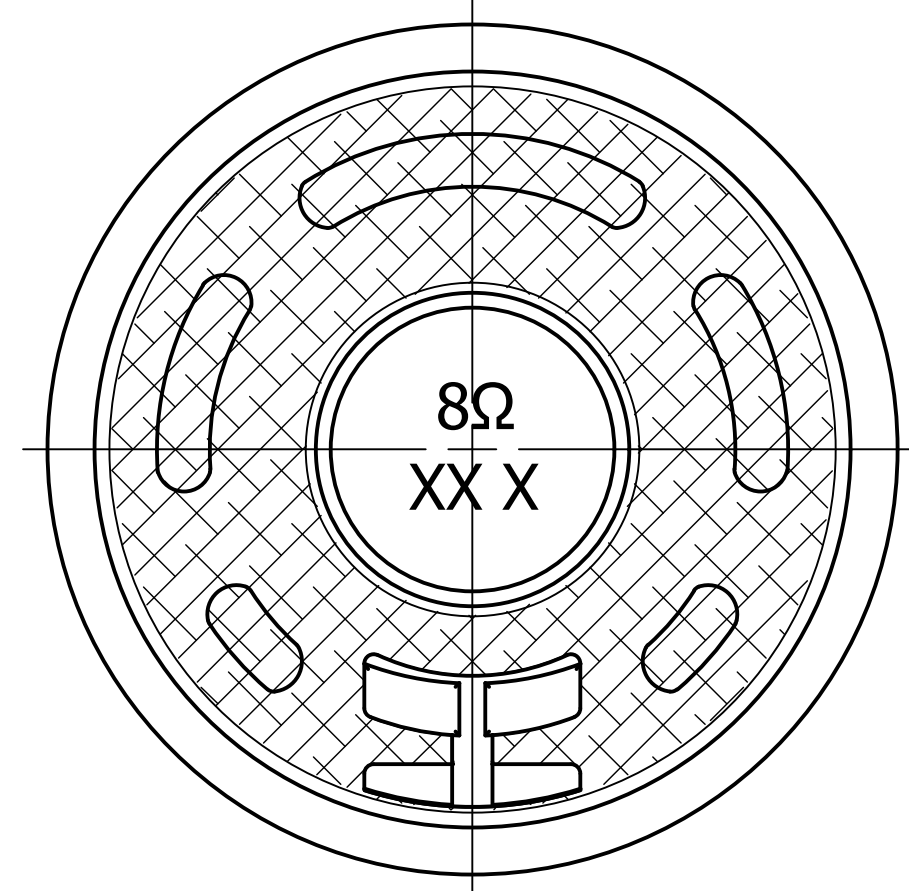
Top View



Side View



Bottom View



Items	Specifications	Conditions
Sound Pressure Level	90	dB (@ 10cm), Avg.
Resonant Frequency	450	Hz
Frequency Range	450 ~ 10,000	Hz
Nominal Power	2	W
Max. Power	3	W
Impedance	8	$\Omega$
Cone Material	Mylar	
Mount Type	Flush Mount	
Storage Temperature	-20 ~ +55	$^{\circ}\text{C}$
Operating Temperature	-20 ~ +55	$^{\circ}\text{C}$
Weight	10.8	g

REVISION HISTORY			
REV	DESCRIPTION	DATE	APPROVED
	Released from Engineering	4/27/2018	C.E.

NOTES	
1)	All dimensions are in mm unless otherwise noted
2)	All tolerances are $\pm 0.3$ mm unless otherwise noted
3)	All parts meet RoHS
4)	Subject to change or redrawn without notice