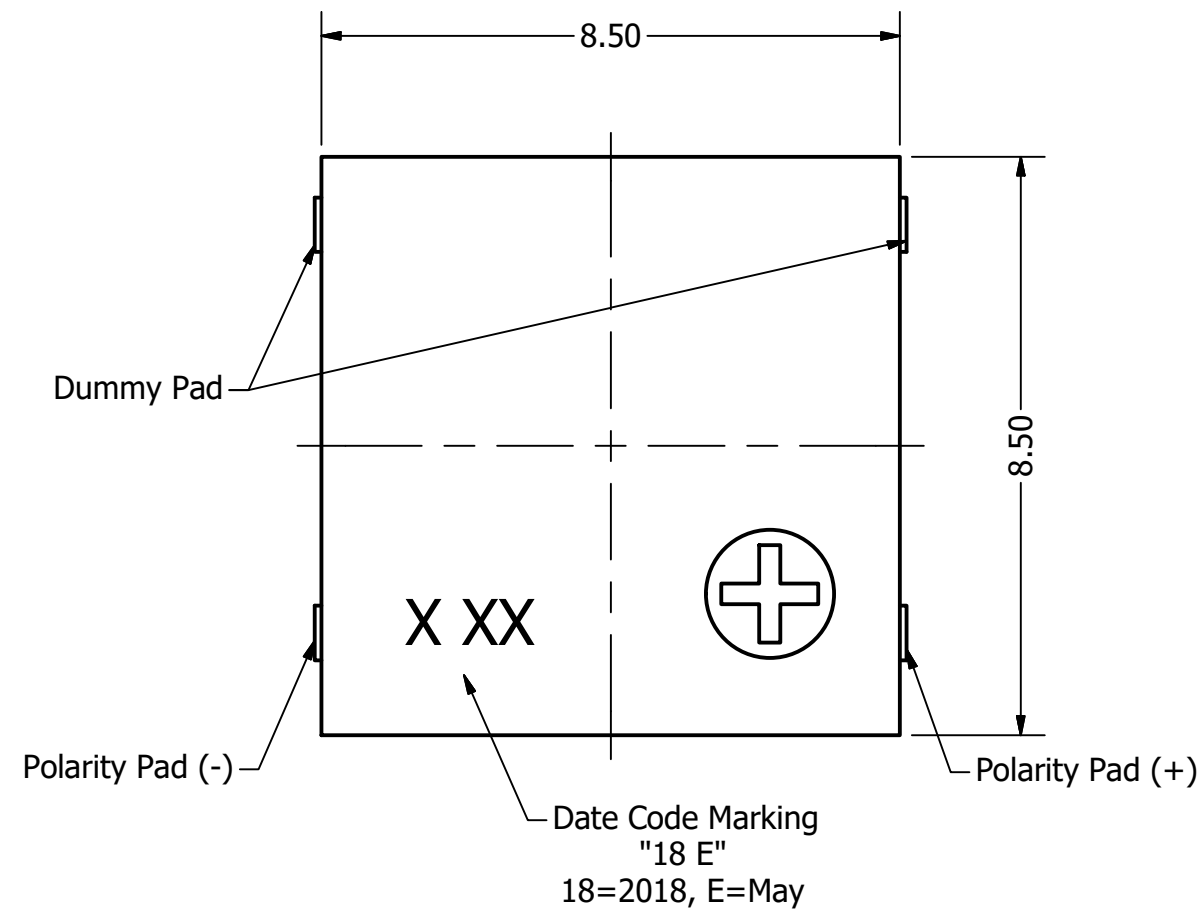
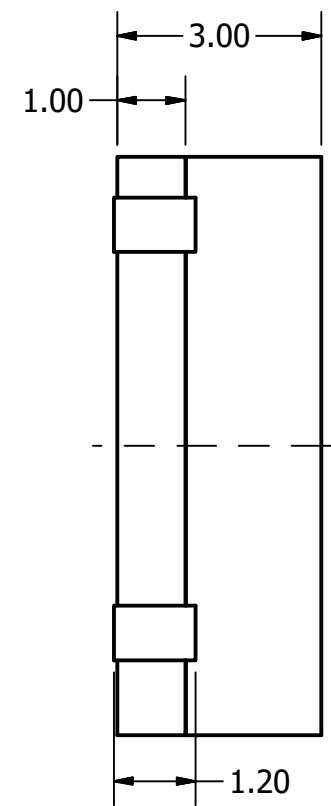


Part Number:	<b>TE082603-2</b>	
DESCRIPTION:	Electro-Mechanical Transducer	
DRAWN	CJ	5/4/2018
CHECKED	C.H.	5/4/2018
APPROVED	C.E.	5/4/2018
This document contains data proprietary to DB Unlimited. Any use or reproduction, in any form, without prior written permission of DB Unlimited is prohibited. All terms and conditions can be found at <a href="http://www.dbunlimitedco.com">www.dbunlimitedco.com</a>		

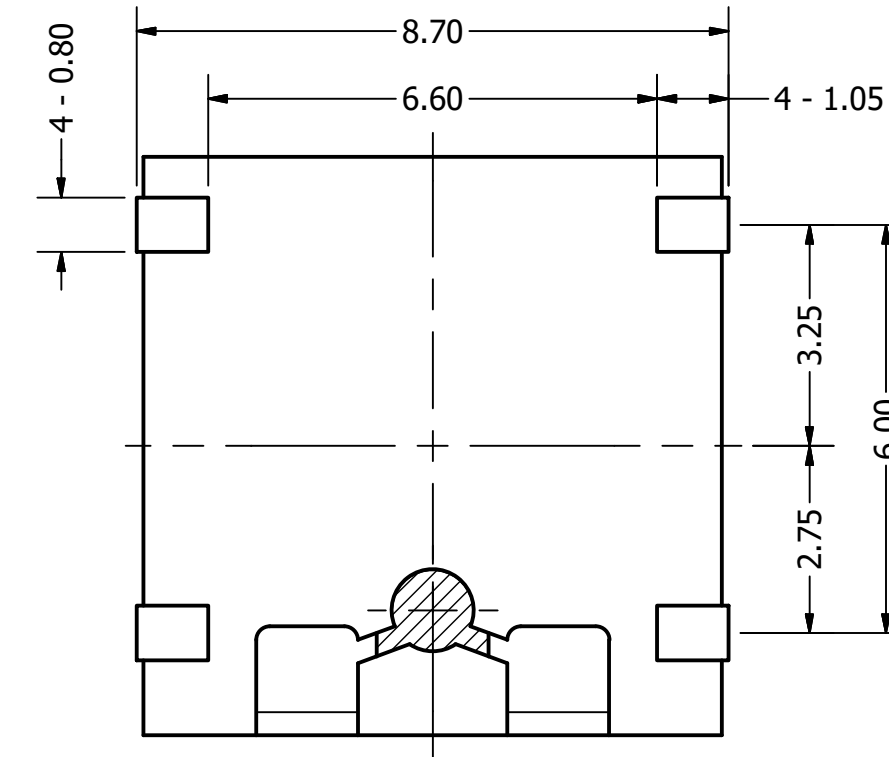
Top View



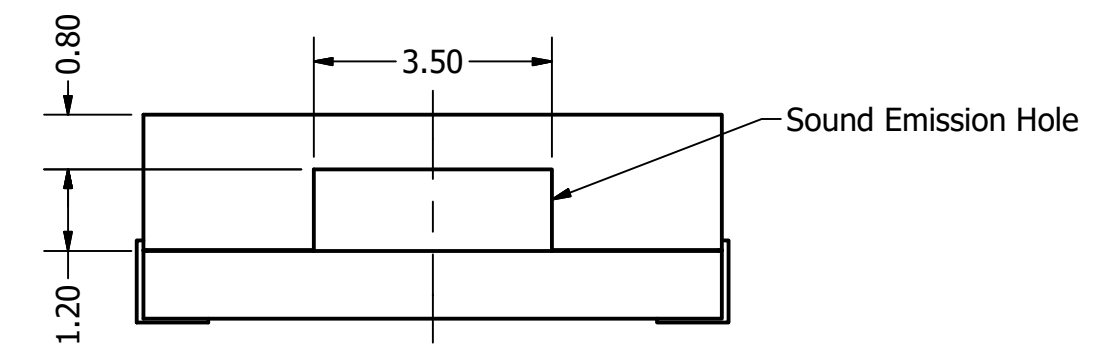
Side View (1)



Bottom View



Side View (2)



Items	Specifications	Conditions
Min. Sound Pressure Level	90	dBA (@ 10cm)
Resonant Frequency	2,670	Hz
Rated Voltage	3.6	V
Voltage Range	2.5 ~ 4.5	V
Coil Resistance	16 ± 2.4	Ω
Max. Rated Current	90	mA
Storage Temperature	-40 ~ +85	°C
Operating Temperature	-40 ~ +85	°C
Connection Method	SMD	
Mount Type	Surface Mount	
Housing Material	LCP	
Weight	0.4	g

REVISION HISTORY

REV	DESCRIPTION	DATE	APPROVED
	Released from Engineering	10/21/2013	J.S.
1	Updated voltage range, temperatures, and template	5/4/2018	C.E.

NOTES

- 1) All dimensions are in mm unless otherwise noted
- 2) All tolerances are ± 0.2 mm unless otherwise noted
- 3) All parts meet RoHS
- 4) Subject to change or redrawn without notice