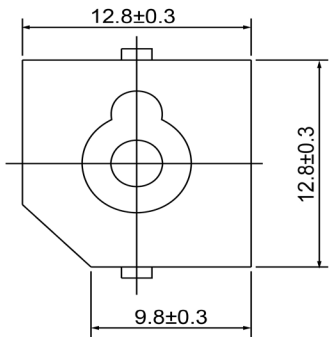
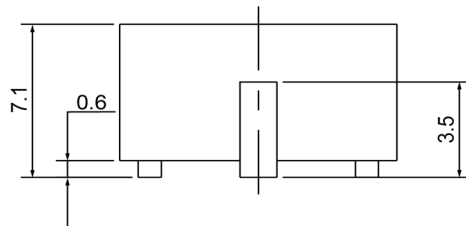


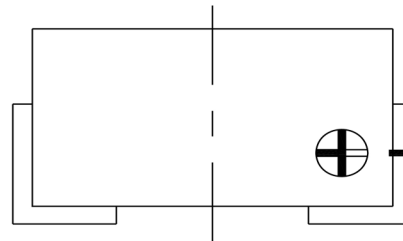
TOP VIEW



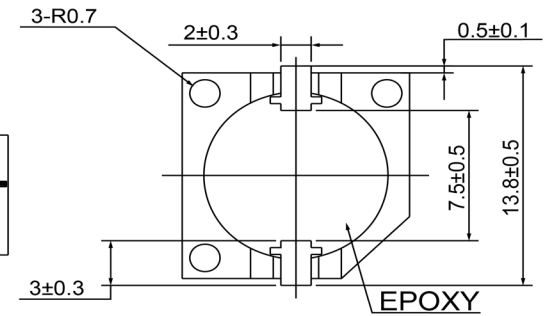
SIDE VIEW (1)



SIDE VIEW (2)



BOTTOM VIEW



Specifications			Notes	Revision History					
Description	Value	Unit		Version	Description	Date	Approved		
Technology	Electro-Mechanical		1) All dimensions are in mm unless otherwise noted 2) All parts meet RoHS	1	Released from Engineering	10/21/2013	J.S		
Resonant Frequency	2,400	(Hz)							
Rated Voltage	12	(V)							
SPL @ 10cm	85	(dBA)							
Coil Resistance	140	(ohm)							
Mount Type	Surface Mount								
Voltage Range	8 ~ 16	(V)							
Max Rated Current	40	(mA)							
Housing Material	PPS								
Operating Temperature	-30 ~ +70	°C							
Storage Temperature	-40 ~ +85	°C							
Weight	2	(g)							



Electro-Mechanical Transducer

TE122412-5