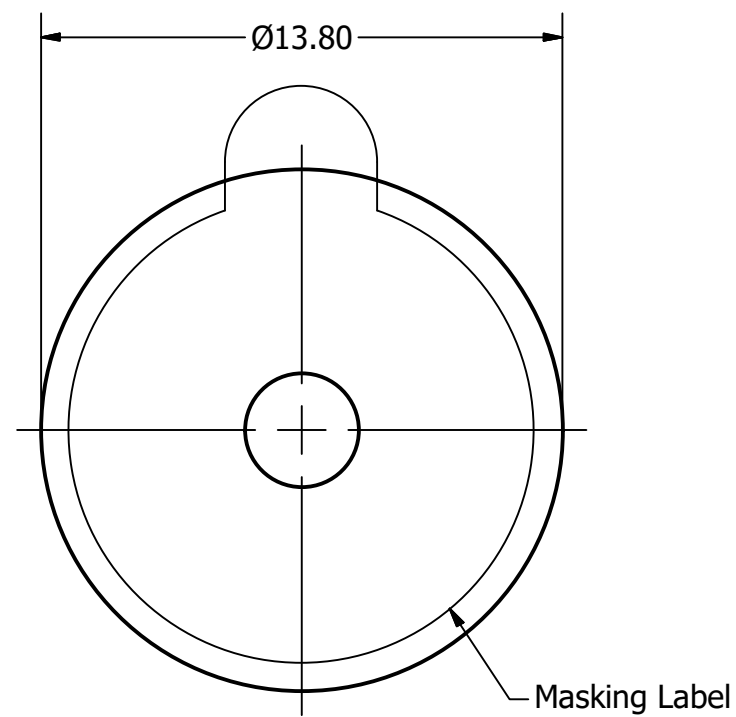
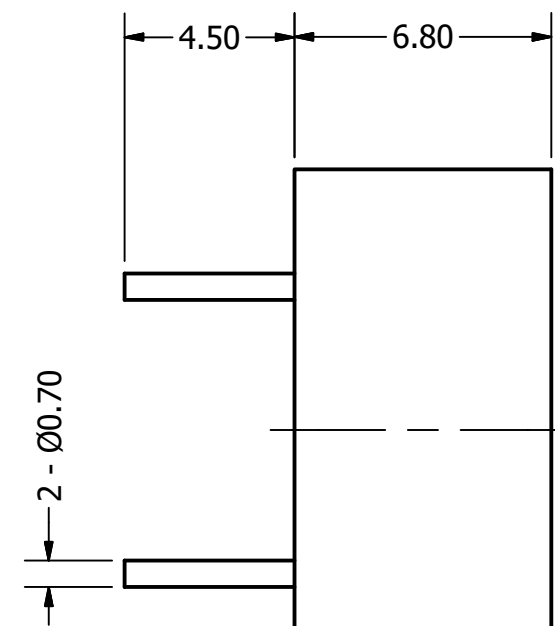


Part Number:	TP134005-1	
	DRAWN CJ	10/7/2016
Description:	Piezo Transducer	
	CHECKED P.D.	10/7/2016
	APPROVED J.S.	10/7/2016
This document contains data proprietary to DB Unlimited. Any use or reproduction, in any form, without prior written permission of DB Unlimited is prohibited. All terms and conditions can be found at www.dbunlimitedco.com		

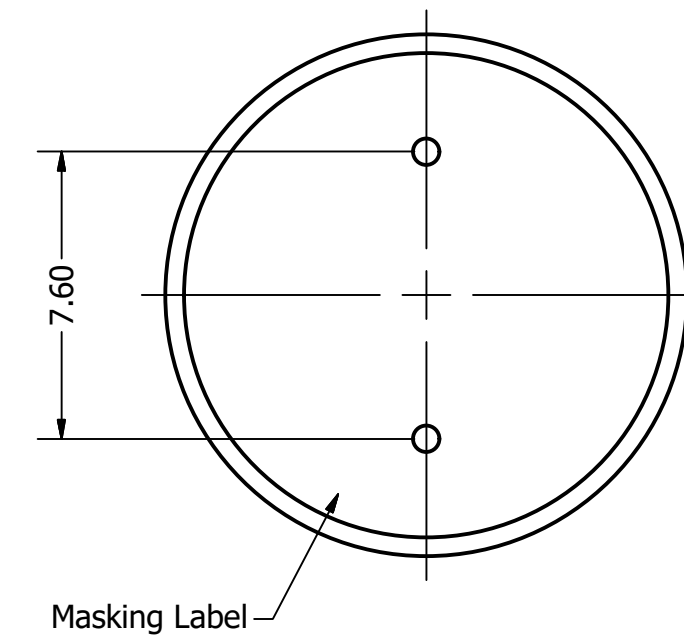
Top View



Side View



Bottom View



Items	Specifications	Conditions	REVISION HISTORY			
Sound Pressure Level	80	dB (@ 10cm)	REV	DESCRIPTION	DATE	APPROVED
Resonant Frequency	4,000	Hz	1	Released from Engineering	10/21/2013	J.S.
Rated Voltage	5	V		Updated to new template	10/7/2016	J.S.
Voltage Range	1 ~ 20	V	NOTES			
Capacitance	13,000	pF	1) All dimensions are in mm unless otherwise noted			
Max. Rated Current	1	mA	2) All tolerances are ± 0.5 mm unless otherwise noted			
Storage Temperature	-30 ~ +80	°C	3) All parts meet RoHS			
Operating Temperature	-20 ~ +70	°C	4) Subject to change or redrawn without notice			
Connection Method	PC Pins					
Mount Type	Thru Hole					
Housing Material	Noryl					
Weight	1	g				