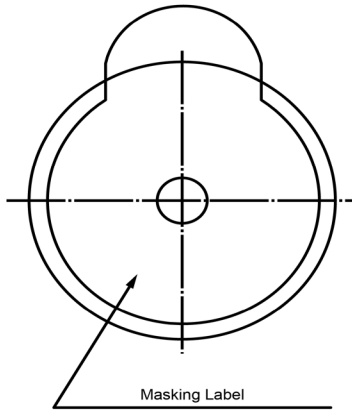
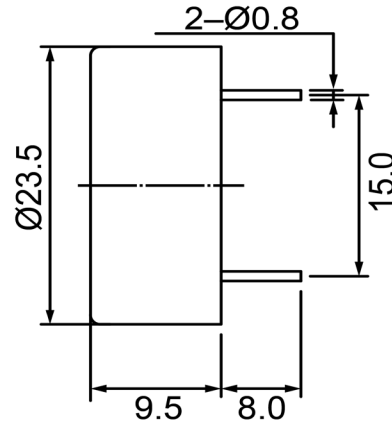


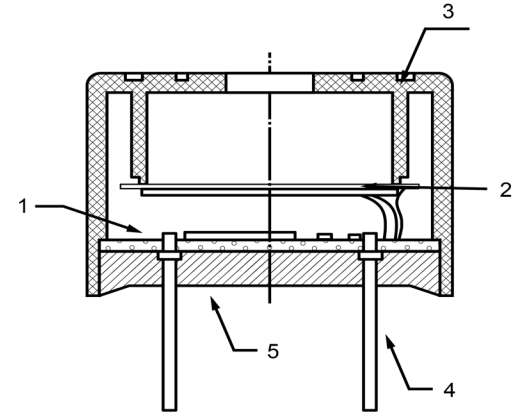
TOP VIEW





SIDE VIEW (1)



SIDE VIEW (2)



Specifications			Notes	Revision History							
Description	Value	Unit		Version	Description	Date	Approved				
Technology	Piezo		1) All dimensions are in mm unless otherwise noted 2) All parts meet RoHS	1	Released from Engineering	10/21/2013	J.S				
Resonant Frequency	3,400	(Hz)									
Rated Voltage	12	(V)									
SPL @ 10cm	95	(dBA)									
Mount Type	Thru Hole										
Voltage Range	3 ~ 20	(V)									
Max Rated Current	10	(mA)									
Housing Material	NORYL										
Operating Temperature	-20 ~ +70	°C									
Storage Temperature	-30 ~ +80	°C									
Weight	3	(g)									
						<b>TP233412-1</b>					
										Drawn by	Date
						A.B.	10/21/2013	C.E.	10/21/2013	J.S	10/21/2013