



# SE SERIES TWO-STAGE HIGH PERFORMANCE IEC CONNECTOR FILTERS



## INTRODUCTIONS

1. A high performance two-stage filter with an IEC connector providing most effective EMI suppression.
2. All part numbers are UL recognized, CSA certified and VDE approved.

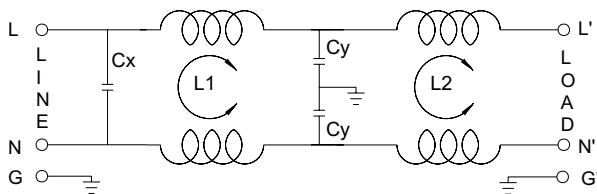
## COMPONENTS

PART NO.	L1 (mH)	L2 (mH)	Cx (uF)	Cy (pF)
01SEEG3H	3	1.1	0.1	3300
03SEEG3H				
06SEEG3H	1.5	0.5		

## MINIMUM INSERTION LOSS IN dB

COMMON MODE (L-G) IN 50 OHM SYSTEM						
CURRENT RATING	FREQUENCY-MHz					
	.15	.50	1.0	5.0	10	30
1A	40	65	65	70	65	55
3A	40	65	65	70	65	55
6A	25	50	60	70	65	55
DIFFERENTIAL MODE (L-L) IN 50 OHM SYSTEM						
1A	6	18	28	55	65	60
3A	6	18	28	55	65	60
6A	6	15	22	50	60	60

## ELECTRICAL SCHEMATIC



## MECHANICAL CONSTRUCTION



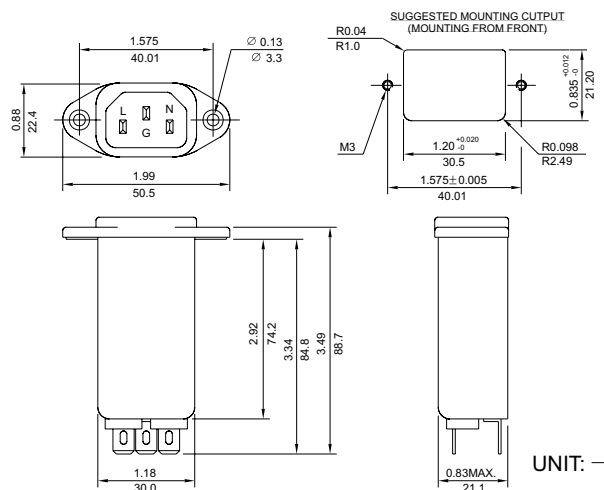
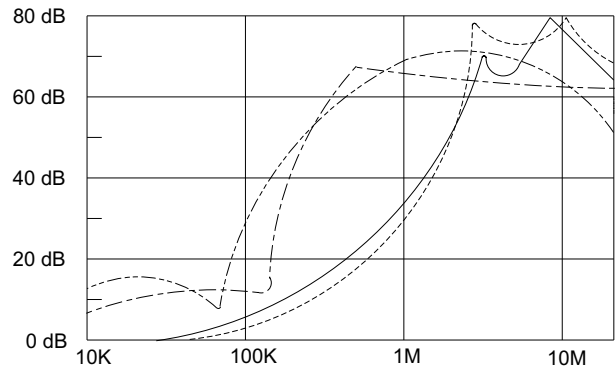
EG3H

## SPECIFICATIONS

1. Maximum leakage current each  
line-to-ground @ 115VAC 60Hz: 0.25mA  
@ 250VAC 50Hz: 0.45mA
2. Hipot rating (one minute)  
line-to-ground: 2250VDC  
line-to-line: 1450VDC
3. Operating frequency: 50/60Hz
4. Rated voltage: 115/250VAC

## INSERTION LOSS (TYPICAL)

03SEEG3H ----- COMMON MODE ----- DIFF. MODE  
06SEEG3H ----- COMMON MODE ----- DIFF. MODE



UNIT: INCH/mm