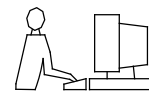
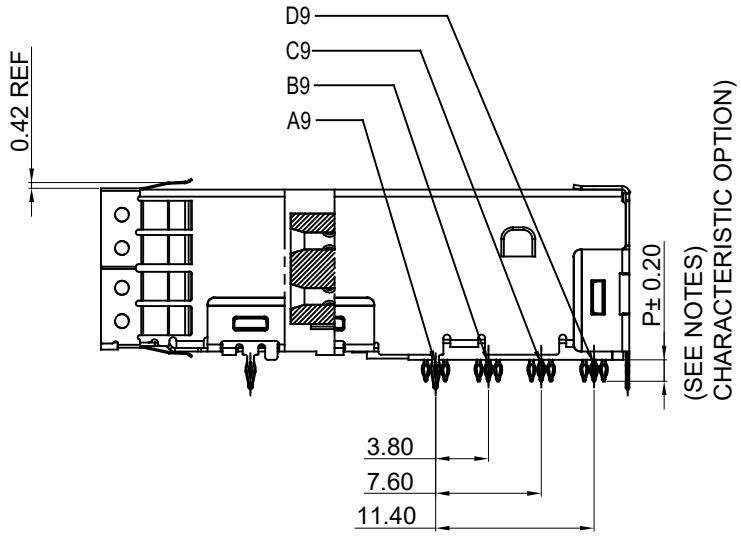
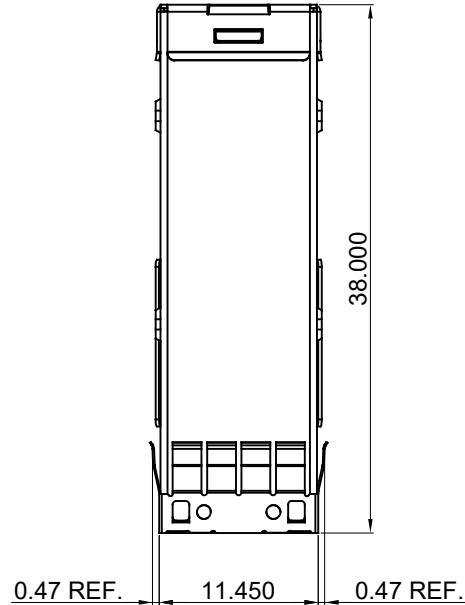


TOLERANCE UNLESS OTHERWISE SPECIFIED	
.X	±0.25
.XX	±0.15
.XXX	±0.10

THIS IS A C.A.D. GENERATED DRAWING  
DO NOT MAKE MANUAL REVISIONS TO MASTER.



ISSUE NUMBER  
ORIGINAL ①

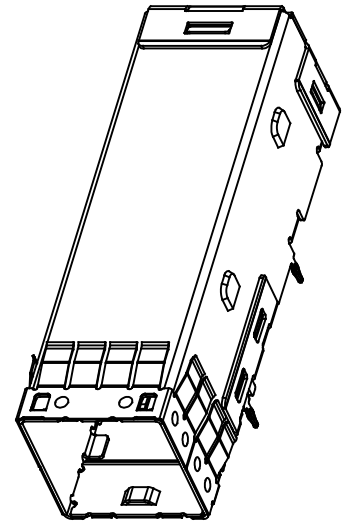
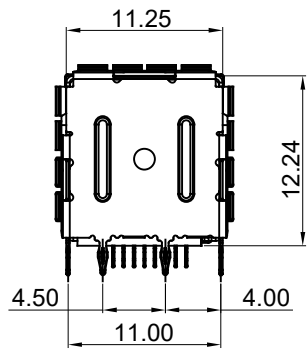
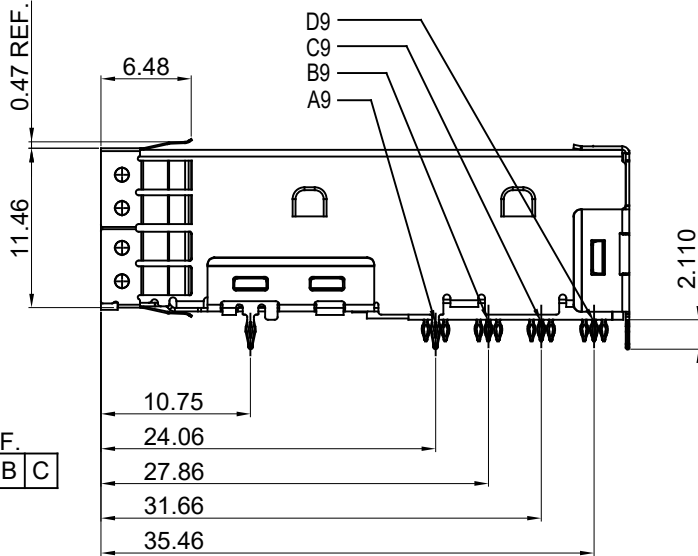
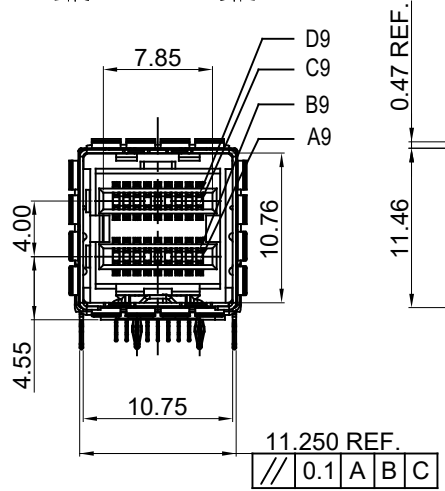


NOTES:

MATERIAL:  
HOUSING:  
CONTACT:

L.C.P SERIES, UL-94V-0  
COPPER ALLOY  
GOLD FLASH PLATING ON CONTACT AREA  
MATTE TIN PLATING ON SOLDER TAIL OVER  
NICKEL UNDER PLATING

(SEE NOTES)  
CHARACTERISTIC OPTION)



MINI SAS HD EXTERNAL, RIGHT ANGLE PRESS FIT,  
FEMALE, 36 CONTACTS

ACAD REFERENCE NO.: 904-036-225-002	
DRAWN: W.T	DATE: JUNE.28 /2018
CHECKED:	DATE:
SCALE: N.T.S	SHEET 1 OF 2
DRAWING NUMBER: 904-036-225-002	ISSUE
PART NUMBER: 904-036-225-002	1



THIS SERIES FULLY CONFORMS TO  
THE EUROPEAN UNION DIRECTIVES  
2011/65/EU FOR RoHS COMPLIANCY.



EDAC INC  
TORONTO, ONTARIO  
CANADA  
YOUR CONNECTION TO QUALITY & SERVICE

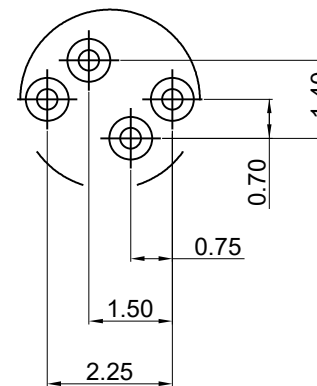
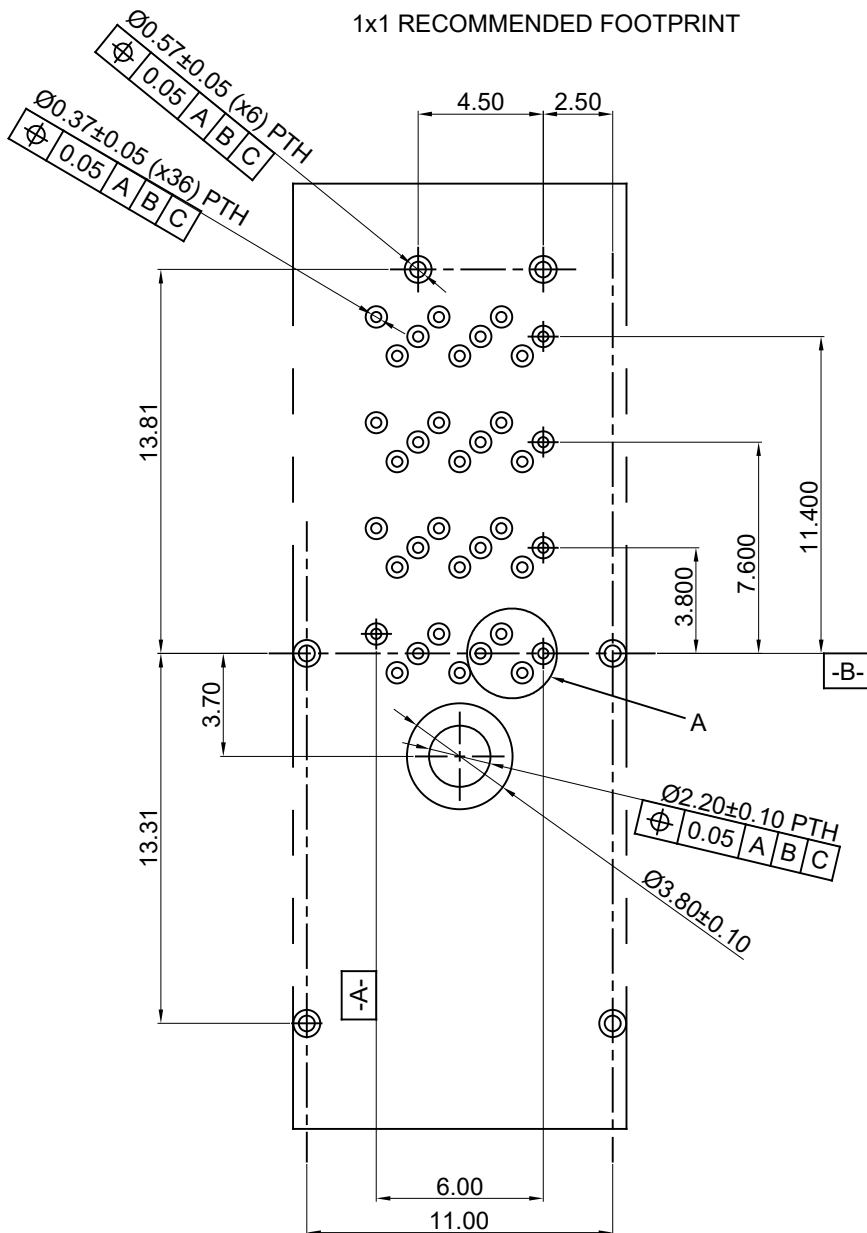
THESE DRAWINGS AND SPECIFICATIONS  
ARE THE PROPERTY OF EDAC INC., AND  
SHALL NOT BE REPRODUCED, OR COPIED  
OR USED AS THE BASIS FOR THE  
MANUFACTURE OR SALE OF APPARATUS  
WITHOUT WRITTEN PERMISSION.

THIS IS A C.A.D. GENERATED DRAWING  
DO NOT MAKE MANUAL REVISIONS TO MASTER.



TOLERANCE UNLESS OTHERWISE SPECIFIED	
.X	±0.25
.XX	±0.15
.XXX	±0.10

1x1 RECOMMENDED FOOTPRINT



DETAIL A  
SCALE 8:1

NOTES:

- MATERIAL:  
HOUSING: L.C.P SERIES, UL-94V-0  
CONTACT: COPPER ALLOY  
GOLD FLASH PLATING ON CONTACT AREA  
MATTE TIN PLATING ON SOLDER TAIL OVER  
NICKEL UNDER PLATING

MINI SAS HD EXTERNAL, RIGHT ANGLE PRESS FIT,  
FEMALE, 36 CONTACTS

ACAD REFERENCE NO.: 904-036-225-002	
DRAWN: W.T	DATE: JUNE.28 /2018
CHECKED:	DATE:
SCALE: N.T.S	SHEET 2 OF 2
DRAWING NUMBER: 904-036-225-002	ISSUE
PART NUMBER: 904-036-225-002	1



THIS SERIES FULLY CONFORMS TO  
THE EUROPEAN UNION DIRECTIVES  
2011/65/EU FOR RoHS COMPLIANCY.



EDAC INC  
TORONTO, ONTARIO  
CANADA  
YOUR CONNECTION TO QUALITY & SERVICE

THESE DRAWINGS AND SPECIFICATIONS  
ARE THE PROPERTY OF EDAC INC., AND  
SHALL NOT BE REPRODUCED, OR COPIED  
OR USED AS THE BASIS FOR THE  
MANUFACTURE OR SALE OF APPARATUS  
WITHOUT WRITTEN PERMISSION.