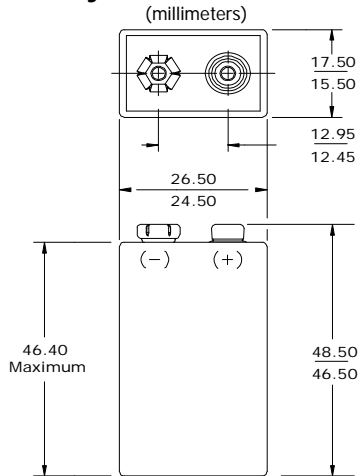


ENERGIZER NH22-175

9V

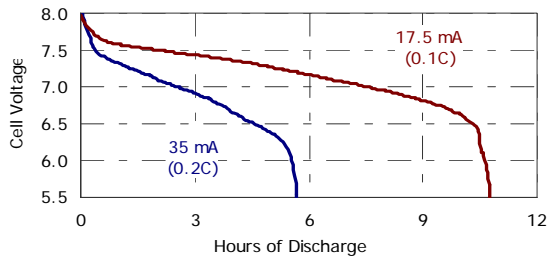


Industry Standard Dimensions

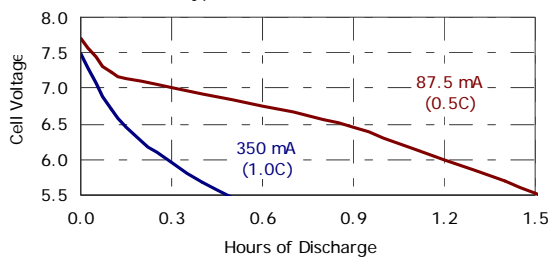


Typical Discharge Characteristics

Typical Performance at 21°C



Typical Performance at 21°C



Specifications

- Classification:** Rechargeable
- Chemical System:** Nickel-Metal Hydride (NiMH)
- Nominal Voltage:** 8.4 Volts
- Rated Capacity:** 175 mAh (to 5.5 volts)
Based on 35 mA (0.2C) discharge rate
- Typical Weight:** 42.0 grams
- Typical Volume:** 22.0 cubic centimeters
- Terminals:** Snap
- Jacket:** Plastic Label

Internal Resistance:

The internal resistance of the cell varies with state of charge, as follows:

Cell Charged	Cell 1/2 Discharged
1000 milliohms	1500 milliohms
(tolerance of ±20% applies to above values)	

AC Impedance (No Load):

The impedance of the charged cell varies with frequency, as follows:

Frequency (Hz)	Impedance (milliohms) (Charged Cell)
1000	950

Above values based on AC current set at 1.0 ampere.
Value tolerances are ±20%.

Operating and Storage Temperatures:

To maintain maximum performance, observe the following general guidelines regarding environmental conditions.

- Charge: 0°C to 40°C
- Discharge: 0°C to 50°C
- Storage: -20°C to 30°C
- Humidity: 65±20%

Operating at extreme temperatures, will significantly impact battery cycle life.

Important Notice

This datasheet contains typical information specific to products manufactured at the time of its publication.

©Energizer Holdings, Inc. - Contents herein do not constitute a warranty.