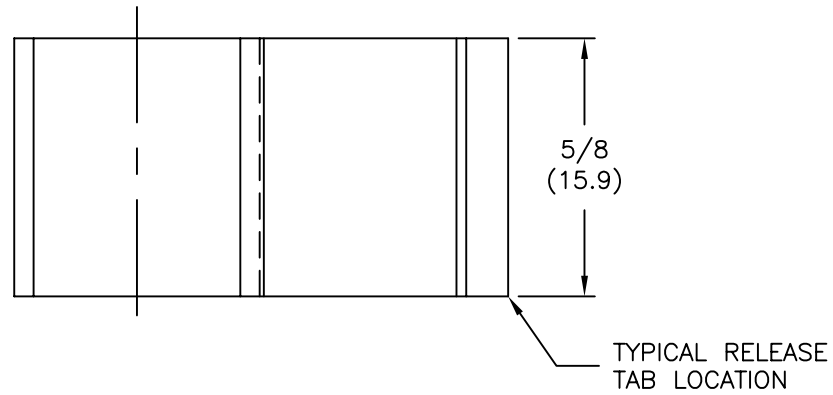
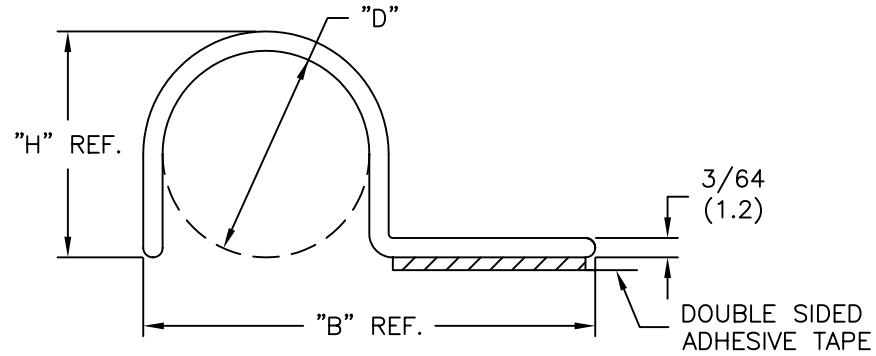


PART NO.	"D" BUNDLE DIA.	"B"	"H"
HUC-2-RT	1/8 (3.2)	23/32 (18.3)	11/64 (4.4)
HUC-4-RT	1/4 (6.4)	27/32 (21.4)	19/64 (7.5)
HUC-6-RT	3/8 (9.5)	31/32 (24.6)	27/64 (10.7)
HUC-8-RT	1/2 (12.7)	1-3/32 (27.8)	35/64 (13.9)



NOTES:

1. MAT'L: RIGID PVC (RMS-04)
2. COLOR: BLACK
3. TAPE: 1/32" THICK DOUBLE SIDED ADHESIVE (RMS-15)

TITLE: HALF "U" CLIP			DWG IN IN(MM)		FINAL		
C	COMPLETELY RE-DRAWN & CHANGED FILE #	S.M. 12.15.00	FILE # HUC	DWN: S.M.	APP:	PART # SEE TABLE	PRINT TYPE CA
B	CORRECTED TAPE THICKNESS TO 1/32"	JK 2.18.00	MAT'L: SEE NOTES	DT: 12/15/00	DT:		
A	ADDED NOTES, CORRECTED TAPE THICKNESS TO 1/16"	JK 2.10.00	RE: RICHCO, INC.	RICHCO INC. PO BOX 804238, CHICAGO, 60680 (773) 539-4060			
REV	DESCRIPTION	ENGR DATE	TOLERANCES UNLESS NOTED .XX=.020 .XXX=.015 FRAC=1/64 ANG=1°				