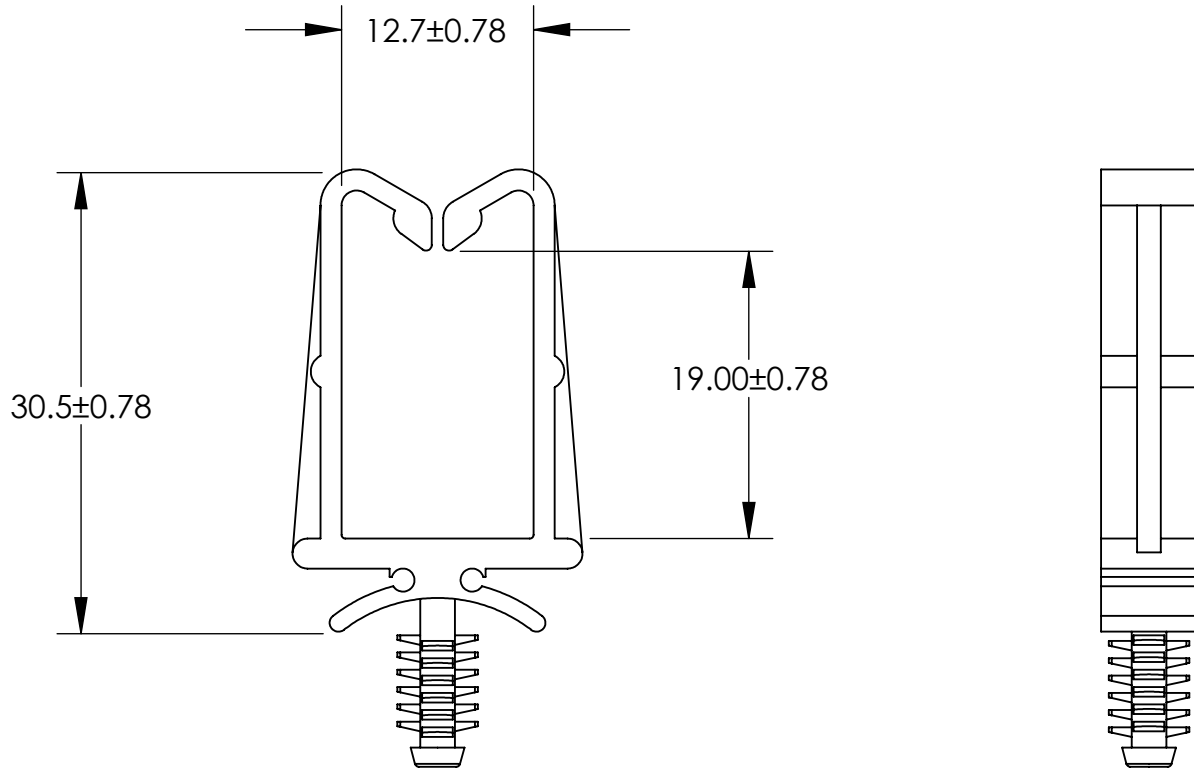


UNCONTROLLED DOCUMENT

NOTES:  
HOLE SIZE 5MM  
PANEL THICKNESS VARIABLE



ALL DIMENSIONS ARE IN MILLIMETERS  
TOLERANCES UNLESS NOTED

- ±.13MM ON DIMENSIONS THRU 15.88MM
- ±.20MM ON DIMENSIONS 15.89MM THRU 25.41MM
- ±.25MM ON DIMENSIONS 25.42MM THRU 38.10MM
- ±.38MM ON DIMENSIONS LARGER THAN 38.10MM

WE RESERVE THE RIGHT  
TO DISCONTINUE ITEMS,  
CHANGE SPECIFICATIONS  
OR DESIGN AT ANY TIME  
WITHOUT NOTICE AND  
WITHOUT INCURRING  
ANY OBLIGATIONS

PROPERTY OF  
**MICRO PLASTICS INC.**

CATALOG DRAWING  
WIRE-CABLE HOLDER  
MICRO P/N 22MWA127190  
DWG. # 22MWA127190  
FILE SERVER\ENG\WEB

MATERIAL: 6/6 NYLON

DATE	SCALE 2:1	<b>DSB</b>
------	--------------	------------