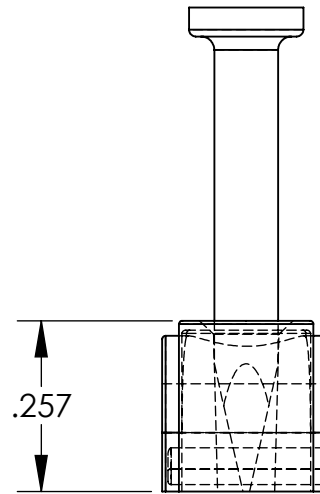
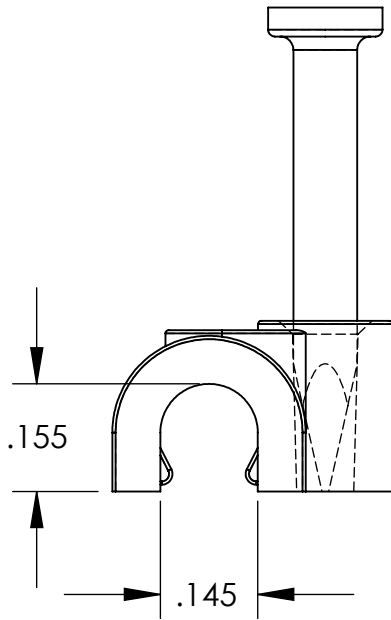


UNCONTROLLED DOCUMENT



MATERIALS:
 CLIPS: HIGH DENSITY POLYETHYLENE; BLACK
 NAILS: NICKEL PLATED STEEL
 PACKAGING 100 PCS

TOLERANCES UNLESS NOTED

- ±.005 ON DIMENSIONS THRU .625
- ±.008 ON DIMENSIONS .626 THRU 1.000
- ±.010 ON DIMENSIONS 1.001 THRU 1.500
- ±.015 ON DIMENSIONS LARGER THAN 1.500
- ±.015 ON FRACTIONAL DIMENSIONS

WE RESERVE THE RIGHT
 TO DISCONTINUE ITEMS,
 CHANGE SPECIFICATIONS
 OR DESIGN AT ANY TIME
 WITHOUT NOTICE AND
 WITHOUT INCURRING
 ANY OBLIGATIONS

PROPERTY OF		
MICRO PLASTICS INC.		
CATALOG DRAWING NAIL IN CABLE CLIP (SINGLE, ROUND CABLE) MICRO P/N 22NCC0400R DWG. # 22NCC0400R FILE SERVER\ENG\WEB		
MATERIAL:		AS NOTED
DATE	SCALE	DB
	3.5:1	