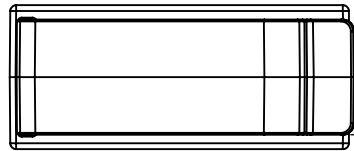
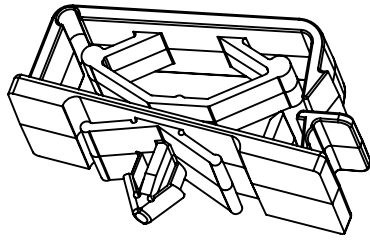


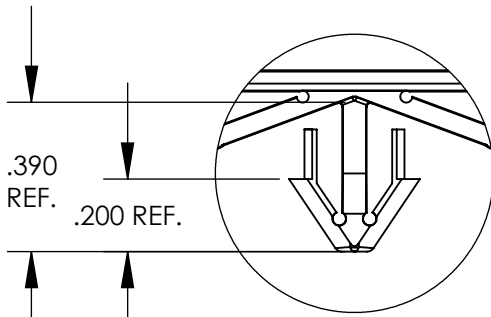
UNCONTROLLED DOCUMENT

NOTES:

1. MAX INSIDE WIDTH 1.250
2. MAX INSIDE HEIGHT .250
3. PANEL THICKNESS RANGE .080 / .150
4. HOLE SIZE .250



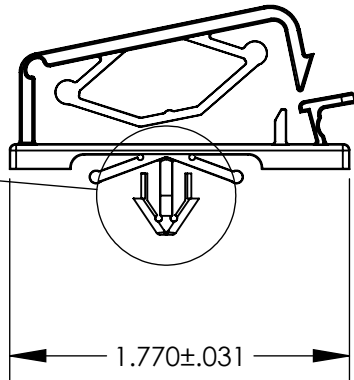
$.600 \pm .031$



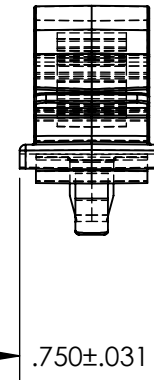
$.390$
REF.

$.200$
REF.

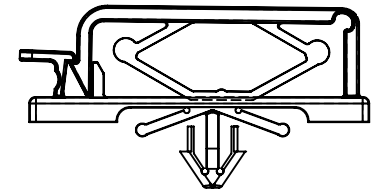
DETAIL A
SCALE 2 : 1



$1.770 \pm .031$



$.750 \pm .031$



TOLERANCES UNLESS NOTED

- $\pm .005$ ON DIMENSIONS THRU $.625$
- $\pm .008$ ON DIMENSIONS $.626$ THRU 1.000
- $\pm .010$ ON DIMENSIONS 1.001 THRU 1.500
- $\pm .015$ ON DIMENSIONS LARGER THAN 1.500
- $\pm .015$ ON FRACTIONAL DIMENSIONS

WE RESERVE THE RIGHT
TO DISCONTINUE ITEMS,
CHANGE SPECIFICATIONS
OR DESIGN AT ANY TIME
WITHOUT NOTICE AND
WITHOUT INCURRING
ANY OBLIGATIONS

PROPERTY OF
MICRO PLASTICS INC.

CATALOG DRAWING
FLAT WIRE PUSH MOUNT CLIP
MICRO P/N 22RCPM1250
DWG. # 22RCPM1250
FILE SERVER\ENG\WEB

MATERIAL: NYLON 6/6

DATE

SCALE
1:1

TA