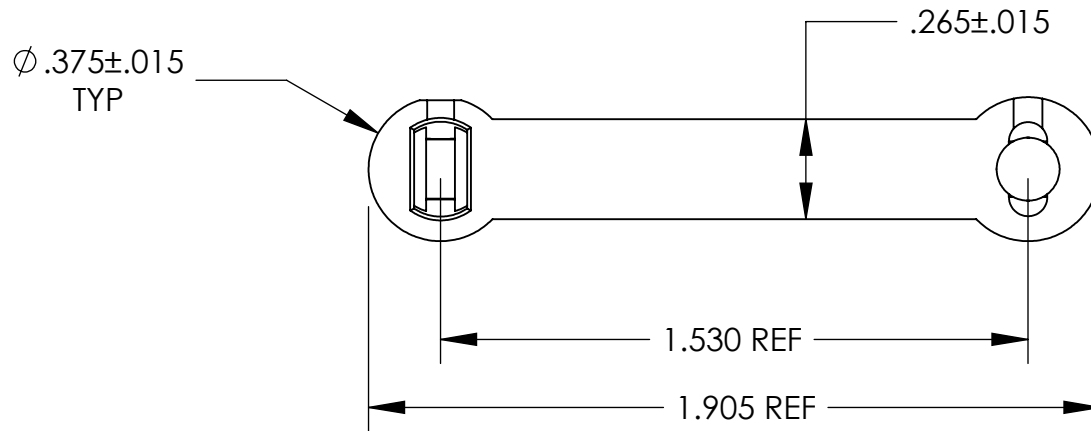
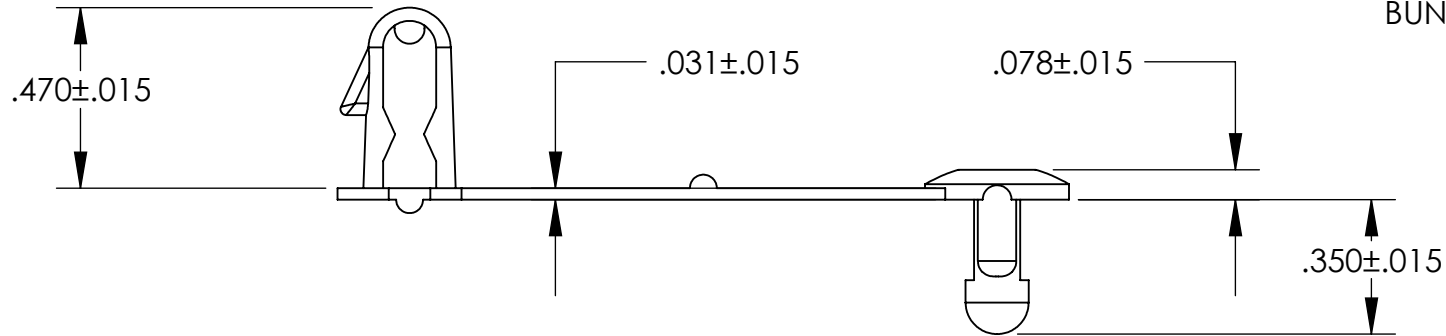


UNCONTROLLED DOCUMENT

NOTES:
 HOLE SIZE .250
 PANEL THICKNESS .187
 BUNDLE SIZE .312



TOLERANCES UNLESS NOTED

- $\pm .005$ ON DIMENSIONS THRU $.625$
- $\pm .008$ ON DIMENSIONS $.626$ THRU 1.000
- $\pm .010$ ON DIMENSIONS 1.001 THRU 1.500
- $\pm .015$ ON DIMENSIONS LARGER THAN 1.500
- $\pm .015$ ON FRACTIONAL DIMENSIONS

WE RESERVE THE RIGHT
 TO DISCONTINUE ITEMS,
 CHANGE SPECIFICATIONS
 OR DESIGN AT ANY TIME
 WITHOUT NOTICE AND
 WITHOUT INCURRING
 ANY OBLIGATIONS

PROPERTY OF
MICRO PLASTICS INC.

CATALOG DRAWING
 WIRE AND TUBE RETAINING STRAPS
 MICRO P/N 22WTR2500312
 DWG. # 22WTR2500312
 FILE SERVER\ENG\WEB

MATERIAL: 6/6 NYLON

DATE

SCALE
 2:1

DSB