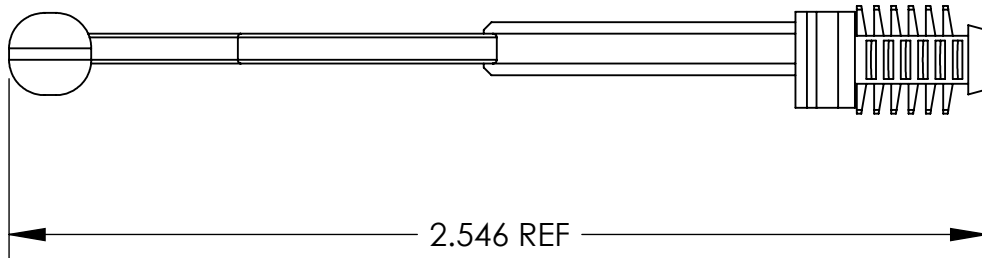
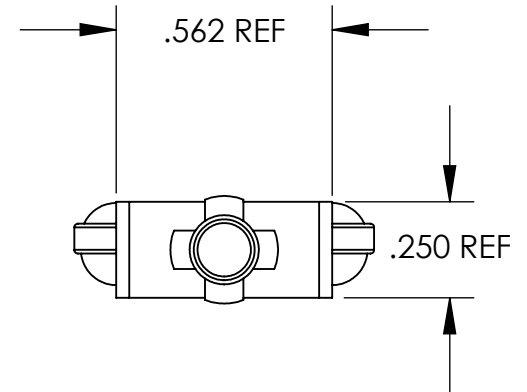
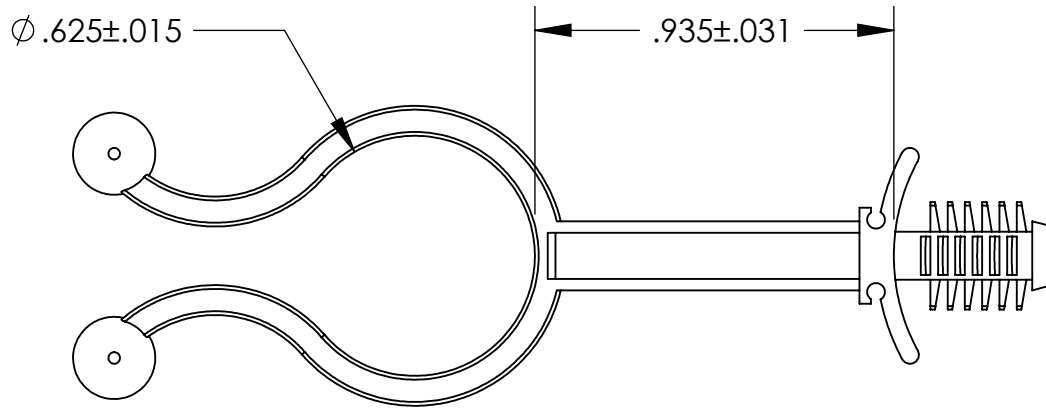


**UNCONTROLLED DOCUMENT**

NOTES:  
 MOUNTING HOLE  $\phi$ .250  
 PANEL RANGE .031 TO .250



**TOLERANCES UNLESS NOTED**

- ±.005 ON DIMENSIONS THRU .625
- ±.008 ON DIMENSIONS .626 THRU 1.000
- ±.010 ON DIMENSIONS 1.001 THRU 1.500
- ±.015 ON DIMENSIONS LARGER THAN 1.500
- ±.015 ON FRACTIONAL DIMENSIONS

WE RESERVE THE RIGHT  
 TO DISCONTINUE ITEMS,  
 CHANGE SPECIFICATIONS  
 OR DESIGN AT ANY TIME  
 WITHOUT NOTICE AND  
 WITHOUT INCURRING  
 ANY OBLIGATIONS

PROPERTY OF  
**MICRO PLASTICS INC.**

CATALOG DRAWING  
 "EZ" TWIST LOCK ON FIN CLIP BASE  
 MICRO P/N 23EZF062C100  
 DWG. # 23EZF062C100  
 FILE SERVER\ENG\WEB

MATERIAL: NYLON 6/6

DATE

SCALE  
 2:1

**SD**