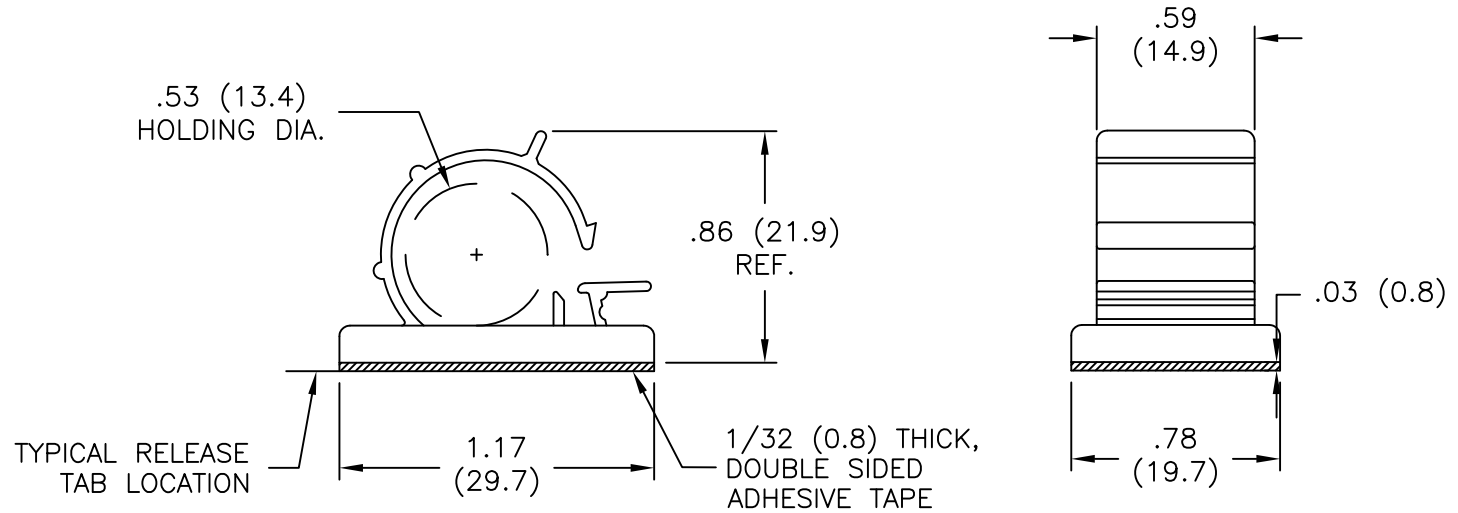


AVAILABLE BY SPECIAL ORDER ONLY



NOTES:

1. MATERIAL: NYLON 6/6 (RMS-01).
FLAME RETARDANT, NYLON (RMS-19) UL94 V-0,
AVAILABLE BY SPECIAL ORDER ONLY.
TO ORDER USE P/N KKLE-13M-19A-RT.
2. COLOR: NATURAL.
3. ACRYLIC ADHESIVE TAPE (RMS-324).

TITLE: K W I K K L I P			DWG IN IN (MM)	FINAL	
F	SEE CO 200604 FOR CHANGES	SK 12.01.10	FILE # KKLE-13M	DWN: J.B.	APP:
E	SEE CO 200424 FOR CHANGES	SK 08.28.09	MAT'L: SEE NOTES	DT: 12-18-96	DT:
D	SEE ECN #1052 FOR CHANGES	SK 09.09.05	RE: RICHCO, INC.	RICHCO INC. PO BOX 804238, CHICAGO, 60680 (773) 539-4060	
C	RMS-93 WAS RMS-15. SEE ECN #1004	SK 05.13.05	PART # KKLE-13M-01A-RT		
B	UPDATED NOTES	SM 03.13.02			
A	Mat'l RMS-19 ADDED	JL 7.24.00	PRINT TYPE CA		
REV	DESCRIPTION	ENGR DATE			