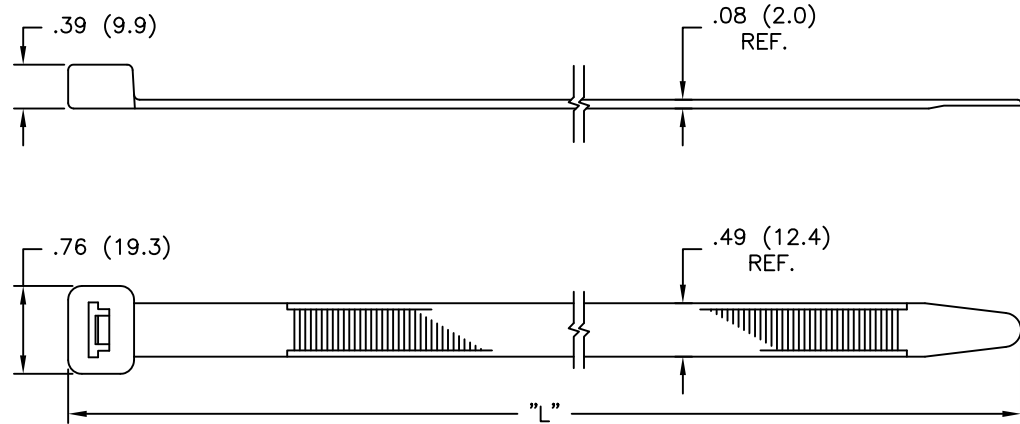


NYLON 6/6 (RMS-01) COLOR: NATURAL PART NO.	UV STABILIZED (RMS-399) COLOR: BLACK PART NO.	MAX. BUNDLE DIA.	LENGTH "L" APPROX.
WIT-225R	WIT-225R-UVB	5-1/8 (130.2)	19-5/8 (498.5)
WIT-225L	WIT-225L-UVB	9-27/32 (250.0)	33-1/2 (850.9)

NOTES:

- MIN. LOOP TENSILE: 225 lbs
- COLORS: GREEN (-GN), BLUE (-BL), YELLOW (-YL), RED (-RD), NEON-GREEN (-NGN), NEON-YELLOW (-NYL), NEON-PINK (-NPK) AND NEON-ORANGE (-NOR), AVAILABLE BY SPECIAL ORDER ONLY. TO ORDER, ADD COLOR SUFFIX TO PART NO.
- FOLLOWING MATERIAL AVAILABLE BY SPECIAL ORDER ONLY:
  - NYLON 6/6 UL94-VO (RMS-75), COLOR: NATURAL. TO ORDER, ADD "-VO" TO PART NO.
  - NYLON 6/6 (RMS-73), LOW TEMPERATURE. COLOR: BLACK. TO ORDER, ADD "-ST" TO PART NO.
  - NYLON 6/6, HEAT STABILIZED (RMS-47), UL94-V2. COLOR: BLACK. TO ORDER, ADD "-HS" TO PART NO.
- PACKAGING QUANTITIES ARE REFLECTED AS THE SUFFIX "-LETTER".  
EXAMPLE: WIT-225R-L.  
-L = 50 PCS  
-L-XL =NO LABEL



F	SEE CO 200661 FOR CHANGES	DK 05.12.11	TITLE: HEAVY-DUTY TIES SERIES 225			⊕	≡	DWG IN IN (MM)	QR
E	SEE CO 200336 FOR CHANGES	SK 03.12.09	FILE # WIT-225			DWN: P.B.		APP:	
D	SEE CO 200316 FOR CHANGES	SK 02.13.09	MAT'L: SEE NOTES & TABLE			DT: 08-11-95		DT:	
C	SEE CO 200134 FOR CHANGES	SK 02.28.08	RE: RICHCO, INC.			RICHCO INC.		PART #	
B	ADDED MAT'L INFO TO TABLE AND NOTES PER CATALOG; CHANGED FILE NO.	SM 05.07.02	TOLERANCES UNLESS NOTED .XX=±.010 .XXX=±.005 FRAC=±1/64 ANG=±1'			PO BOX 804238, CHICAGO, 60680		SEE TABLE	
A	RMS-49 ADDED TO PRINT.	J.L. 6.3.98				(773) 539-4060		PRINT TYPE	
REV	DESCRIPTION	ENGR DATE						CA	