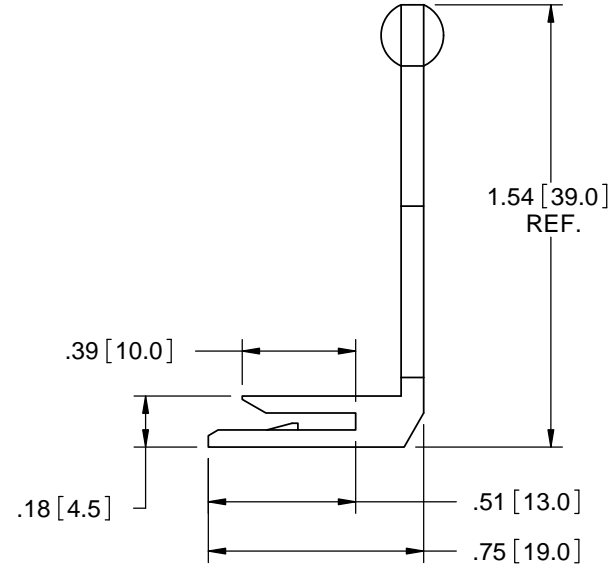
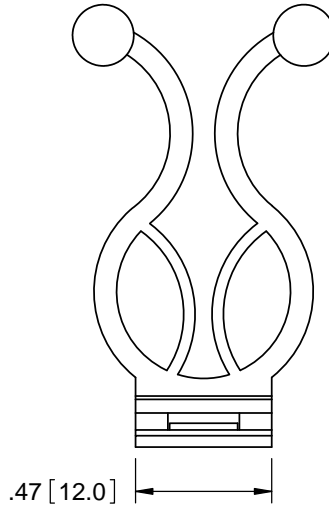
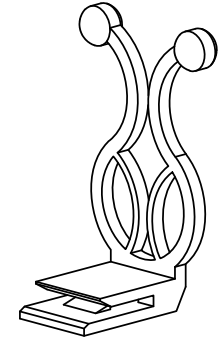
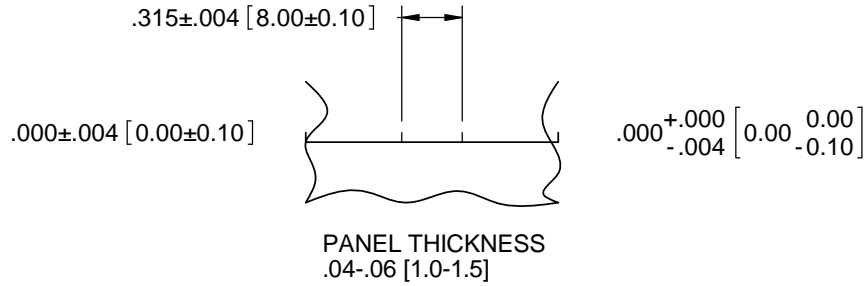


MOUNTING DETAIL



- NOTES:
 1. MATERIAL: NYLON 6/6 (RMS-01).
 2. COLOR: NATURAL.
 3. BUNDLE DIA. RANGE: .157-.394 [4.0-10.0]

TITLE: WEBBED STAND-OFF TWIST LOCK- SADDLE MOUNT						DWG IN IN [MM]	
CREATED USING SOLIDWORKS	FILE #: WSTL-SME	DWN: SM	APP: SJ	FINAL			
TOLERANCES UNLESS NOTED .XX=±.010 .XXX=±.005 FRAC.=±1/64 ANG.=±1°	SHEET: 1 OF 1	SHEET SIZE:	DT: 10/21/03	CHKD: RG	PART #		PRINT TYPE
RE: RICHCO, INC.	RICHCO, INC. ENG@RICHCO-INC.COM (773) 539-4060		WSTL-SME-165-01		CA		

REV.	DESCRIPTION	ENGR.	DATE
C	SEE CO 200773 FOR CHANGES	SK	04.30.12
B	SEE ECN # 1026 FOR CHANGES	SK	07/15/05
A	REDRAWN FROM R.I.U.K., SEE ECN # 736 FOR CHANGES	SM	12/01/03