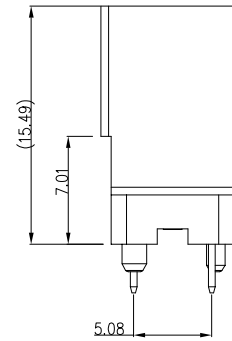
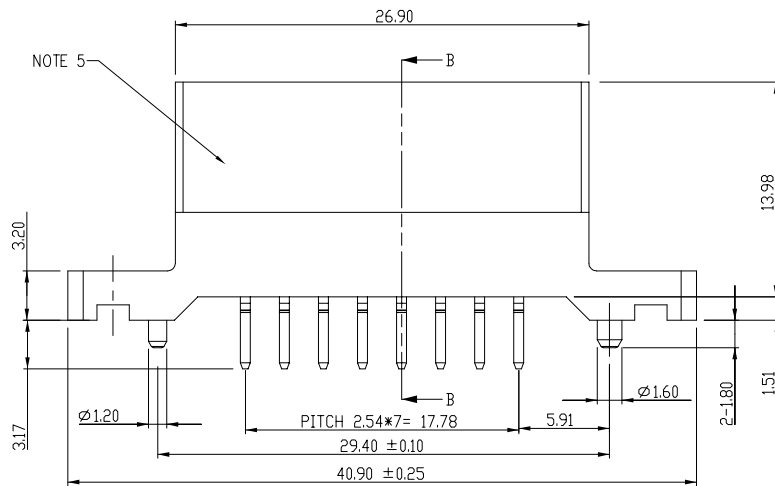
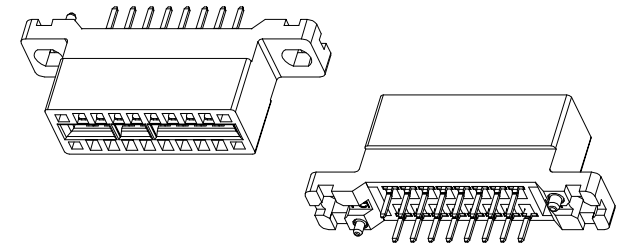
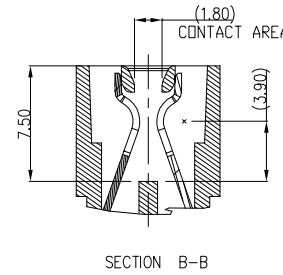
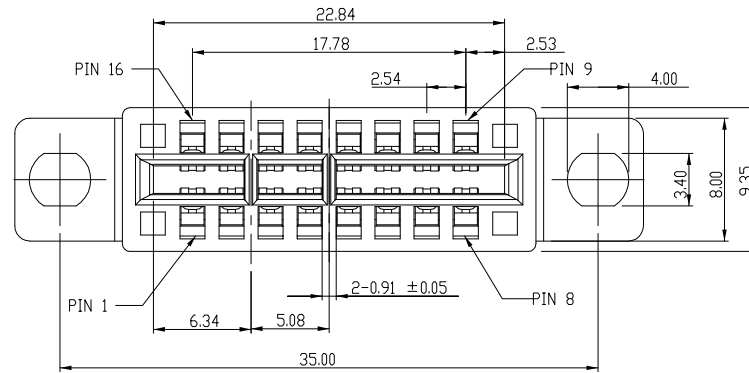


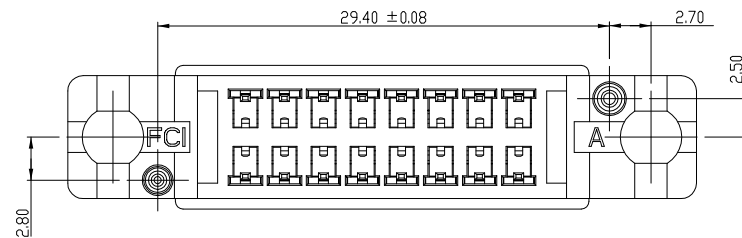
PRODUCT NO
10046972-001LF

REV	ECR NUMBER	REV'D BY	DATE
E	DG06-0306	RYAN YUAN	08/18/06
F	DG06-0524	JULIA WANG	12/26/06
C	DG05-0287	Steven Wang	08/18/05
D	DG05-0461	JM Guo	11/14/05



NOTE:

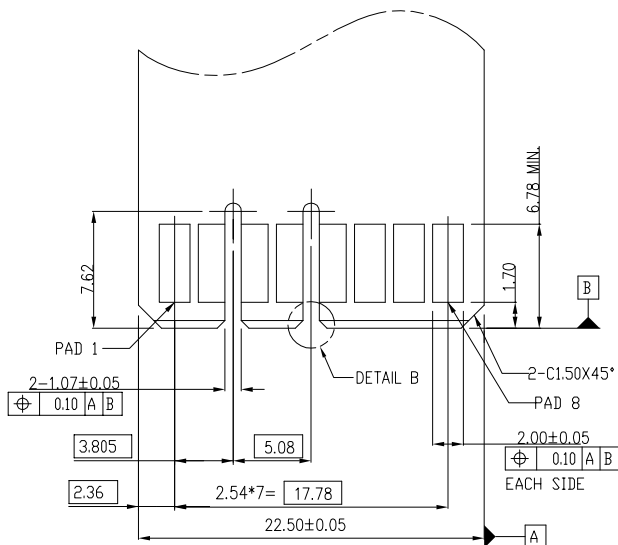
- MATERIAL:
HOUSING: HIGH TEMPERATURE THERMOPLASTIC,
UL 94 V-0 FLAME RETARDANT.
TERMINAL: HIGH CONDUCTIVITY COPPER ALLOY.
PLATING SPEC AS BELOW:
Ni 50µ" UNDER PLATED.
Au 30µ" OVER CONTACT AREA. (ONE SIDE)
MATTE TIN 120µ" OVER SOLDERING AREA.
- PACKING SPEC. GS-14-937.
- PRODUCT SPEC. GS-12-338.
- PART NUMBER 10046972-001LF MEETS EUROPEAN UNION DIRECTIVE AND OTHER COUNTRY REGULATIONS AS DESCRIBED IN GS-22-008. THE HOUSING WILL WITHSTAND EXPOSURE TO 260°C PEAK TEMPERATURE FOR 10 SECONDS IN A WAVE SOLDER APPLICATION WITH A CIRCUIT BOARD.
- MANUFACTURER'S NAME, P/N AND DATE CODE TO APPEAR ON THIS SURFACE AS PER GS-24-007.



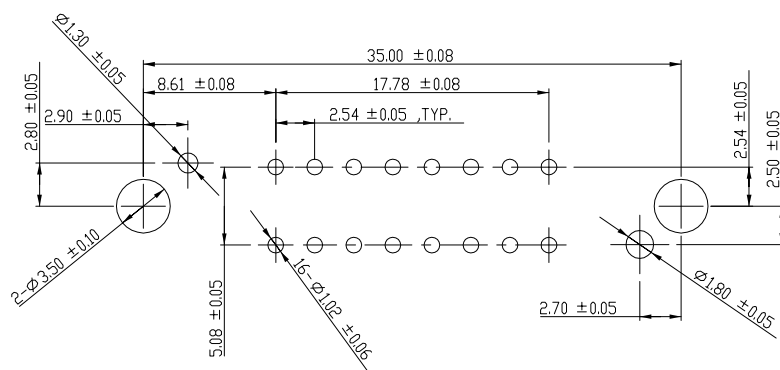
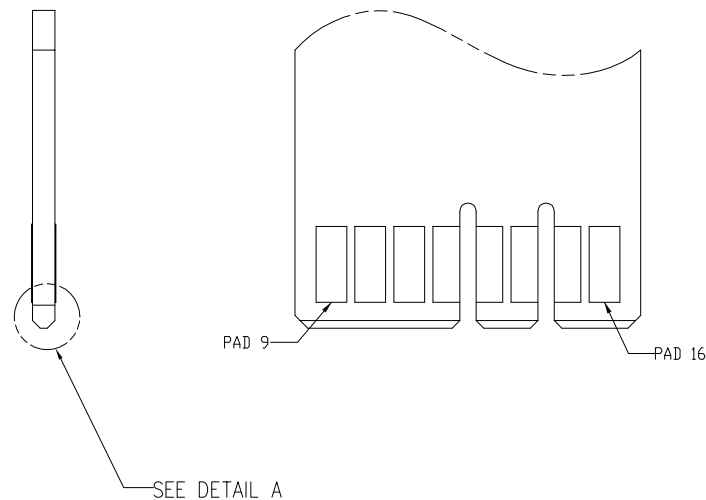
CUSTOMER COPY			THIRD ANGLE PROJECTION			FCI				
DO NOT SCALE DRAWING			DIMENSIONAL LIMITS APPLY AFTER PLATING (IF SPECIFIED)			DESCRIPTION				
GENERAL TOLERANCE			NAME			VERTICAL TYPE, WITH MOUNTING EARS (8PX2) POWER EDGE CONNECTOR				
MILLIMETER	INCH	ANGLE	DRAWN	NAME	DATE	SCALE	SIZE	DRAWING NO.	REV	SHEET
X.X ±0.8	.XX ±0.03	±3°	CHECKED	Benny Chen	02/04/05	1:1	A4	10046972	F	1 OF 4
X.XX ±0.25	.XXX ±0.010		APPROVED	Paul Wang	04/02/05					
X.XXX ±0.13	.XXXX ±0.005			Joseph Hsia	04/07/05					

ALL RIGHT RESERVED. REPRODUCTION OR ISSUE TO THIRD PARTIES IN ANY FORM WHATEVER IS NOT PERMITTED WITHOUT WRITTEN AUTHORITY FROM THE PROPRIETOR. PROPERTY OF F C I. COPYRIGHT F C I.

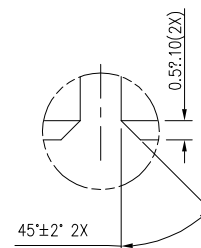
PRODUCT NO
10046972-001LF



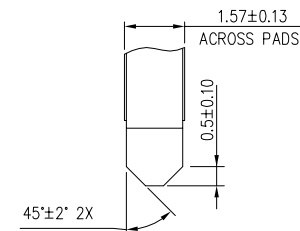
RECOMMENDED MATING BOARD



RECOMMENDED PC BOARD LAYOUT
AND THE THICKNESS IS 2.36 mm



DETAIL B
SCALE 5:1



DETAIL A
SCALE 5:1

ALL RIGHT RESERVED. REPRODUCTION OR ISSUE TO THIRD PARTIES IN ANY FORM WHATEVER IS NOT PERMITTED WITHOUT WRITTEN AUTHORITY FROM THE PROPRIETOR. PROPERTY OF F C I. COPYRIGHT F C I.

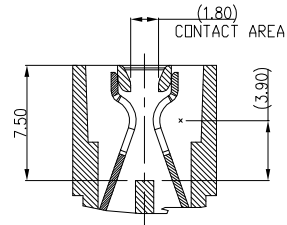
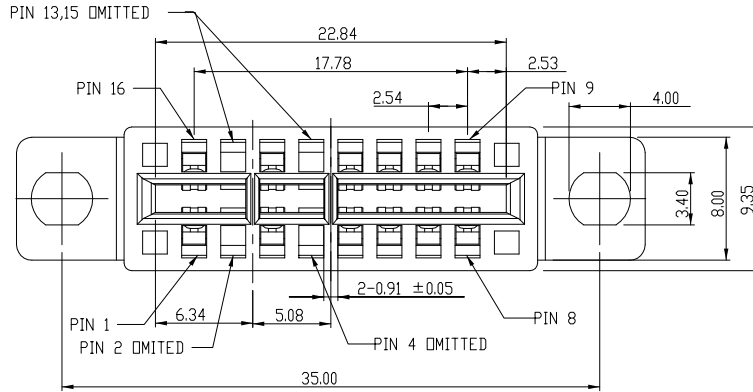
CUSTOMER COPY			THIRD ANGLE PROJECTION							
GENERAL TOLERANCE			DIMENSIONAL LIMITS APPLY AFTER PLATING (IF SPECIFIED)			DESCRIPTION				
MILLIMETER	INCH	ANGLE	DRAWN	NAME	DATE	RECOMMENDED LAYOUT OF MATING AND PCB BOARD VERTICAL TYPE WITH MOUNTING EARS (8PX2)				
X.X ±0.8	.XX ±0.03	±3°	CHECKED	Benny Chen	02/04/05	SCALE	SIZE	DRAWING NO.	REV	SHEET
X.XX ±0.25	.XXX ±0.010		APPROVED	Paul Wang	04/02/05	~	A4	10046972	F	2 OF
X.XXX±0.13	.XXX±0.005		Joseph Hsia	04/07/05						

PDM: Rev:F

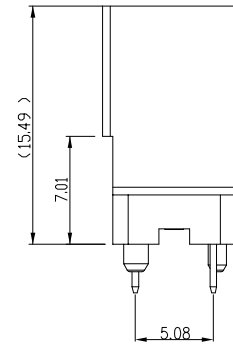
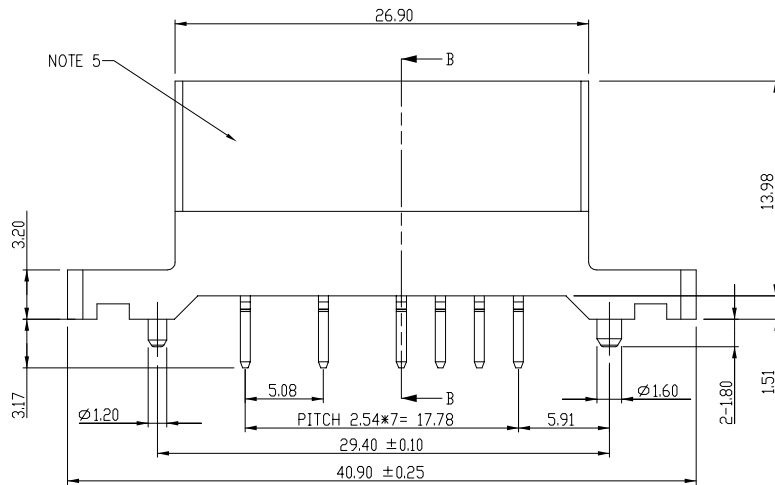
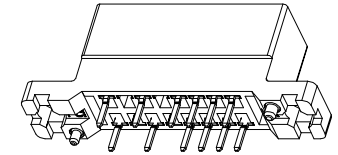
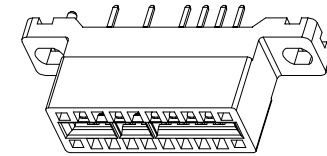
STATUS:Released

1 Printed: Mar 14, 2007

PRODUCT NO
10046972-002LF

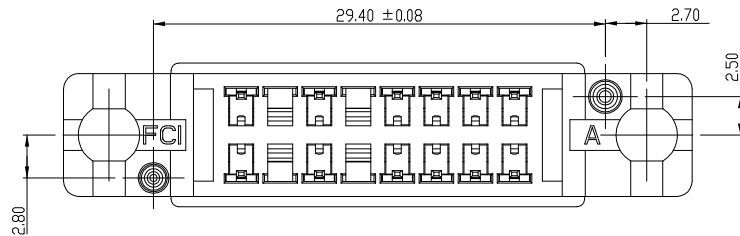



SECTION B-B



NOTE:

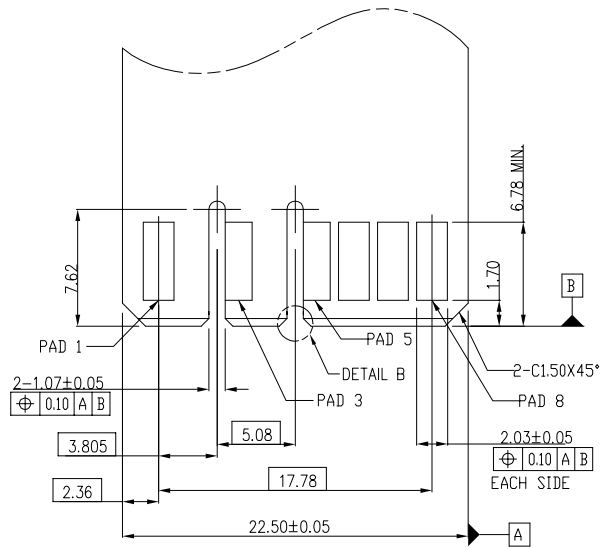
- MATERIAL:
HOUSING: HIGH TEMPERATURE THERMOPLASTIC,
UL 94 V-0 FLAME RETARDANT.
TERMINAL: HIGH CONDUCTIVITY COPPER ALLOY.
PLATING SPEC AS BELOW:
Ni 50 μ UNDER PLATED.
Au 30 μ OVER CONTACT AREA. (ONE SIDE)
MATTE TIN 120 μ OVER SOLDERING AREA.
- PACKING SPEC. GS-14-937.
- PRODUCT SPEC. GS-12-338.
- PART NUMBER 10046972-002LF MEETS EUROPEAN UNION DIRECTIVE AND OTHER COUNTRY REGULATIONS AS DESCRIBED IN GS-22-008. THE HOUSING WILL WITHSTAND EXPOSURE TO 260°C PEAK TEMPERATURE FOR 10 SECONDS IN A WAVE SOLDER APPLICATION WITH A CIRCUIT BOARD.
- MANUFACTURER'S NAME, P/N AND DATE CODE TO APPEAR ON THIS SURFACE AS PER GS-24-007.



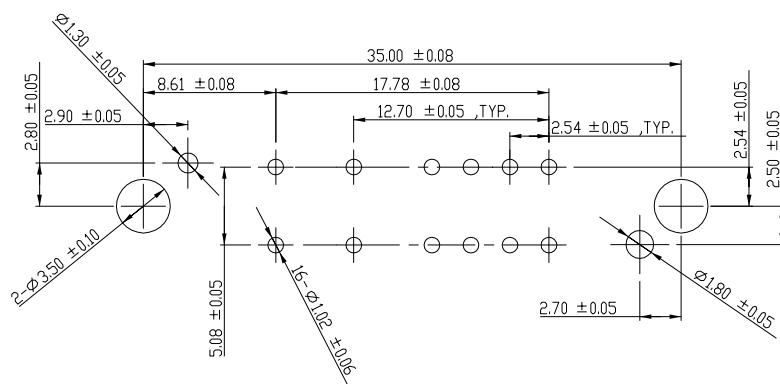
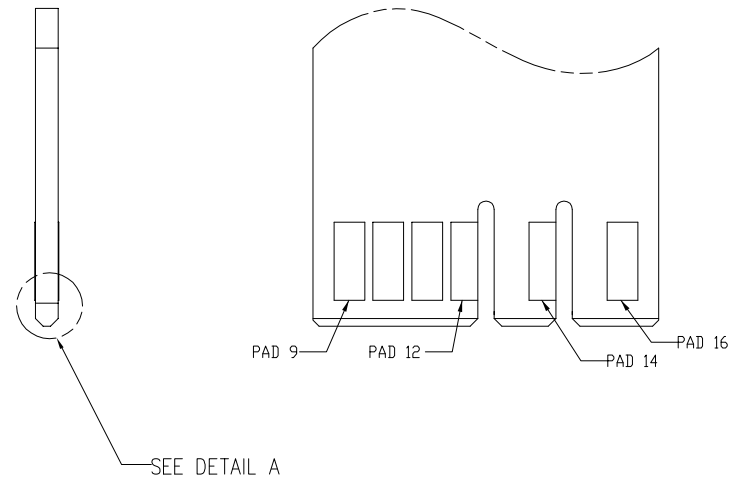
CUSTOMER COPY			THIRD ANGLE PROJECTION								
										DESCRIPTION	
DO NOT SCALE DRAWING			DIMENSIONAL LIMITS APPLY AFTER PLATING (IF SPECIFIED)		VERTICAL TYPE, WITH MOUNTING EARS (8PX2) POWER EDGE CONNECTOR						
GENERAL TOLERANCE			NAME		DATE		SCALE			REV	
MILLIMETER			Benny Chen		04/28/05		1:1			F	
INCH			Paul Wang		05/23/05		A4			3 OF	
ANGLE			Joseph Hsia		05/23/05						
X.X ±0.8											
X.XX ±0.25											
X.XXX ±0.10											
X.XXX ±0.05											
±3°											

ALL RIGHT RESERVED. REPRODUCTION OR ISSUE TO THIRD PARTIES IN ANY FORM WHATEVER IS NOT PERMITTED WITHOUT WRITTEN AUTHORITY FROM THE PROPRIETOR. PROPERTY OF F C I. COPYRIGHT F C I.

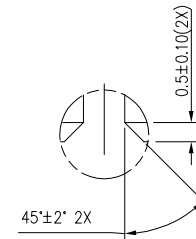
PRODUCT NO
10046972-002LF



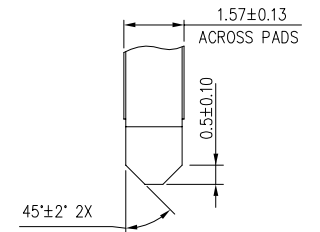
RECOMMENDED MATING BOARD



RECOMMENDED PC BOARD LAYOUT
AND THE THICKNESS IS 2.36 mm



DETAIL B
SCALE 5:1



DETAIL A
SCALE 5:1

ALL RIGHT RESERVED. REPRODUCTION OR ISSUE TO THIRD PARTIES IN ANY FORM WHATEVER IS NOT PERMITTED WITHOUT WRITTEN AUTHORITY FROM THE PROPRIETOR. PROPERTY OF F C I. COPYRIGHT F C I.

CUSTOMER COPY			THIRD ANGLE PROJECTION							
GENERAL TOLERANCE			DIMENSIONAL LIMITS APPLY AFTER PLATING (IF SPECIFIED)			DESCRIPTION				
MILLIMETER	INCH	ANGLE	DRAWN	NAME	DATE	RECOMMENDED LAYOUT OF MATING AND PCB BOARD VERTICAL TYPE WITH MOUNTING EARS (8PX2)				
X.X ±0.8	.XX ±0.03	±3°	CHECKED	Benny Chen	02/04/05	SCALE	SIZE	DRAWING NO.	REV	SHEET
X.XX ±0.25	.XXX ±0.010		APPROVED	Paul Wang	05/23/05	~	A4	10046972	F	4 OF 4
X.XXX±0.13	.XXXX±0.005		Joseph Hsia	05/23/05						

PDM: Rev:F

STATUS:Released

1 Printed: Mar 14, 2007