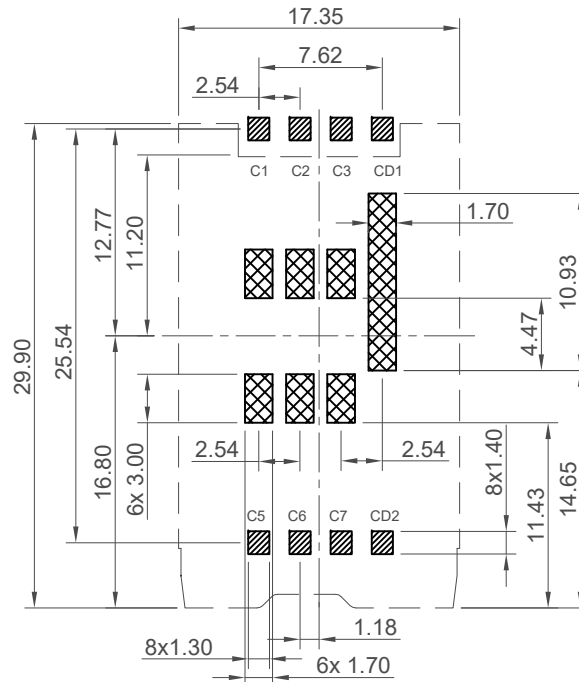
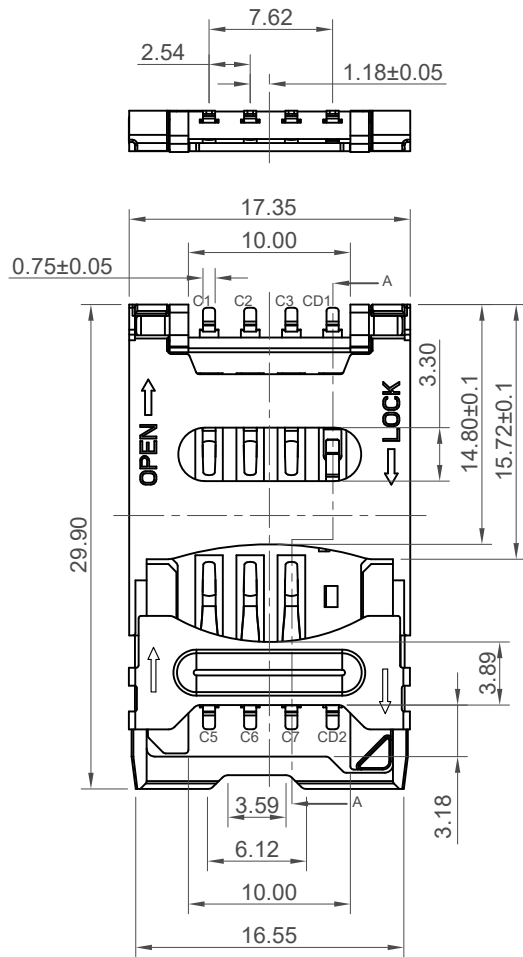


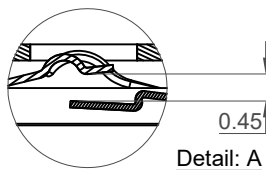
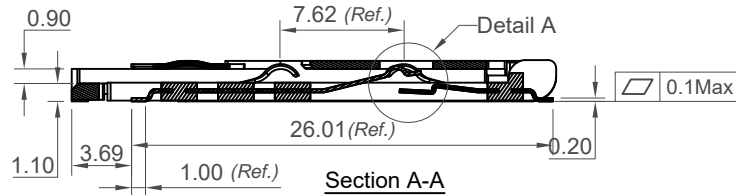
H
G
F
E
D
C
B
A



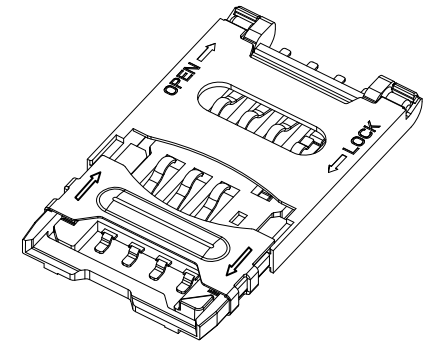
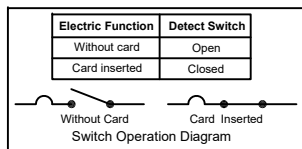
Recommended PCB Layout

General Tolerance ± 0.05 As viewed from component side

▨ Solder Area ▩ Keep Out Area - - - Component Outline



C1	VCC
C2	RST
C3	CLK
C5	GND
C6	Vpp
C7	I/O



Specification 规格:

Material 物料规格:

Housing 塑胶主体: LCP UL94V-0
 Contact Terminal 接触端子: Phosphor Bronze
 Metallic Shell 金属外壳: Stainless Steel - SUS304

Plating 电镀规格:

Contact Terminal plating 接触端子部分电镀:
 Contact Area: 5 μ m Gold
 Soldering Area: 100 μ m Tin
 Under-plating: 50 μ m Nickel above

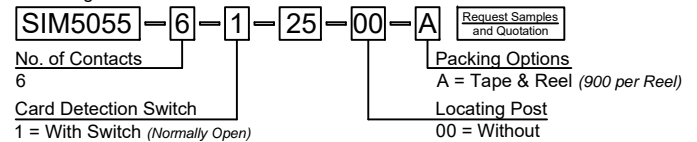
Electrical 电气规格:

Voltage Rating 电压额定值: 50 V max.
 Current Rating 电流额定值: 1A max.
 Operating Temperature 工作温度: -40°C to +85°C
 Contact Resistance 接触电阻值: 50 m Ω typical, 100 m Ω max.
 Insulating Resistance 绝缘电阻值: 1000 M Ω min. (Apply施加500V DC)
 Dielectric Withstanding Voltage 耐压: 500 VAC for 1 minute

Mechanical 机械性规格:

Durability 耐久性: 5,000 cycles

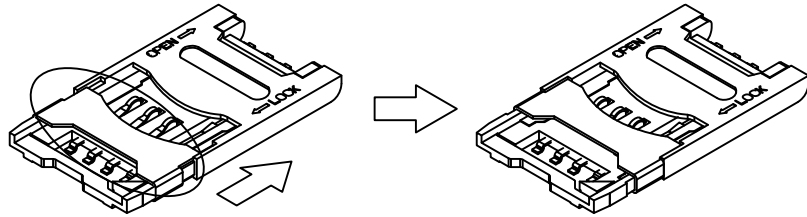
Ordering Grid



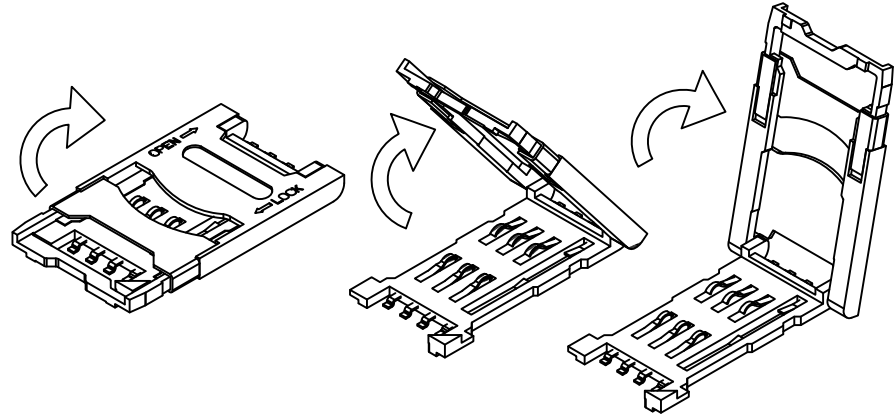
Part Number SIM5055		Product Description SIM Card Connector, Hinged Type, 6 Pin, SMT, 2.50mm Profile, with Card Detection Switch	
Drawing Date 3rd November 2010			
By CC	Detail SIM5055 G PCN	Tolerances (Except as Noted) Length X. ± 0.35 X.X ± 0.25 X.XX ± 0.15 X.XXX ± 0.10	Angle X.X° $\pm 5^\circ$ X.X° $\pm 4^\circ$ X.XX° $\pm 3^\circ$ X.XXX° $\pm 2^\circ$
Revision G2	Date 28/07/16	Units: Metric (mm)	3rd Angle Projection
		This drawing is confidential and copyright of Global Connector Technology, Ltd (GCT). This drawing must not be copied or disclosed without written consent. E & OE	

Not to Scale	Drawn By SA	Sheet No. 1/3
--------------	----------------	------------------

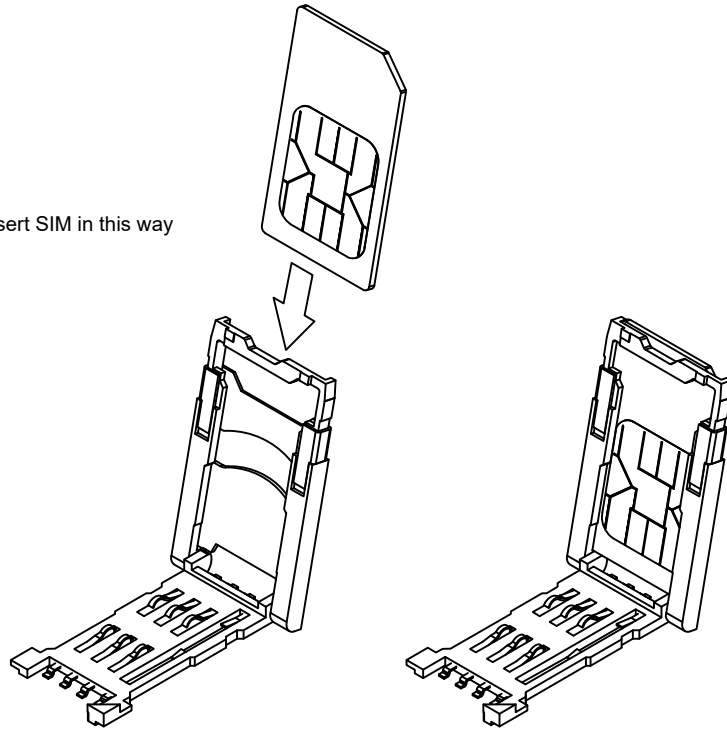
1 Slide metal lock back



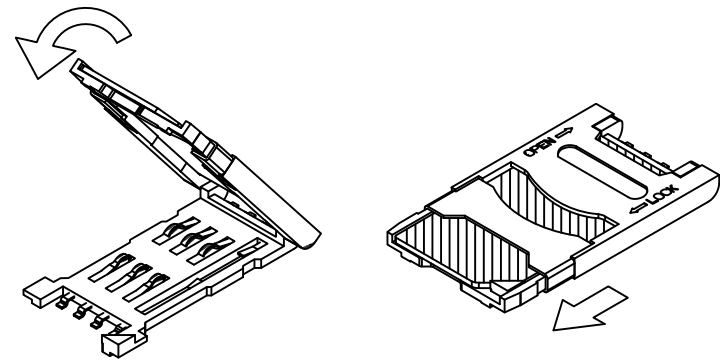
2 Open card holder section to allow SIM card to be inserted



3 Insert SIM in this way



4 Rotate lid back and slide metal clip back to lock holder in position



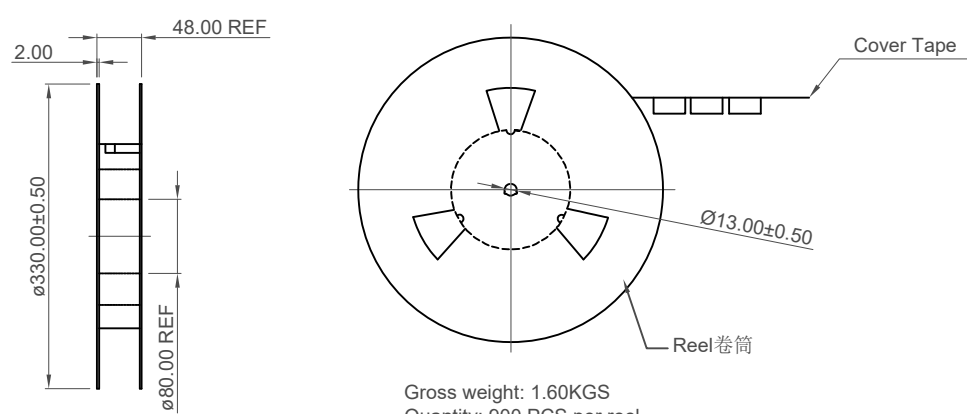
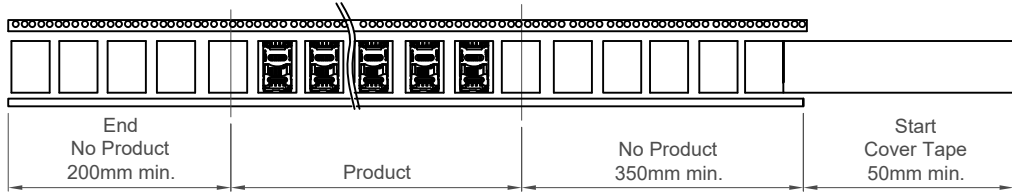
Part Number		Product Description	
SIM5055		SIM Card Connector, Hinged Type, 6 Pin, SMT,	
Drawing Date		2.50mm Profile, with Card Detection Switch	
3rd November 2010			
By	CC	Tolerances (Except as Noted)	Units:
Detail	SIM5055	Length	Metric (mm)
	G PCN	Angle	
Revision	G2		
Date	28/07/16		



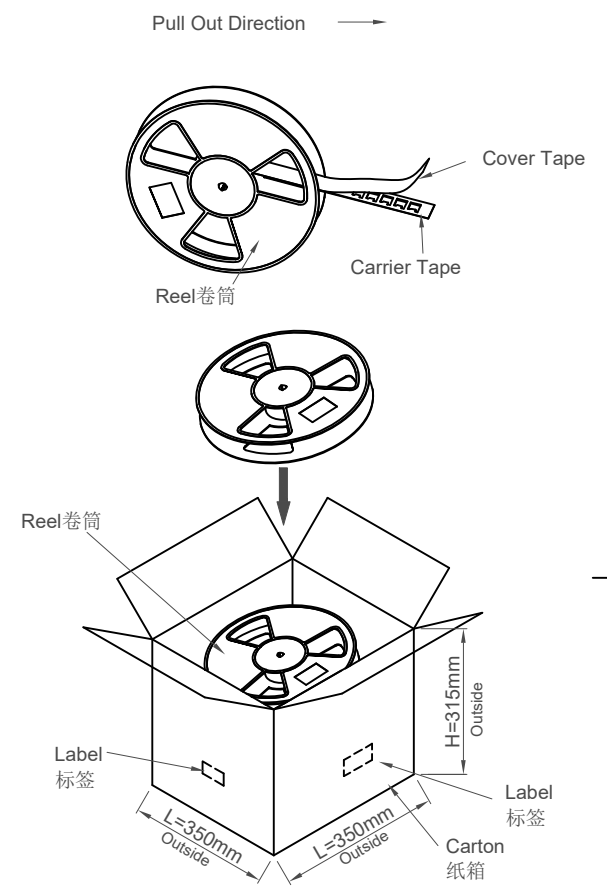
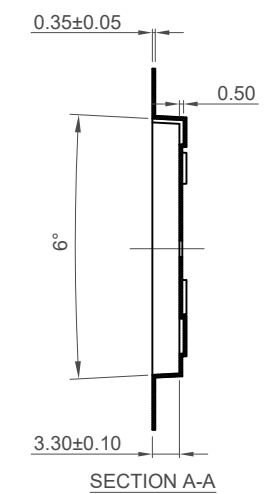
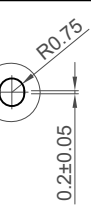
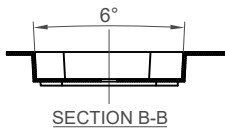
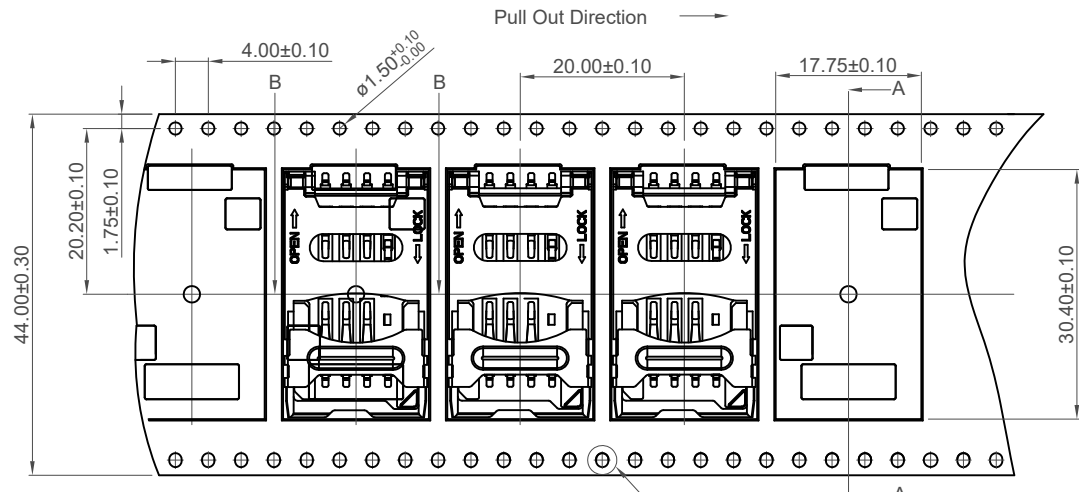
This drawing is confidential and copyright of Global Connector Technology, Ltd (GCT). This drawing must not be copied or disclosed without written consent. E & OE



Not to Scale	Drawn By SA	Sheet No. 2/3
--------------	-------------	---------------



Gross weight: 1.60KGS
Quantity: 900 PCS per reel



Gross weight: 10.88Kg
Quantity: 5400 Pcs per carton
Dimensions: 35.00L X 35.00W X 31.50H cm

Part Number		Product Description		 www.gct.co	
SIM5055		SIM Card Connector, Hinged Type, 6 Pin, SMT,			
Drawing Date		2.50mm Profile, with Card Detection Switch			
3rd November 2010					
By	CC	Tolerances (Except as Noted)	Units:	 Deca-SDE	This drawing is confidential and copyright of Global Connector Technology, Ltd (GCT). This drawing must not be copied or disclosed without written consent. E & OE
Detail	SIM5055 G PCN				
Revision	G2	Angle	 3rd Angle Projection		
Date	28/07/16			Not to Scale Drawn By SA Sheet No. 3/3	