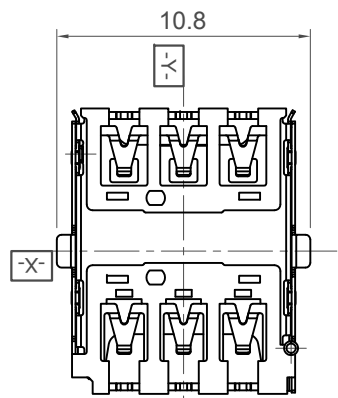
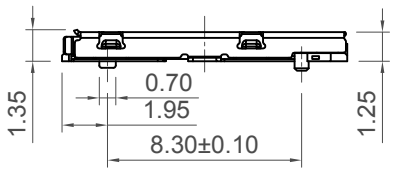
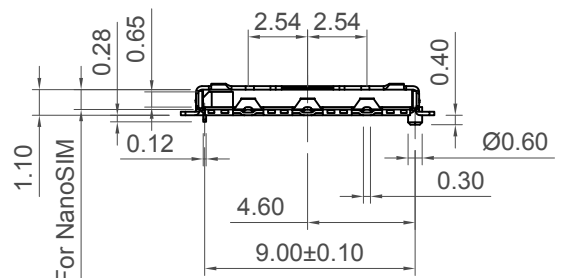
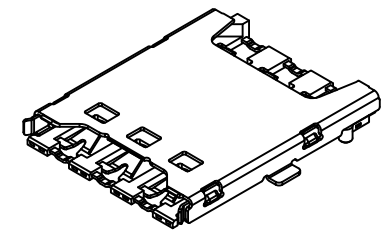


Recommended PCB Layout
 As viewed from component side General Tolerance ±0.05
 Locating peg holes only applicable to locating peg version

Solder Area
 Keep Out Area
 Component Outline



Date Code Note:
 Code Format = YYMDD
 YY = 2 digit year, eg 14 = 2014
 M = 1 digit month
 1 = January... 9 = September
 A = October, B = November
 C = December
 DD = 2 digit day, eg: 21 = 21st



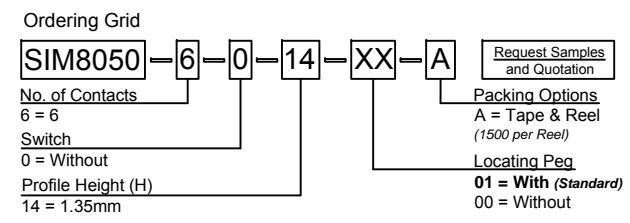
Specification:

Material:
 Plastic Housing: LCP 30%GF, UL94V-0, Black
 Contact Terminal: Phosphor Bronze, T=0.12mm
 Cover: SUS301-H, T=0.15mm

Plating:
Contact Terminal:
 Contact Area: 15µ" Gold
 Solder area: Gold Flash
 Underplating: Ni overall 50µ" min.
 Cover : Ni overall 50µ" min.

Electrical:
 Voltage Rating: 30V max.
 Current Rating: 0.5A max.
 Dielectric Withstanding Voltage: 100V AC (60 Sec min. 60)
 Insulation Resistance: 1000 MΩ min.
 Contact Resistance: 100 mΩ max.

Mechanical & Environmental
 Operating Temperature: -40°C to +85°C
 Durability: 5000 cycles



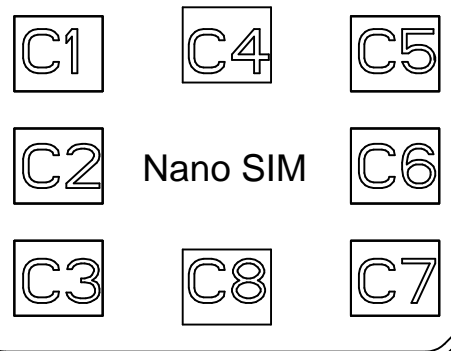
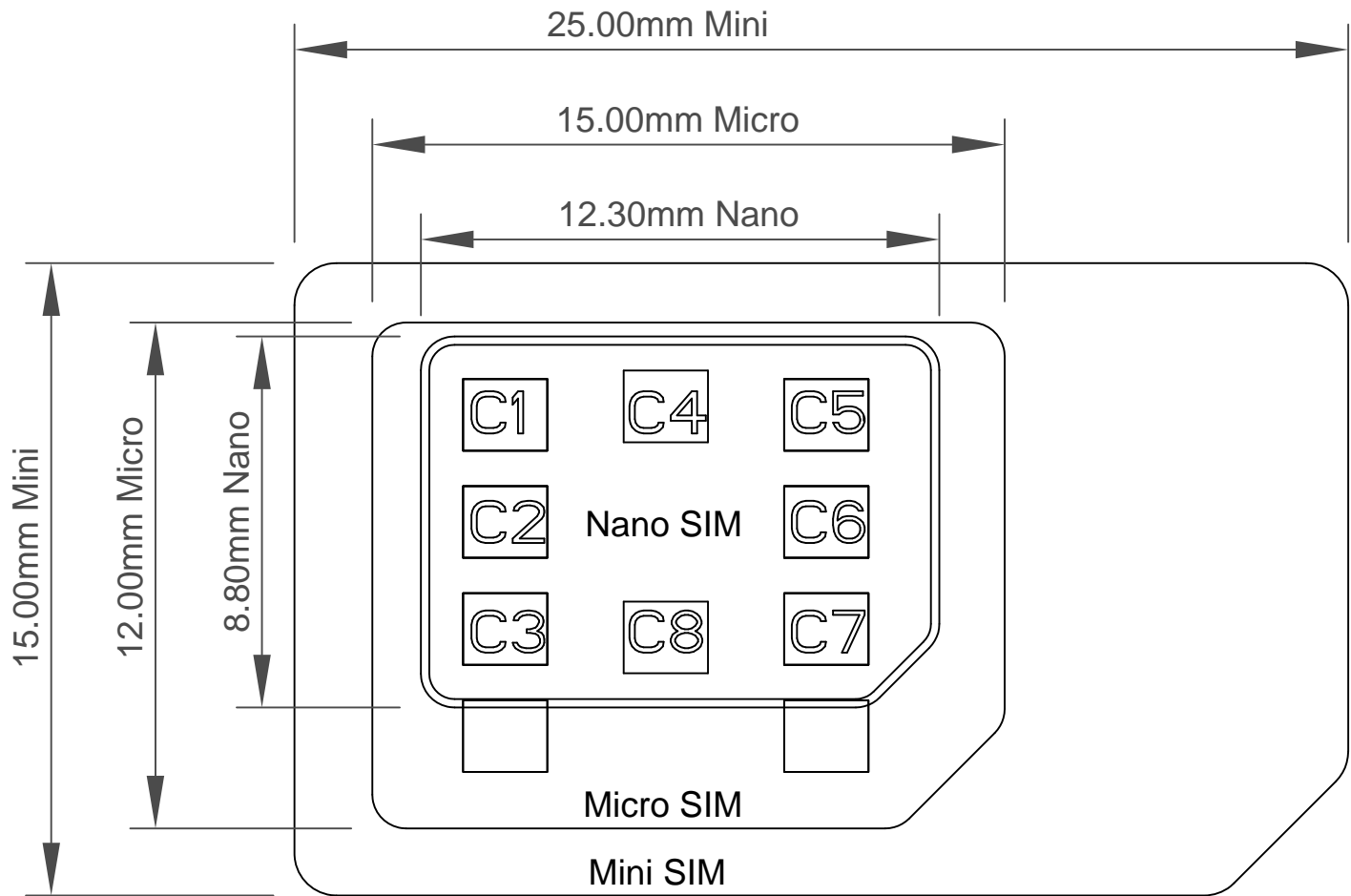
Part Number		Product Description	
SIM8050		Nano SIM Card Connector	
Drawing Date		Push-Pull Type, 6 Pin, SMT, Profile 1.35mm	
3rd June 2013			
By	CC	Tolerances (Except as Noted)	Units:
Detail	SIM8050	Length	Metric (mm)
	F PCN	X. ± 0.35	
Revision	F2	X.X ± 0.25	
Date	07/12/17	X.XX ± 0.15	All ± 2°
		X.XXX ± 0.10	



This drawing is confidential and copyright of Global Connector Technology, Ltd (GCT). This drawing must not be copied or disclosed without written consent. E & OE




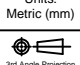


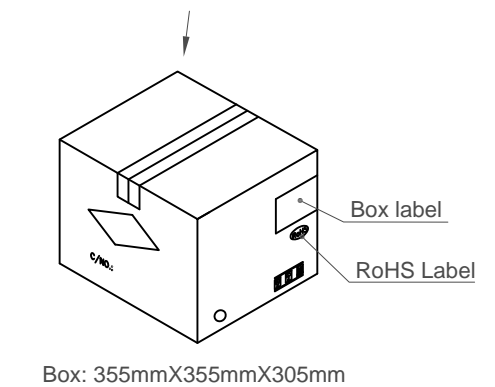
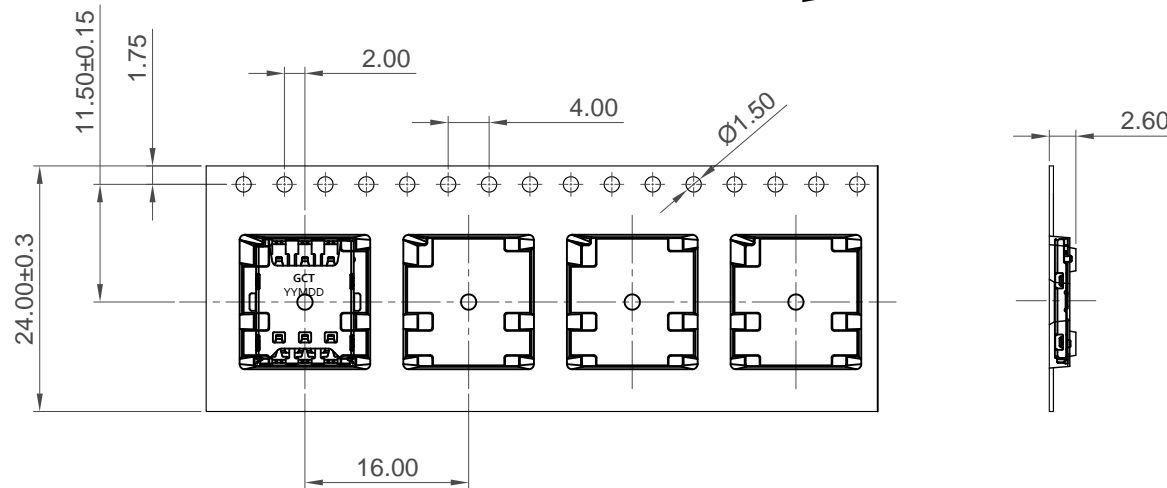
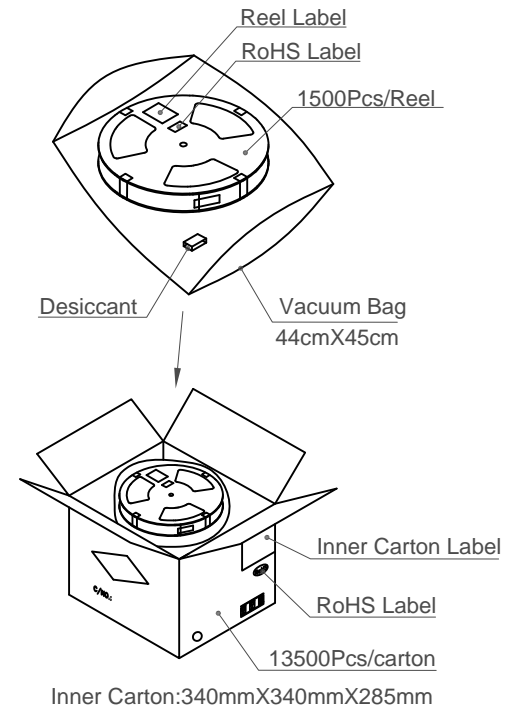
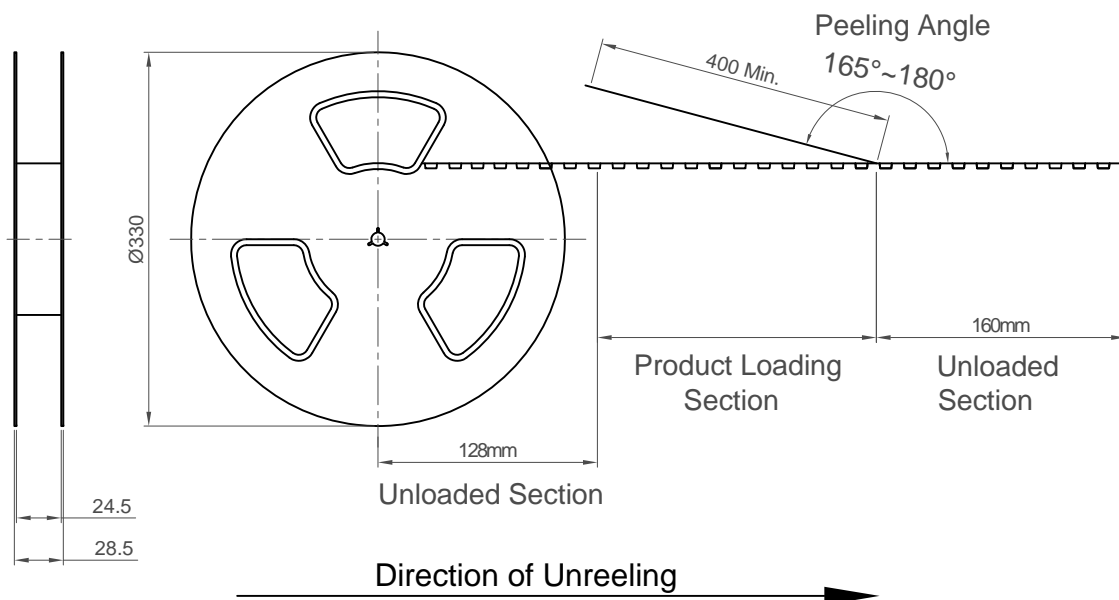
Not to Scale	Drawn By AJO	Sheet No. 1/3
--------------	--------------	---------------



C1----->VCC
 C2----->RST
 C3----->CLK
 C5----->GND
 C6----->Vpp
 C7----->I/O

Reference

Part Number		Product Description		 www.gct.co
SIM8050		Nano SIM Card Connector		
Drawing Date		Push-Pull Type, 6 Pin, SMT, Profile 1.35mm		
3rd June 2013				
By	CC	Tolerances (Except as Noted)	Units:	  This drawing is confidential and copyright of Global Connector Technology, Ltd (GCT). This drawing must not be copied or disclosed without written consent. E & OE
Detail	SIM8050 F PCN	Length	Metric (mm)	
Revision	F2	Angle	All ± 2°	
Date	07/12/17	X. ± 0.35		
		X.X ± 0.25		
		X.XX ± 0.15		Not to Scale
		X.XXX ± 0.10		Drawn By AJO
				Sheet No. 2/3



Notes:
Peeling off force of top tape: 0.1-1.3N (Peeling direction as shown)

Materials:
Carrier Tape: Polystyrene (PS)
Top Tape: PE
Reel Tape: Polystyrene (PS)
Vacuum Bag: PE

Products P/N	Pcs / Reel	Reels/Carton	Reels/Carton
SIM8050	1500	9	13500

Part Number SIM8050		Product Description Nano SIM Card Connector Push-Pull Type, 6 Pin, SMT, Profile 1.35mm		 www.gct.co
Drawing Date 3rd June 2013				
By CC	Tolerances (Except as Noted) Length Angle	Units: Metric (mm)	 This drawing is confidential and copyright of Global Connector Technology, Ltd (GCT). This drawing must not be copied or disclosed without written consent. E & OE	
Detail SIM8050 F PCN		 3rd Angle Projection		
Revision F2			 ©	
Date 07/12/17			Not to Scale Drawn By AJO Sheet No. 3/3	