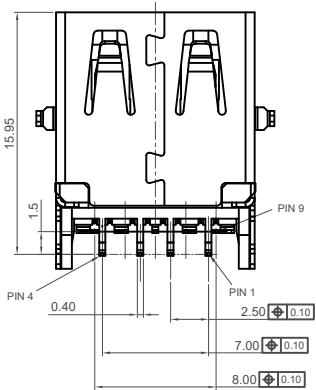
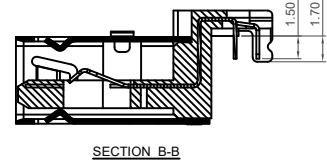
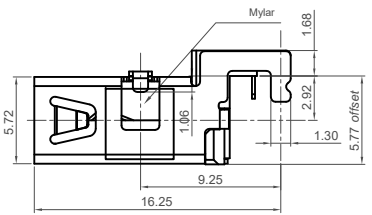
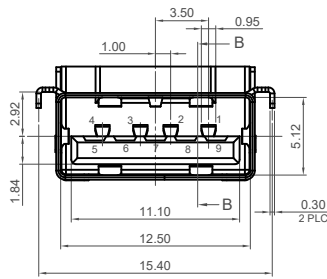
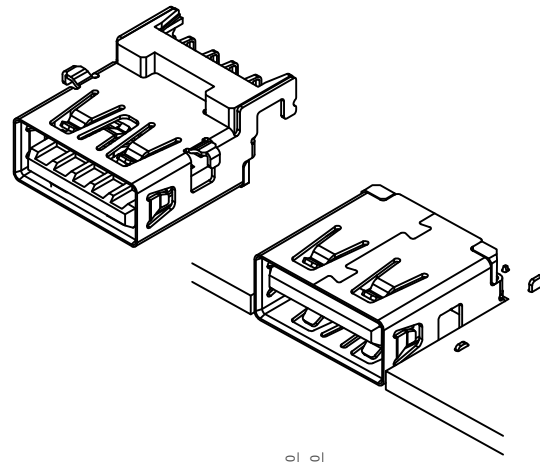


Recommended PCB Layout
as viewed from component side. Tolerance: ±0.05mm
□ Component Outline ■ Keep Out Area



PIN No.	SIGNAL NAME	DESCRIPTION	MATING SEQUENCE
1	VBUS	POWER	SECOND
2	D-	USB2.0 DIFFERENTIAL PAIR	THIRD
3	D+		
4	GND	GROUND FOR POWER RETURN	SECOND
5	StdA_SSRX-	SUPERSPEED RECEIVER DIFFERENTIAL PAIR	LAST
6	StdA_SSRX+		
7	GND_DRAIN	GROUND FOR SIGNAL RETURN	LAST
8	StdA_SSTX-	SUPERSPEED TRANSMITTER DIFFERENTIAL PAIR	LAST
9	StdA_SSTX+		
SHELL	Shield	CONNECTOR METAL SHELL	FIRST

Specifications 规格

Material 物料
 Plastic Housing 塑胶外壳: PA9T, UL94V-0 Blue
 Contact Terminal 接触端子: Copper Alloy 铜合金
 Metallic Shell 金属外壳: Stainless Steel (T=0.30mm)

Plating 电镀
 Underplating 底层电镀: 50µ" min. Nickel
 Contact Area 接触面积: Gold - see ordering grid.
 Solder Tails 焊接末端: 80µ" Tin
 Metallic Shell 金属外壳: 80µ" min. Nickel

Electrical 电气
 Voltage Rating 电压额定值: 100V AC/DC
 Current Rating 电流额定值: 0.25A (Signal Pins 2,3,5,6,7,8,9)
 1.8A (Power Pins 1,4)
 Operating Temperature 工作温度: -55°C to +85°C
 Contact Resistance 接触电阻值: 30 mΩ max.
 Insulating Resistance 绝缘电阻值: 100 MΩ min.
 Dielectric Withstand Voltage 耐电压: 500V AC/minute

Mechanical & Environmental 机械 & 环境
 Mating Force 插入力: 35N max.
 Unmating Force 拨出力: 10N min. initial,
 8N min. after test.
 Durability 耐久性: 5000 Cycles

Ordering Grid

USB1110 - **30** - **A** Request Samples and Quotation

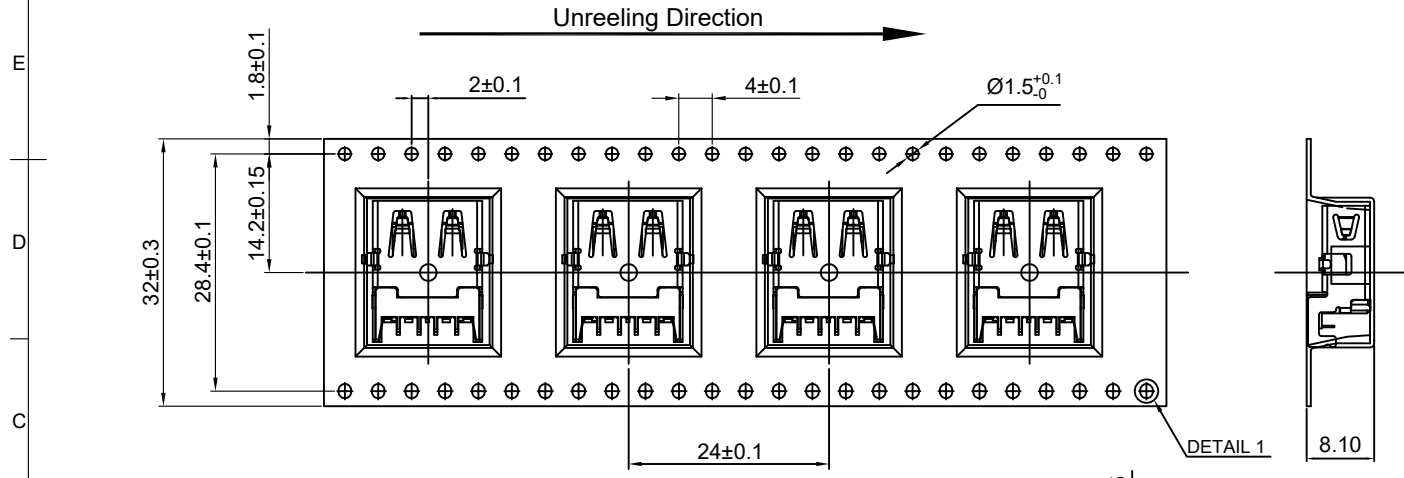
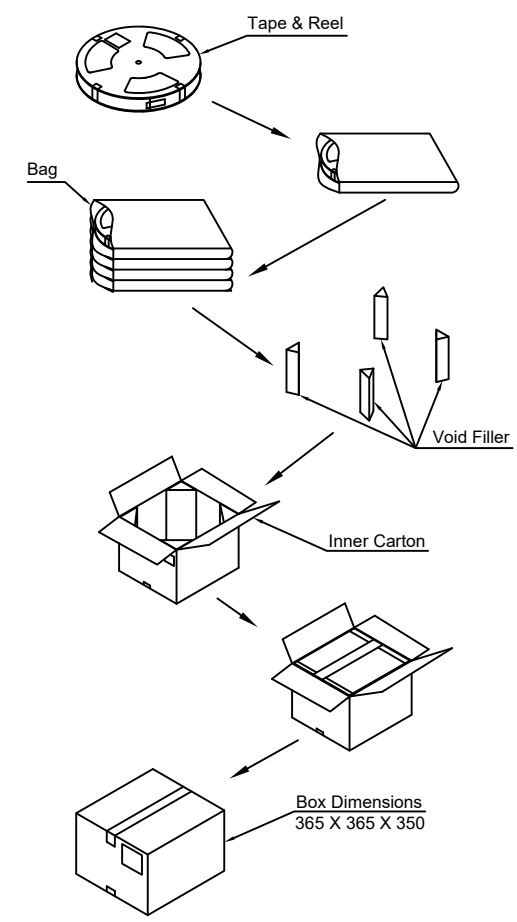
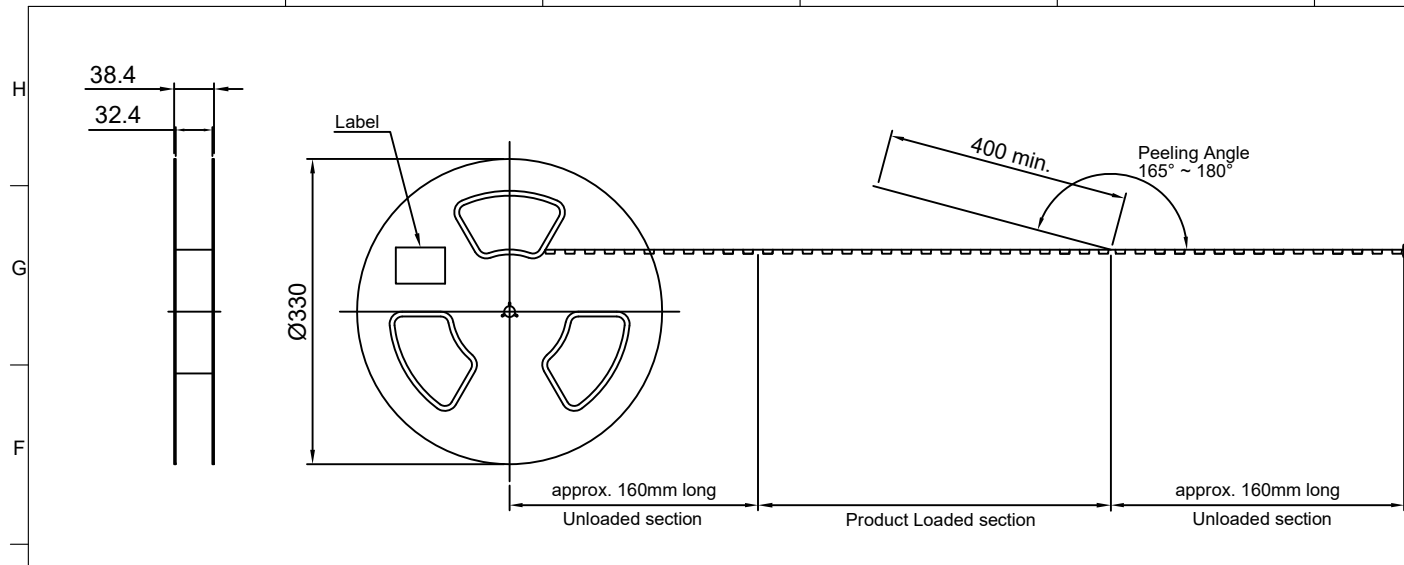
Contact Plating
30 = 30µ" Gold

Packing Options
A = Tape & Reel
(350 per reel)

Part Number		Product Description	
USB1110		USB 3.0 Receptacle, Full Size, Type A, Mid-Bottom Mount, Horizontal, Through-Hole	
Drawing Date		20th February 2013	
By	AJO	Tolerances (Except as Noted)	Units: Metric (mm)
Detail	Drawing Release	Length X ± 0.50 X.X ± 0.38 X.XX ± 0.20 X.XXX ± 0.10	Angle ± 2°
Revision	A1	3rd Angle Projection	
Date	09/12/14		
This drawing is confidential and copyright of Global Connector Technology, Ltd (GCT). This drawing must not be copied or disclosed without written consent. E & OE		Not to Scale	Drawn By AJO
Sheet No. 1/2			

H
G
F
E
D
C
B
A

1 2 3 4 5 6 7 8



Note:

1. Material:
 Box: Fibreboard, Corrugated, Double Wall.
 Tape: Polystyrene, Heat-Resistant Temperature: 120°C, Color: Black.
 Reel: Polystyrene, Heat-Resistant Temperature: 70°C, Color: Blue.
 Bag: Polystyrene, Heat-Resistant Temperature: 100°C.

2. Peeling Strength: 0.1 ~ 1.3 N (10 ~ 130 Grams)

3. Peeling Speed: 300 mm/min.

4. Each bag includes desiccant.

Product no.	PCS/Reel	Reels/Carton	PCS/Carton
USB1110	350	8	2800

DETAIL 1
4:1

Part Number		Product Description	
USB1110		USB 3.0 Receptacle, Full Size, Type A,	
Drawing Date		Mid-Bottom Mount, Horizontal, Through-Hole	
20th February 2013			
By	AJO	Tolerances (Except as Noted)	Units:
Detail	Drawing Release	Length	Metric (mm)
Revision	A1	X ± 0.50	
Date	09/12/14	X.X ± 0.38	
		X.XX ± 0.20	
		X.XXX ± 0.10	Angle
			± 2°

GCT
www.gct.co

This drawing is confidential and copyright of Global Connector Technology, Ltd (GCT). This drawing must not be copied or disclosed without written consent. E & OE

Not to Scale Drawn By AJO Sheet No. 1/2

H
G
F
E
D
C
B
A