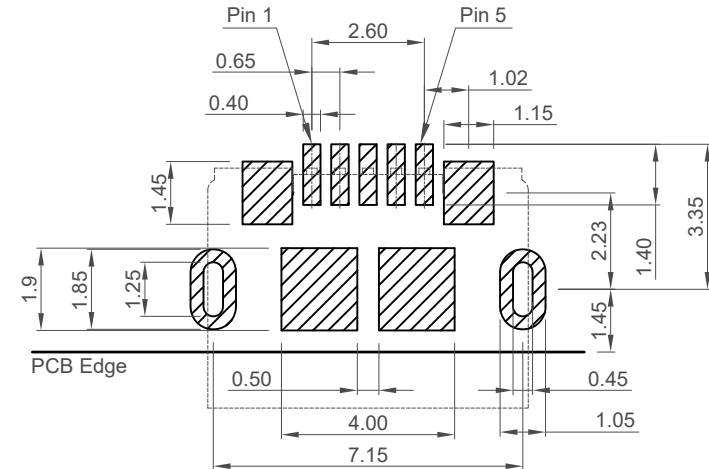
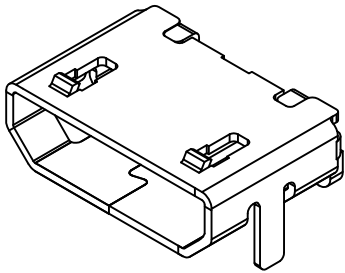
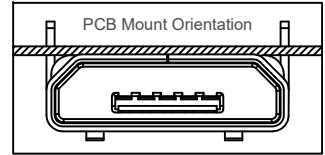
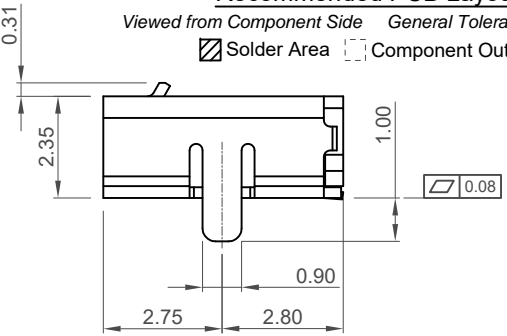


Designed to comply with physical, electrical and environmental requirements of Micro USB Standard (USB2.0).



Recommended PCB Layout
Viewed from Component Side General Tolerance: ±0.05



Ordering Grid
USB3076 — **30** — **A** Request Samples and Quotation
 Contact Plating: 30 = 30u" Gold
 Packing Options: A = Tape & Reel (1.5K per Reel)

Specifications 规格

Materials 材料
 Plastic Housing 塑胶外壳: LCP, UL94V-0, Black
 Contact Terminal 接触端子: Copper Alloy
 Metallic Shell 金属外壳: Stainless Steel SUS304 T = 0.25mm

Plating 电镀:
 Underplating 底层电镀: 50µ" Nickel
 Contact Area 接触面积: 30µ" Gold plating
 Solder Tails 焊接末端: Gold Flash
 Metallic Shell 金属外壳: Matte Tin

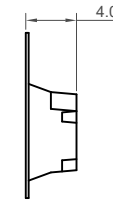
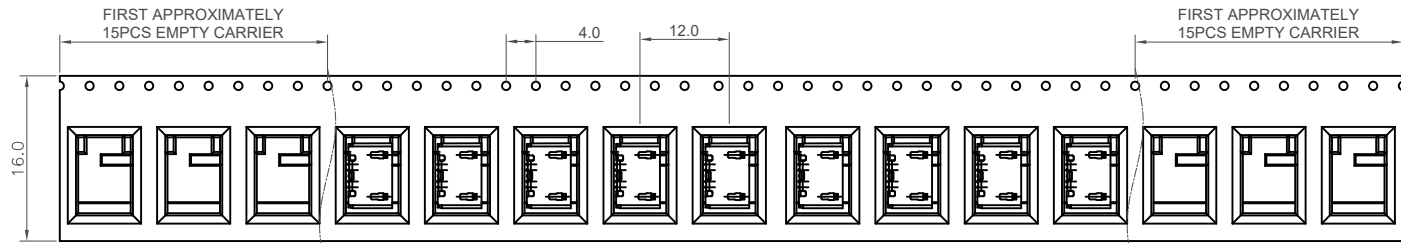
Electrical 电气
 Voltage Rating 电压额定值: 30 V AC
 Current Rating 电流额定值: Signal(Pins 2,3,4):1.0 A. Power (Pins1,5):1.8A.
 Operating Temperature 工作温度: -30°C to +85°C
 Contact Resistance 接触电阻值: 30mΩ max.
 Insulating Resistance 绝缘电阻值: 1000MΩ min.
 Dielectric Withstand Voltage 耐电压: 500V AC/Minute

Mechanical & Environmental 机械 & 环境
 Mating Force 插入力: 35N max.
 Unmating Force 拨出力: Initial 10N min. Final 8N min after durability test.
 Durability 耐久性: 10,000 Cycles

Part Number		Product Description	
USB3076		Micro USB Receptacle, Type B, SMT, Horizontal, Bottom Mount w/out Peg, w/Outer Shell Stakes, w/out Mating Face Lead-In	
Drawing Date		26th August 2011	
By	CC	Tolerances (Except as Noted)	Units:
Detail	USB3076	Length	Metric (mm)
Revision	C PCN	X.X ± 0.30	
Date	C5	X.XX ± 0.20	2011/08/01
		X.XXX ± 0.10	Deca-IDE
		X.X° ± 2°	This drawing is confidential and copyright of Global Connector Technology, Ltd (GCT). This drawing must not be copied or disclosed without written consent. E & OE
		X.XX° ± 1°	
		X.XXX° ± 0.5°	3rd Angle Projection

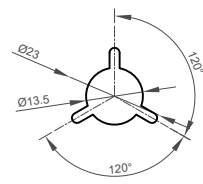
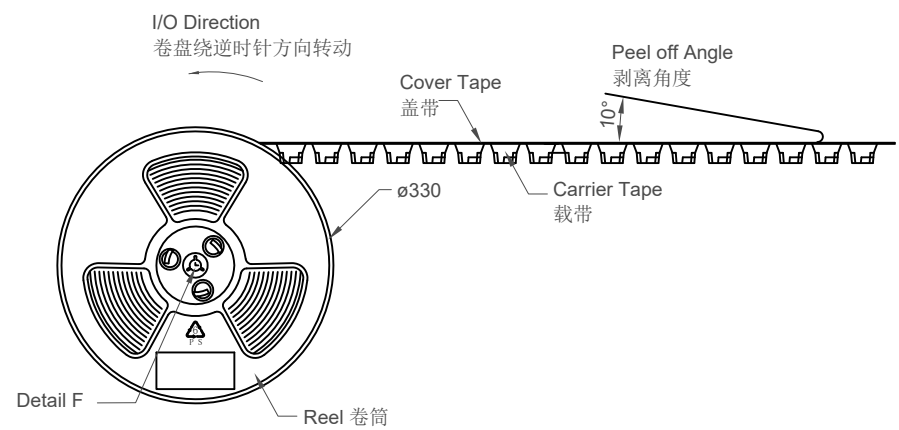
GCT
www.gct.co

Not to Scale | Drawn By ASE | Sheet No. 1/2

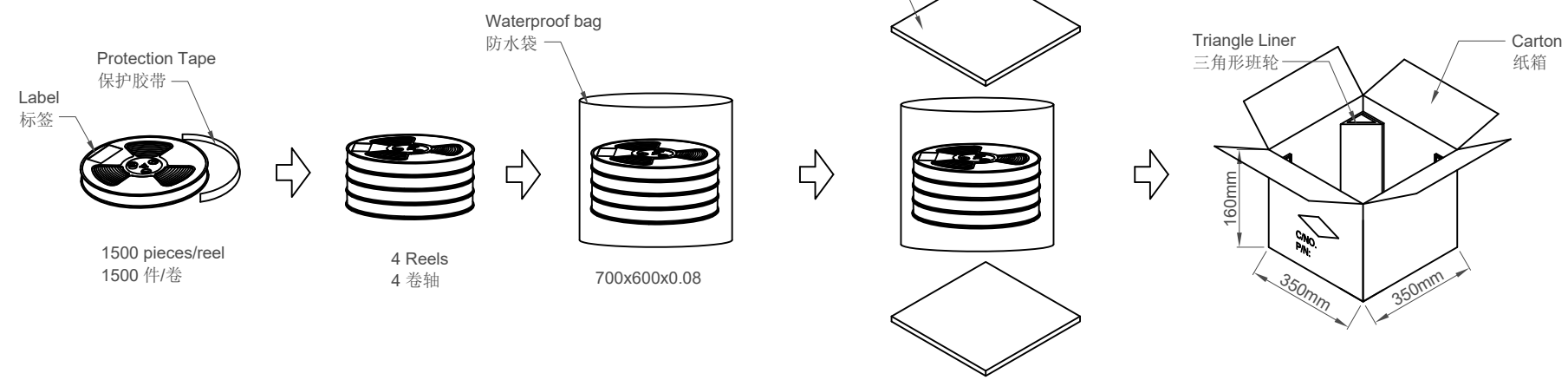


Products P/N	PCS/Reel	Reels/Carton	PCS/Carton
USB3076	1500	4	6000

- Notes/注意:
1. Peeling off force of top tape: 0.1-1.3N
 2. Part Conforms to EIA-481-C Standards 产品符合EIA-481-C标准
 3. All dimensions in millimeters 所有尺寸均是毫米
 4. 10 sprocket hole pitch cumulative tolerance±0.2mm



Detail F



Part Number		Product Description	
USB3076		Micro USB Receptacle, Type B, SMT, Horizontal, Bottom Mount w/out Peg, w/Outer Shell Stakes, w/out Mating Face Lead-In	
Drawing Date		26th August 2011	
By	CC	Tolerances (Except as Noted)	
Detail	USB3076 C PCN	Length	Angle
Revision	C5	X.X ± 0.30	X.X° ± 2°
Date	14/02/17	X.XX ± 0.20	X.XX° ± 1°
		X.XXX ± 0.10	X.XXX° ± 0.5°
		Units:	Metric (mm)
		3rd Angle Projection	



This drawing is confidential and copyright of Global Connector Technology, Ltd (GCT). This drawing must not be copied or disclosed without written consent. E & OE

GCT
www.gct.co

Not to Scale	Drawn By ASE	Sheet No. 2/2
--------------	--------------	---------------