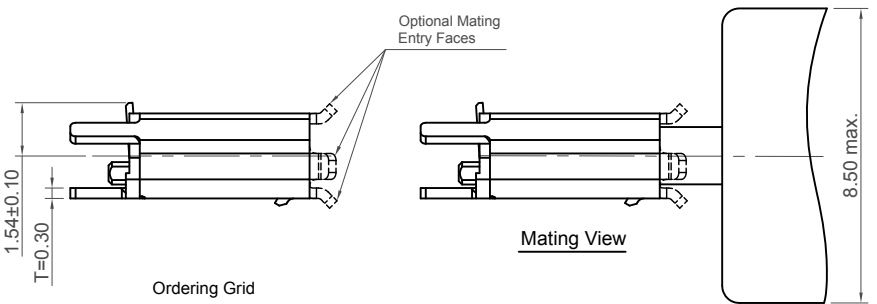
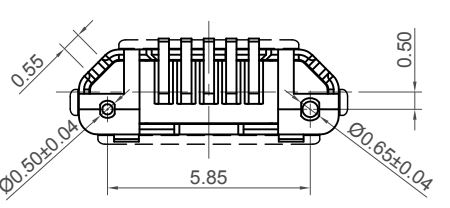
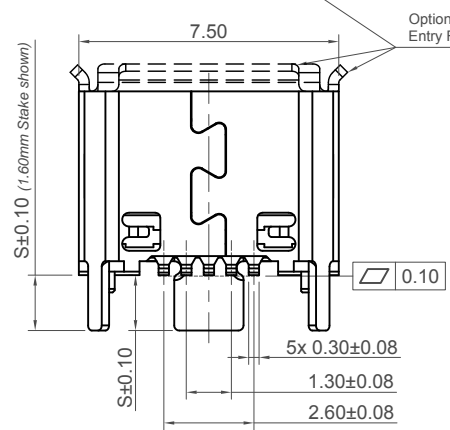


**Recommended PCB Layout**  
As viewed from component side General tolerance: ±0.05  
 Solder Area □ Component Outline

**PCB Mount & Cap Information**



**Mating View**

**Ordering Grid**  
**USB3160 - 30 - XXXX - X - C** [Request Samples and Quotation](#)  
**Contact Plating**  
30 = 30µ" Gold  
**Packing Options**  
C = Tape & Reel with Cap (500 per reel)  
**Shell Stake Length "S"**  
0070 = 0.60mm  
0120 = 1.10mm (recommended for 0.80mm PCB)  
0170 = 1.60mm (recommended for 1.00mm PCB)  
**Mating Entry Face**  
1 = With Mating Entry Face  
0 = Without Mating Entry Face

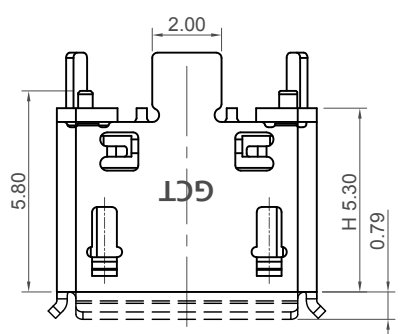
**Specifications**

**Material**  
 Plastic Housing: High Temp Plastic , UL94V-0, Black  
 Contact Terminal: Copper Alloy  
 Metallic Shell: Stainless Steel.

**Plating**  
 Underplating: 50µ" Nickel min  
 Finish: Contact Area: 30µ" Gold  
 Solder Tails: Gold Flash  
 Metallic Shell: Matte Tin

**Electrical**  
 Voltage Rating : 30 V AC  
 Current Rating: Signal (Pins 2,3,4): 1.0 A.  
 Power (Pins 1,5): 2.8A.  
 Operating Temperature: -30°C to +85°C.  
 Contact Resistance: 30mΩ max.  
 Insulating Resistance: 1000MΩ min.  
 Dielectric Withstand Voltage: 100V AC/minute

**Mechanical & Environmental**  
 Mating Force: 35N max.  
 Unmating Force: 8N min.  
 Durability: 10,000 Cycles

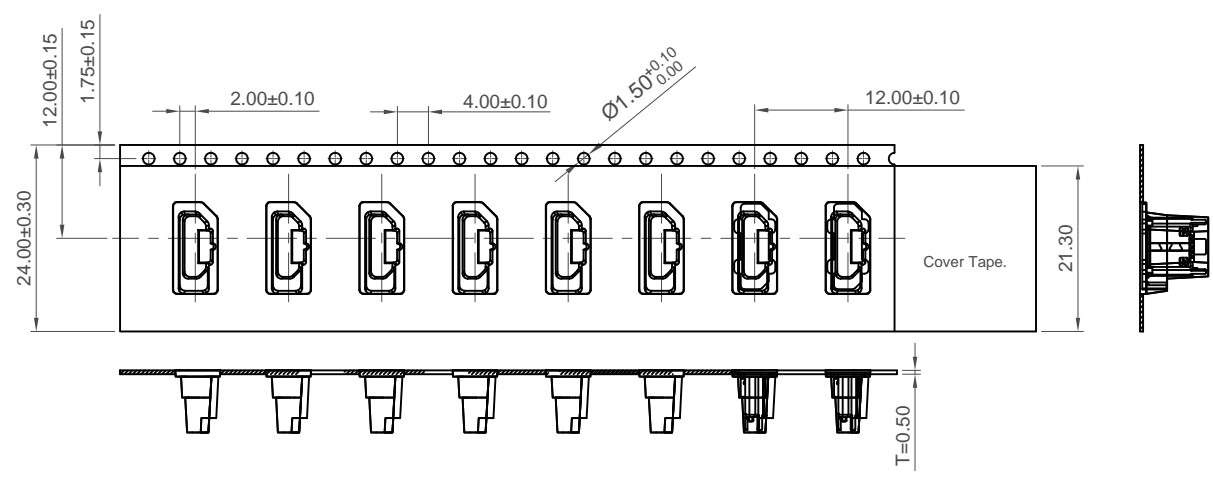
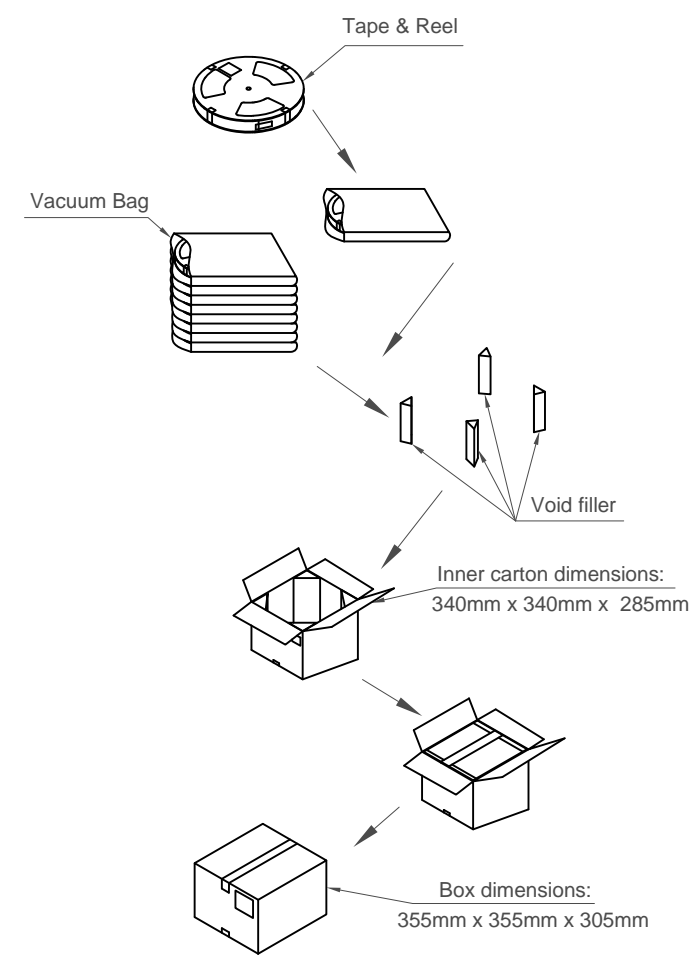
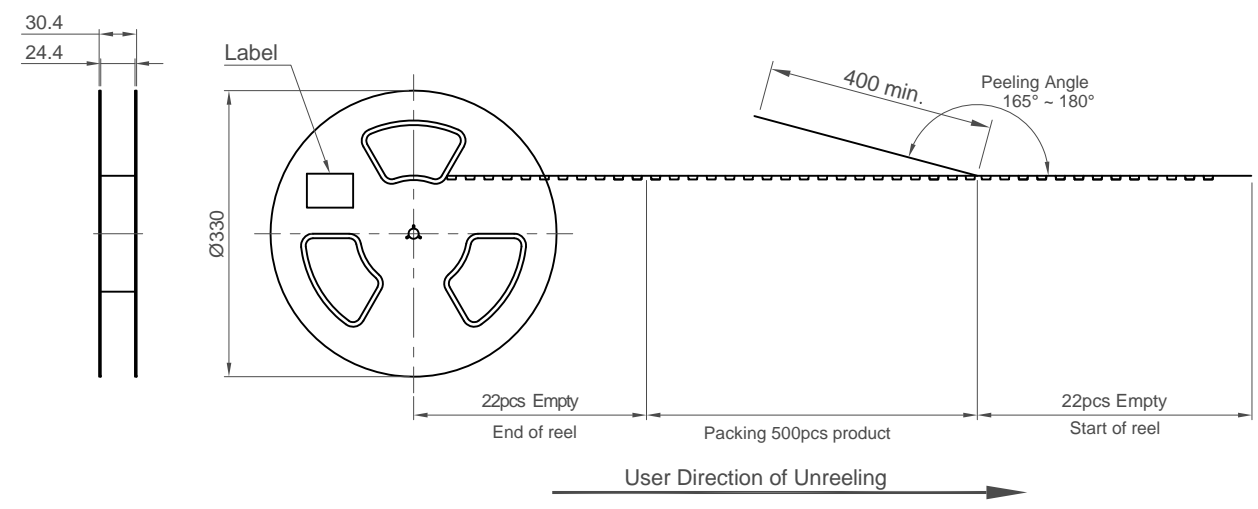


Designed to comply with physical, electrical and environmental requirements of Micro USB Standard (USB2.0)

Part Number		Product Description	
USB3160		Micro USB Receptacle, Type B, Surface Mount, Vertical, With Locating Peg & Through-Hole Shell Stakes	
Drawing Date		2nd November 2016	
By	CC	Tolerances (Except as Noted)	Units:
Detail	USB3160 C PCN	Length X ± 0.50 X.X ± 0.30 X.XX ± 0.20 X.XXX ± 0.10	Metric (mm)
Revision	C2	Angle	± 2°
Date	06/02/18	3rd Angle Projection	
		This drawing is confidential and copyright of Global Connector Technology, Ltd (GCT). This drawing must not be copied or disclosed without written consent. E & OE	
Not to Scale	Drawn By CC	Sheet No. 1/2	



H  
G  
F  
E  
D  
C  
B  
A



Notes:  
Peeling off force of top tape: 0.1-1.3N (Peeling direction as shown)

Materials:  
Carrier Tape: Polystyrene (PS)  
Top Tape: PE  
Reel Tape: Polystyrene (PS)  
Bag: PE

Pcs / Reel	Reels / Carton	Total Quantity
500	9	4500 pcs

Part Number USB3160		Product Description Micro USB Receptacle, Type B, Surface Mount, Vertical, With Locating Peg & Through-Hole Shell Stakes			This drawing is confidential and copyright of Global Connector Technology, Ltd (GCT). This drawing must not be copied or disclosed without written consent. E & OE	 www.gct.co
Drawing Date 2nd November 2016		Units: Metric (mm)				
By	CC	Tolerances (Except as Noted)				Not to Scale    Drawn By CC    Sheet No. 2/2
Detail	USB3160 C PCN	Length	Angle			
Revision	C2	X. ± 0.20	± 2°			
Date	06/02/18	X.X ± 0.15				