

iunex

**USB Connectors
for Charging
Applications**



GCT

Available at



Vital Stats

Introducing the **ionex**[®] range from **GCT**. USB Type-C connectors specifically aimed for **power charging** designs.

The connectors are based on a modified 16 pin configuration giving it the full charge capabilities of Type-C with streamlined USB2.0 functionality. Fewer pins means a price point closer to that of Micro USB, making Type-C more accessible than ever and a real option for engineers to design into charging and docking applications.

Contacts

16

Double-Layer Shell

Stainless Steel

Operating Temp.

-40 to +85°C

Mating Cycles

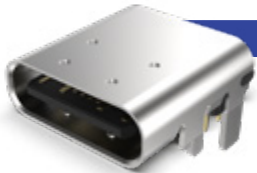
10,000

Specification

USB 2.0

GCT Ionex at Digi-Key

ionex Range



USB4085 - Through-Hole

- USB Type-C, USB 2.0 Horizontal Receptacle
- Single-piece injection molded stainless steel shell
- 3.46mm profile above PCB, Top mount, Through-Hole mount
- 4 Through-Hole shell stakes, 16 Through-Hole solder tails



USB4110 - Surface Mount

- USB Type-C, USB 2.0 Horizontal Receptacle
- Single-piece injection molded stainless steel shell
- 3.26mm profile above PCB, Top mount, SMT mount
- 4 Surface Mount shell tabs, 16 SMT solder tails



USB4105 - Hybrid / Coming Soon

- USB Type-C, USB 2.0 Horizontal Receptacle
- Single-piece injection molded stainless steel shell
- 3.31mm profile above PCB, Top mount, Hybrid mount
- 4 Through-Hole shell tabs, 16 SMT solder tails

USB4085 Key Specs

The first in the **ionex®** range - **USB4085** - is a horizontal top-mount USB Type-C connector with 16 through-hole solder tails and 4 through-hole shell stakes. This allows for a superior connection to the circuit board and stability during soldering.



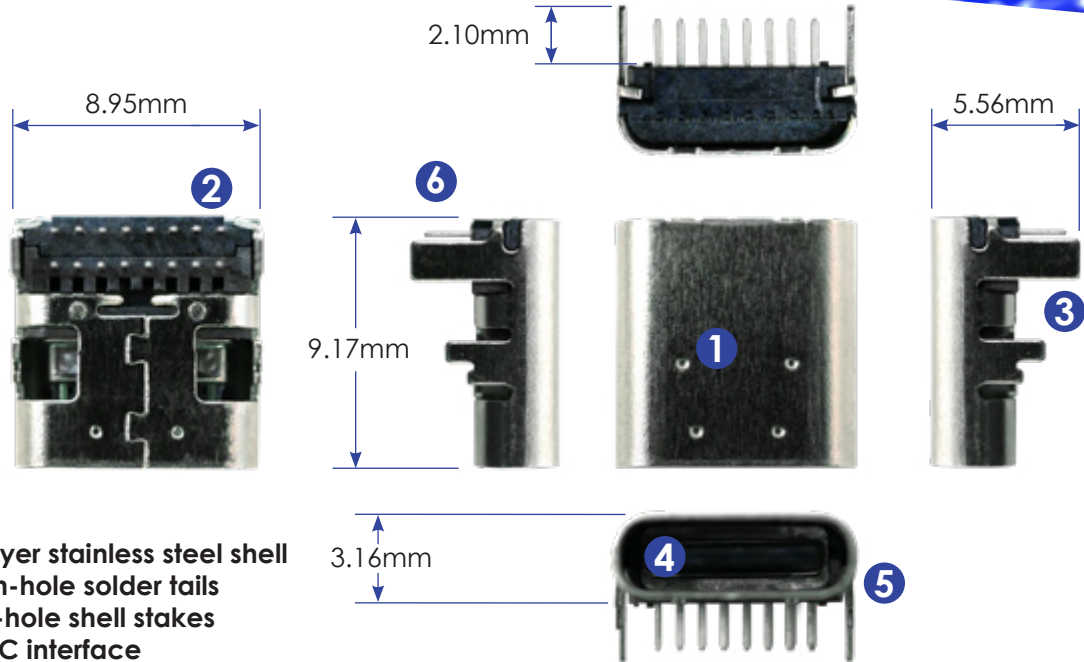
- Ⓛ Complies to USB standard 2.0
- Ⓛ Super fast charging
- Ⓛ Cost saving thanks to fewer contacts

16 Pin Design

- Ⓛ VBUS 3A (A1, A4, A9, A12, B1, B9, B4, B12)
- Ⓛ V Conn 1.25A (B5, A8)
- Ⓛ Ground 4.25A (A1, A12, B1, B12)
- Ⓛ others 0.25A

View USB4085 at Digi-Key

USB4085 Key Dimensions



- 1 Double-layer stainless steel shell
- 2 16 through-hole solder tails
- 3 4 through-hole shell stakes
- 4 USB Type-C interface
- 5 10,000 mating cycles
- 6 Overall depth of less than 10mm

USB4110 Key Specs

The second in the **ionex**[®] range - **USB4110** - is a horizontal top-mount USB Type-C connector with 16 surface mount solder tails, 4 surface mount shell tabs and 2 locating pegs moulded into the insulator. This allows for easy integration into a cheaper, surface-mount only board design.



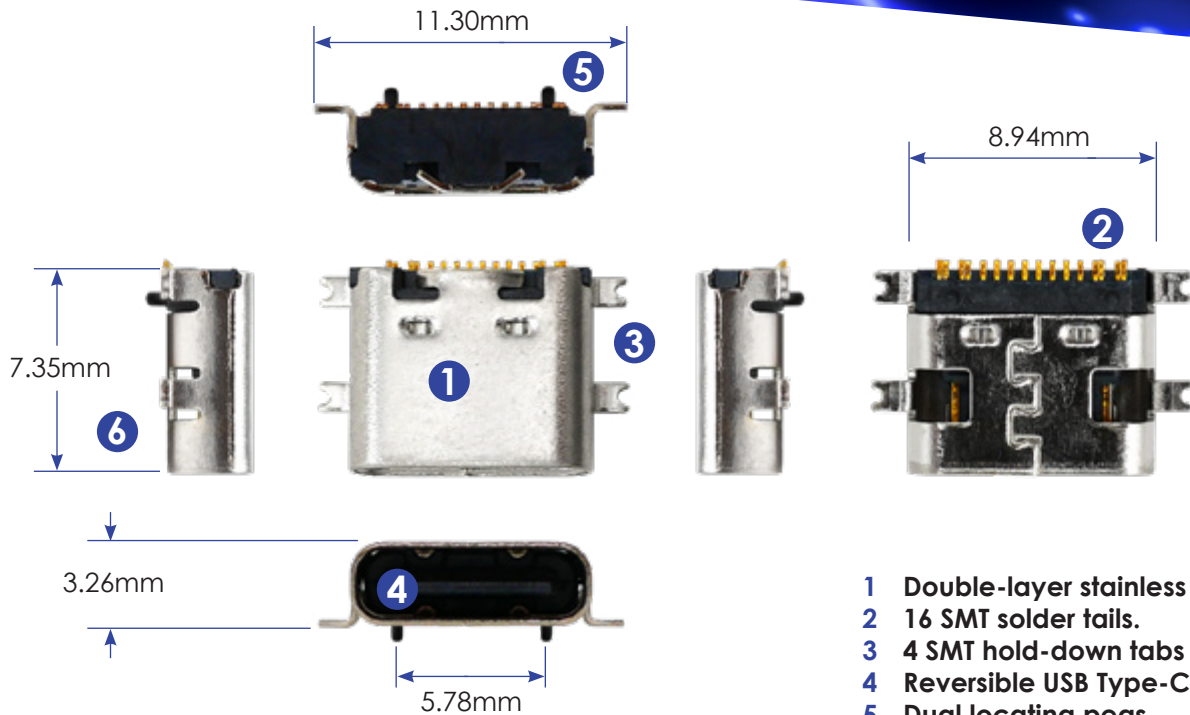
- ⚡ Complies to USB standard 2.0
- ⚡ Super fast charging
- ⚡ Cost saving thanks to fewer contacts

16 Pin Design

- ⚡ VBUS 3A (A1, A4, A9, A12, B1, B9, B4, B12)
- ⚡ V Conn 1.25A (B5, A8)
- ⚡ Ground 4.25A (A1, A12, B1, B12)
- ⚡ others 0.25A

[View USB4110 at Digikey](#)

USB4110 Key Dimensions



- 1 Double-layer stainless steel shell
- 2 16 SMT solder tails.
- 3 4 SMT hold-down tabs
- 4 Reversible USB Type-C interface
- 5 Dual locating pegs
- 6 Overall depth of less than 7.5mm

GCT



Technical Drawing & Documentation

Detailed Product Drawings | Specification & Testing Documents



Instant 3D CAD Model & PCB Footprint Downloads

Configure & download any GCT part in seconds | Universal & software-specific file types

Available now at

