



D38999/50 Dummy Stowage Receptacle

Mating Connector
MIL-DTL-38999
Series IV

D38999/50 B W

Basic Part No. _____ Class Per Spec. (Finish is Cadmium
Olive Drab Over Electroless Nickel)

Shell Size Code _____

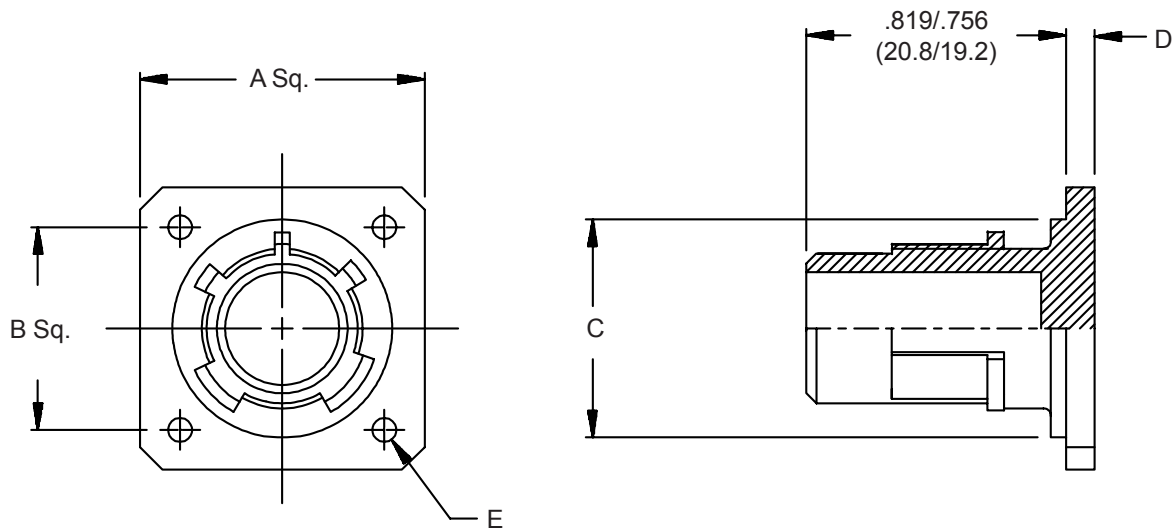


TABLE I

Shell Size Code	Shell Size Ref.	A		B		C		D		E Dia	
		± 0.043	(± 1.10)	BSC		+ 0	(0.00)	± 0.010	($\pm .25$)	± 0.008	(± 0.2)
B	11	1.030	(26.15)	.812	(20.62)	.793	(20.15)	.093	(2.35)	.130	(3.3)
C	13	1.124	(28.55)	.906	(23.02)	.919	(23.35)	.093	(2.35)	.130	(3.3)
D	15	1.219	(30.95)	.969	(24.62)	1.044	(26.52)	.093	(2.35)	.130	(3.3)
E	17	1.313	(33.35)	1.062	(26.98)	1.170	(29.72)	.093	(2.35)	.130	(3.3)
F	19	1.439	(36.55)	1.156	(29.36)	1.294	(32.87)	.093	(2.35)	.130	(3.3)
G	21	1.561	(39.65)	1.250	(31.76)	1.419	(36.05)	.124	(3.15)	.130	(3.3)
H	23	1.687	(42.85)	1.375	(34.92)	1.544	(39.22)	.124	(3.15)	.142	(3.6)
J	25	1.813	(46.05)	1.500	(38.10)	1.669	(42.40)	.124	(3.15)	.142	(3.6)

1. For complete dimensions see applicable Military Specification.
2. Metric dimensions (mm) are indicated in parentheses.