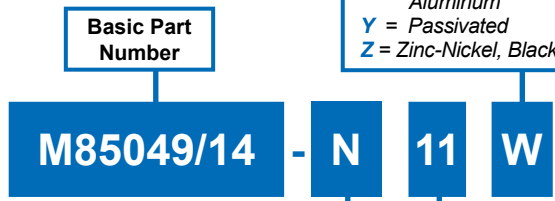


# AS85049/14S Self-Locking E-Nut



<b>CONNECTOR DESIGNATOR:</b>	
<b>H</b>	MIL-DTL-38999 Series III & IV

<b>Finish</b>
<i>A</i> = Anodize, Black
<i>N</i> = Electroless Nickel
<i>W</i> = 1,000 Hour Cadmium Olive Drab over Electroless Nickel
<i>X</i> = Pure Dense Electrodeposited Aluminum
<i>Y</i> = Passivated
<i>Z</i> = Zinc-Nickel, Black



— = Non Self-Locking  
*S* = Detented  
*N* = Non-Detented

**Shell Size**

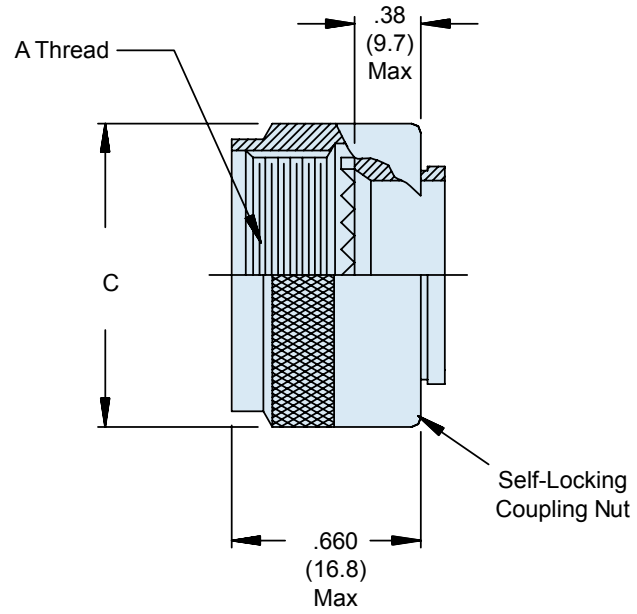


TABLE I: Shell Size, Shell Size Code, Thread and Dimensions			
Shell Size	Shell Size Code Ref.	A Thread Class 2B	Ø C Max
9	A	M12 X 1 - 6H	.86 (21.8)
11	B	M15 X 1 - 6H	.98 (24.9)
13	C	M18 X 1 - 6H	1.16 (29.5)
15	D	1M22 X 1 - 6H	1.28 (32.5)
17	E	M25 X 1 - 6H	1.41 (35.8)
19	F	M28 X 1 - 6H	1.52 (38.6)
21	G	M31 X 1 - 6H	1.64 (41.7)
23	H	M34 X 1 - 6H	1.77 (45.0)
25	J	M37 X 1 - 6H	1.89 (48.0)

- APPLICATION NOTES**
- For complete dimensions, see the applicable Military Specification.
  - Metric dimensions (mm) are indicated in parentheses.