

# AS85049/17

## Straight EMI/RFI Environmental Backshell

### CONNECTOR DESIGNATOR:

F

MIL-DTL-38999, Series I and II  
40M38277, PAN 6433-1  
PATT 614, PATT 616  
NFC93422 Series HE308 and HE309

### Finish

**N** = Electroless Nickel

**W** = 1,000 Hr. Cadmium Olive Drab  
over Electroless Nickel

**X** = Aluminum, Nickel Fluorocarbon Polymer

**Z** = Aluminum, Zinc-Nickel, Black

M85049/17

10

N

03

A

**Basic  
Part Number**

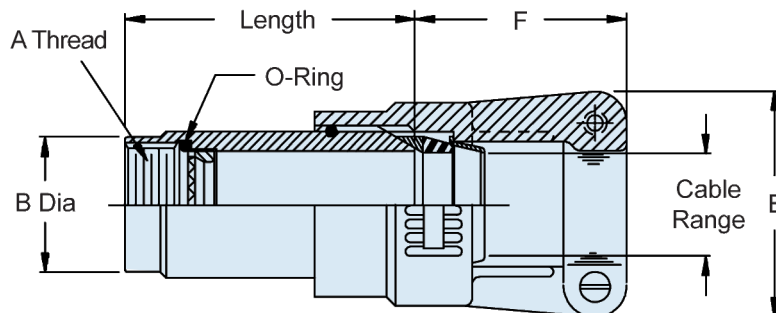
**Dash Number  
(Table I)**

**Clamp Size  
(Table III)**

**Length Code  
(Table IV)  
Omit for Standard**

### TABLE I: Shell Size, Thread and Dimensions

| Dash No. | Shell Size Series I | Shell Size Series II | A Thread Class 2B | B Dia Max    |
|----------|---------------------|----------------------|-------------------|--------------|
| 08       | 09                  | 08                   | .438 - 28 UNEF    | .570 (14.5)  |
| 10       | 11                  | 10                   | .562 - 24 UNEF    | .700 (17.8)  |
| 12       | 13                  | 12                   | .688 - 24 UNEF    | .830 (21.1)  |
| 14       | 15                  | 14                   | .813 - 20 UNEF    | .950 (24.1)  |
| 16       | 17                  | 16                   | .938 - 20 UNEF    | 1.080 (27.4) |
| 18       | 19                  | 18                   | 1.063 - 18 UNEF   | 1.200 (30.5) |
| 20       | 21                  | 20                   | 1.188 - 18 UNEF   | 1.330 (33.8) |
| 22       | 23                  | 22                   | 1.313 - 18 UNEF   | 1.450 (36.8) |
| 24       | 25                  | 24                   | 1.438 - 18 UNEF   | 1.580 (40.1) |



### TABLE II: Shell Size and Clamp Size

| Dash No. | Shell Size Series I | Shell Size Series II | Clamp Size |     |
|----------|---------------------|----------------------|------------|-----|
|          |                     |                      | Min        | Max |
| 08       | 09                  | 08                   | 01         | 02  |
| 10       | 11                  | 10                   | 01         | 03  |
| 12       | 13                  | 12                   | 02         | 04  |
| 14       | 15                  | 14                   | 02         | 05  |
| 16       | 17                  | 16                   | 02         | 06  |
| 18       | 19                  | 18                   | 03         | 07  |
| 20       | 21                  | 20                   | 03         | 08  |
| 22       | 23                  | 22                   | 03         | 09  |
| 24       | 25                  | 24                   | 04         | 10  |

### TABLE III: Clamp Size, Cable Range and Dimensions

| Clamp Size | Cable Range  |              | E Max        | F Max        |
|------------|--------------|--------------|--------------|--------------|
|            | Min          | Max          |              |              |
| 01         | .062 (1.6)   | .125 (3.2)   | .781 (19.8)  | 1.250 (31.8) |
| 02         | .125 (3.2)   | .250 (6.4)   | .969 (24.6)  | 1.250 (31.8) |
| 03         | .250 (6.4)   | .375 (9.5)   | 1.062 (27.0) | 1.250 (31.8) |
| 04         | .375 (9.5)   | .500 (12.7)  | 1.156 (29.4) | 1.250 (31.8) |
| 05         | .500 (12.7)  | .625 (15.9)  | 1.250 (31.8) | 1.312 (33.3) |
| 06         | .625 (15.9)  | .750 (19.1)  | 1.375 (34.9) | 1.375 (34.9) |
| 07         | .750 (19.1)  | .875 (22.2)  | 1.500 (38.1) | 1.500 (38.1) |
| 08         | .875 (22.2)  | 1.000 (25.4) | 1.625 (41.3) | 1.625 (41.3) |
| 09         | 1.000 (25.4) | 1.125 (28.6) | 1.750 (44.5) | 1.625 (41.3) |
| 10         | 1.125 (28.6) | 1.250 (31.8) | 1.875 (47.6) | 1.625 (41.3) |

### TABLE IV: Length Code

| Length Code | Available Shell Sizes | Length        |
|-------------|-----------------------|---------------|
| Standard    | 08 - 24               | 1.500 (38.1)  |
| A           | 08 - 24               | 2.500 (63.5)  |
| B           | 14 - 24               | 3.500 (88.9)  |
| C           | 20 - 24               | 4.500 (114.3) |

### APPLICATION NOTES

- For complete dimensions see the applicable Military Specification.
- Metric dimensions (mm) are in parentheses.
- Cable Range is defined as the accommodation range for the wire bundle or cable. Dimensions shown are not intended for inspection criteria.