



AS85049/17 EMI/RFI Environmental Backshell

Glenair Connector Designator F

**MIL-DTL-38999 Series I &
II, 40M38277, PAN 6433-1,
PATT 614, PATT 616,
NFC93422 Series HE308 &
HE309**

M85049/17 10 N 03 A

Basic Part No. _____
Shell Size _____
Finish _____
Length Code (Omit for Standard) _____
Clamp Size _____

N = Electroless Nickel
W = 1,000 Hr. Cadmium Olive Drab Over Electroless Nickel

TABLE I

Shell Size	A Thread Class 2B	B Dia Max
08	.438 - 28 UNEF	.57 (14.5)
10	.562 - 24 UNEF	.70 (17.8)
12	.688 - 24 UNEF	.83 (21.1)
14	.813 - 20 UNEF	.95 (24.1)
16	.938 - 20 UNEF	1.08 (27.4)
18	1.063 - 18 UNEF	1.20 (30.5)
20	1.188 - 18 UNEF	1.33 (33.8)
22	1.313 - 18 UNEF	1.45 (36.8)
24	1.438 - 18 UNEF	1.58 (40.1)

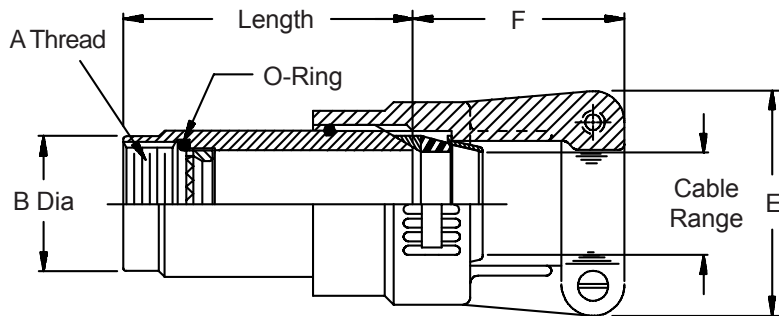


TABLE II

Shell Size	Shell Size		Clamp Size	
	Series 1 Ref.		Min	Max
08	9		01	02
10	11		01	03
12	13		02	04
14	15		02	05
16	17		02	06
18	19		03	07
20	21		03	08
22	23		03	09
24	25		04	10

TABLE III

Clamp Size	Cable Range		E Max	F Max
	Min	Max		
01	.062 (1.6)	.125 (3.2)	.781 (19.8)	1.250 (31.8)
02	.125 (3.2)	.250 (6.4)	.969 (24.6)	1.250 (31.8)
03	.250 (6.4)	.375 (9.5)	1.062 (27.0)	1.250 (31.8)
04	.375 (9.5)	.500 (12.7)	1.156 (29.4)	1.250 (31.8)
05	.500 (12.7)	.625 (15.9)	1.250 (31.8)	1.312 (33.3)
06	.625 (15.9)	.750 (19.1)	1.375 (34.9)	1.375 (34.9)
07	.750 (19.1)	.875 (22.2)	1.500 (38.1)	1.500 (38.1)
08	.875 (22.2)	1.000 (25.4)	1.625 (41.3)	1.625 (41.3)
09	1.000 (25.4)	1.125 (28.6)	1.750 (44.5)	1.625 (41.3)
10	1.125 (28.6)	1.250 (31.8)	1.875 (47.6)	1.625 (41.3)

TABLE IV

Length Code	Available Shell Sizes	Length
Std.	08 - 24	1.50 (38.1)
A	08 - 24	2.50 (63.5)
B	14 - 24	3.50 (88.9)
C	20 - 24	4.50 (114.3)

- For complete dimensions see applicable Military Specification.
- Metric dimensions (mm) are indicated in parentheses.
- Cable range is defined as the accommodation range for the wire bundle or cable. Dimensions shown are not intended for inspection criteria.