

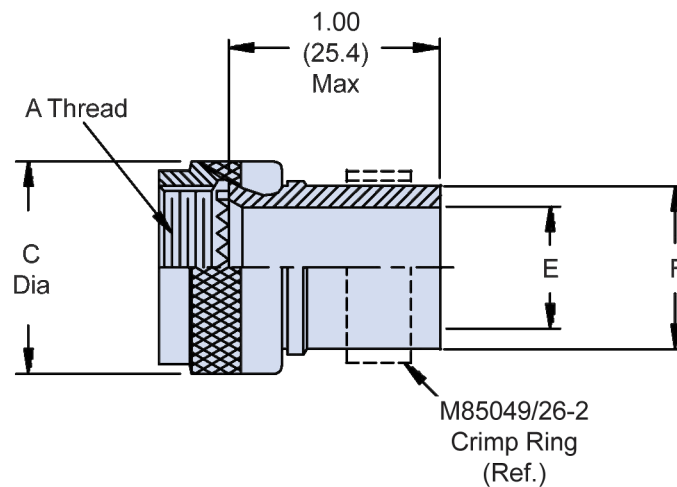


# AS85049/20 Straight Crimp Ring Backshell

**CONNECTOR DESIGNATOR:**
**H** MIL-DTL-38999 Series III and IV  
EN3645

**Finish**

*N* = Electroless Nickel  
*W* = 1,000 Hr. Cadmium Olive Drab over Electroless Nickel  
*X* = Aluminum, Nickel Fluorocarbon Polymer  
*Z* = Aluminum, Zinc-Nickel, Black

**M85049/20**
**- 11**
**W**
**Basic  
Part Number**
**Shell Size  
(Table I)**

**TABLE I: Shell Size, Thread, Cable Entry and Dimensions**

Shell Size	A Thread Class 2B	C Dia Max	E Dia ± .015 (0.4)	F Dia Max	M85049/26-2 Crimp Ring Ref
9	M12 X 1 - 6H	.750 (19.1)	.250 (6.4)	.347 (8.8)	8
11	M15 X 1 - 6H	.850 (21.6)	.325 (8.3)	.498 (12.6)	10
13	M18 X 1 - 6H	1.000 (25.4)	.420 (10.7)	.510 (13.0)	12
15	M22 X 1 - 6H	1.100 (27.9)	.540 (13.7)	.630 (16.0)	14
17	M25 X 1 - 6H	1.250 (31.8)	.670 (17.0)	.760 (19.3)	16
19	M28 X 1 - 6H	1.400 (35.6)	.789 (20.0)	.890 (22.6)	18
21	M31 X 1 - 6H	1.500 (38.1)	.914 (23.2)	1.010 (25.7)	20
23	M34 X 1 - 6H	1.650 (41.9)	1.039 (26.4)	1.130 (28.7)	22
25	M37 X 1 - 6H	1.750 (44.5)	1.112 (28.2)	1.202 (30.5)	24

**APPLICATION NOTES**

- For complete dimensions see the applicable Military Specification.
- Metric dimensions (mm) are in parentheses.
- Cable Entry is defined as the accommodation range for the wire bundle or cable. Dimensions shown are not intended for inspection criteria.