

MS3419 and AS85049/26 Crimp Ring Backshell



Crimp Ring
and Banding
Backshells

**Glenair Connector
Designator A**

**MIL-DTL-5015 Series 3400,
MIL-DTL-26482 Series 2,
AS81703 Series 3,
MIL-DTL-83723 Series I & III**

M85049/26-1-12 W

Basic Part No. _____
M85049/26-1 = Adapter Only
M85049/26-2 = Crimp Ring Only
M85049/26-3 = Adapter with Crimp Ring
Shell Size _____

Finish (Not Applicable
for M85049/26-2)
N = Electroless Nickel
W = 1,000 Hour Cadmium
Olive Drab Over
Electroless Nickel

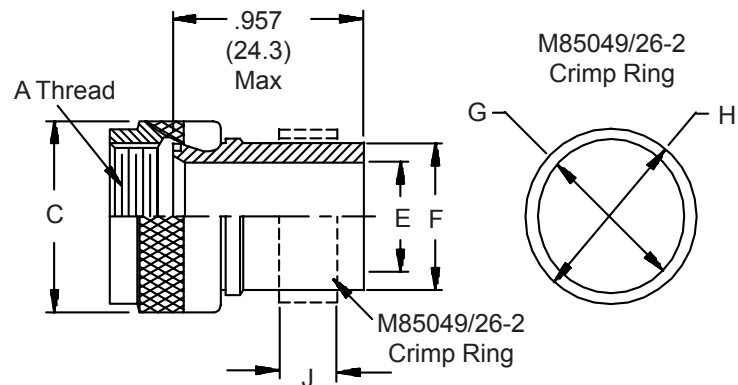
MS3419-21 C

Basic Part No. _____
Adapter Only
Dash No. _____

Superceded Part Number

Finish
A = Electroless Nickel
C = 500 Hour Cadmium Olive Drab
Over Electroless Nickel

| Shell Size | A Thread Class 2B | C Dia Max |
|------------|-------------------|-------------|
| 3 | .562 - 24 UNEF | .67 (17.0) |
| 8 | .500 - 20 UNF | .62 (15.7) |
| 10 | .625 - 24 UNEF | .73 (18.5) |
| 12 | .750 - 20 UNEF | .86 (21.8) |
| 14 | .875 - 20 UNEF | .98 (24.9) |
| 16 | 1.000 - 20 UNEF | 1.11 (28.2) |
| 18 | 1.062 - 18 UNEF | 1.22 (31.0) |
| 20 | 1.188 - 18 UNEF | 1.35 (34.3) |
| 22 | 1.313 - 18 UNEF | 1.47 (37.3) |
| 24 | 1.438 - 18 UNEF | 1.59 (40.4) |
| 28 | 1.750 - 18 UNS | 1.97 (50.0) |
| 32 | 2.000 - 18 UNS | 2.22 (56.4) |
| 36 | 2.250 - 16 UN | 2.47 (62.7) |
| 40 | 2.500 - 16 UN | 2.72 (69.1) |
| 44 | 2.750 - 16 UN | 2.97 (75.4) |
| 48 | 3.000 - 16 UN | 3.22 (81.8) |
| 61 | 1.500 - 18 UNEF | 1.65 (41.9) |



| M85049/26-3 (Adapter with Crimp Ring) Shell Size | M85049/26-1 (Adapter Only) MS3419 (Adapter Only) | | | | M85049/26-2 (Crimp Ring Only) | | | | |
|---|---|--------------|--------------|--|-------------------------------|--------------|--------------|-------------|--|
| | Shell Size | E Dia | F Dia | | Shell Size | G Min | H Min | J | |
| 3 | 3 | .250 (6.4) | .337 (8.6) | | | | | | |
| 8 | 8 | .250 (6.4) | .337 (8.6) | | 8 | .400 (10.2) | .448 (11.4) | .250 (6.4) | |
| 10 | 10 | .325 (8.3) | .488 (12.4) | | 10 | .585 (14.9) | .660 (16.8) | .440 (11.2) | |
| 12 | 12 | .420 (10.7) | .500 (12.7) | | 12 | .585 (14.9) | .660 (16.8) | .440 (11.2) | |
| 14 | 14 | .540 (13.7) | .620 (15.7) | | 14 | .705 (17.9) | .780 (19.8) | .440 (11.2) | |
| 16 | 16 | .670 (17.0) | .750 (19.1) | | 16 | .835 (21.2) | .910 (23.1) | .440 (11.2) | |
| 18 | 18 | .789 (20.0) | .880 (22.4) | | 18 | 1.005 (25.5) | 1.080 (27.4) | .440 (11.2) | |
| 20 | 20 | .914 (23.2) | 1.000 (25.4) | | 20 | 1.125 (28.6) | 1.200 (30.5) | .440 (11.2) | |
| 22 | 22 | 1.039 (26.4) | 1.120 (28.4) | | 22 | 1.245 (31.6) | 1.320 (33.5) | .440 (11.2) | |
| 24 | 24 | 1.112 (28.2) | 1.192 (30.3) | | 24 | 1.327 (33.7) | 1.402 (35.6) | .440 (11.2) | |
| 28 | 28 | 1.389 (35.3) | 1.545 (39.2) | | 28 | 1.665 (42.3) | 1.740 (44.2) | .440 (11.2) | |
| 32 | 32 | 1.635 (41.5) | 1.795 (45.6) | | 32 | 1.915 (48.6) | 1.990 (50.5) | .440 (11.2) | |
| 36 | 36 | 1.850 (47.0) | 2.045 (51.9) | | 36 | 2.165 (55.0) | 2.240 (56.9) | .440 (11.2) | |
| 40 | 40 | 2.065 (52.5) | 2.295 (58.3) | | 40 | 2.415 (61.3) | 2.490 (63.2) | .440 (11.2) | |
| 44 | 44 | 2.320 (58.9) | 2.545 (64.6) | | 44 | 2.665 (67.7) | 2.740 (69.6) | .440 (11.2) | |
| 48 | 48 | 2.570 (65.3) | 2.795 (71.0) | | 48 | 2.915 (74.0) | 2.990 (75.9) | .440 (11.2) | |
| 61 | 61 | 1.210 (30.7) | 1.359 (34.5) | | 61 | 1.435 (36.4) | 1.510 (38.4) | .440 (11.2) | |

- For complete dimensions see applicable Military Specification.
- Metric dimensions (mm) are indicated in parentheses.