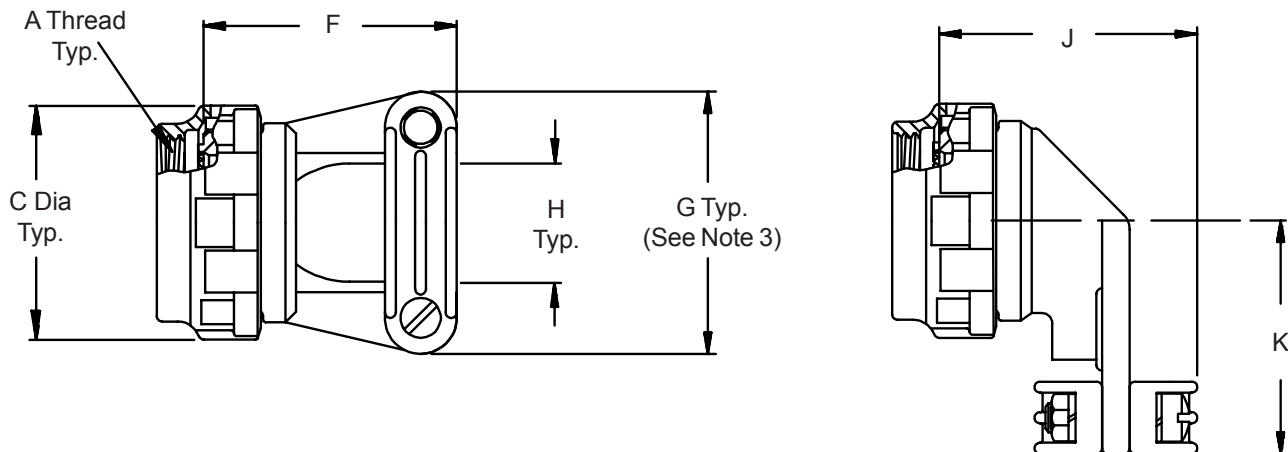


**Glenair Connector**  
**Designator H**
**MIL-DTL-38999**  
**Series III & IV,**  
**EN3645**
**M85049/91-11 T**

 Basic Part No. ———  
 M85049/91 = Straight  
 M85049/92 = 90°

Shell Size ———

 Material and Finish Designator (Note 4)  
 J = Composite (Conductive), Cadmium Olive Drab  
 Over Electroless Nickel  
 M = Composite (Conductive), Electroless Nickel  
 T = Composite (Non-Conductive) Without Plating

**TABLE I**

Shell Size	A Thread Class 2B	C Dia Max	F Max	G Max	H ±.031 Dia	J Max	K ±.062 (1.6)
09	M12 X 1 - 6H	.858 (21.8)	.840 (21.3)	.98 (24.9)	.219 (5.6)	1.06 (26.9)	.875 (22.2)
11	M15 X 1 - 6H	.984 (25.0)	.960 (24.4)	1.05 (26.7)	.264 (6.7)	1.10 (27.9)	.937 (23.8)
13	M18 X 1 - 6H	1.157 (29.4)	1.100 (27.9)	1.20 (30.5)	.344 (8.7)	1.18 (30.0)	1.031 (26.2)
15	M22 X 1 - 6H	1.280 (32.5)	1.100 (27.9)	1.30 (33.0)	.460 (11.7)	1.30 (33.0)	1.125 (28.6)
17	M25 X 1 - 6H	1.406 (35.7)	1.230 (31.2)	1.42 (36.1)	.545 (13.8)	1.38 (35.1)	1.312 (33.3)
19	M28 X 1 - 6H	1.516 (38.5)	1.410 (35.8)	1.52 (38.6)	.615 (15.6)	1.45 (36.8)	1.375 (34.9)
21	M31 X 1 - 6H	1.642 (41.7)	1.510 (38.4)	1.64 (41.7)	.698 (17.7)	1.54 (39.1)	1.500 (38.1)
23	M34 X 1 - 6H	1.768 (44.9)	1.660 (42.2)	1.77 (45.0)	.700 (17.8)	1.62 (41.1)	1.625 (41.3)
25	M37 X 1 - 6H	1.890 (48.0)	1.760 (44.7)	1.89 (48.0)	.850 (21.6)	1.69 (42.9)	1.750 (44.5)

1. For complete dimensions see applicable Military Specification.
2. Metric dimensions (mm) are indicated in parentheses.
3. Clamp Entry is measured with Saddle bars closed and seated on Clamp Ears.