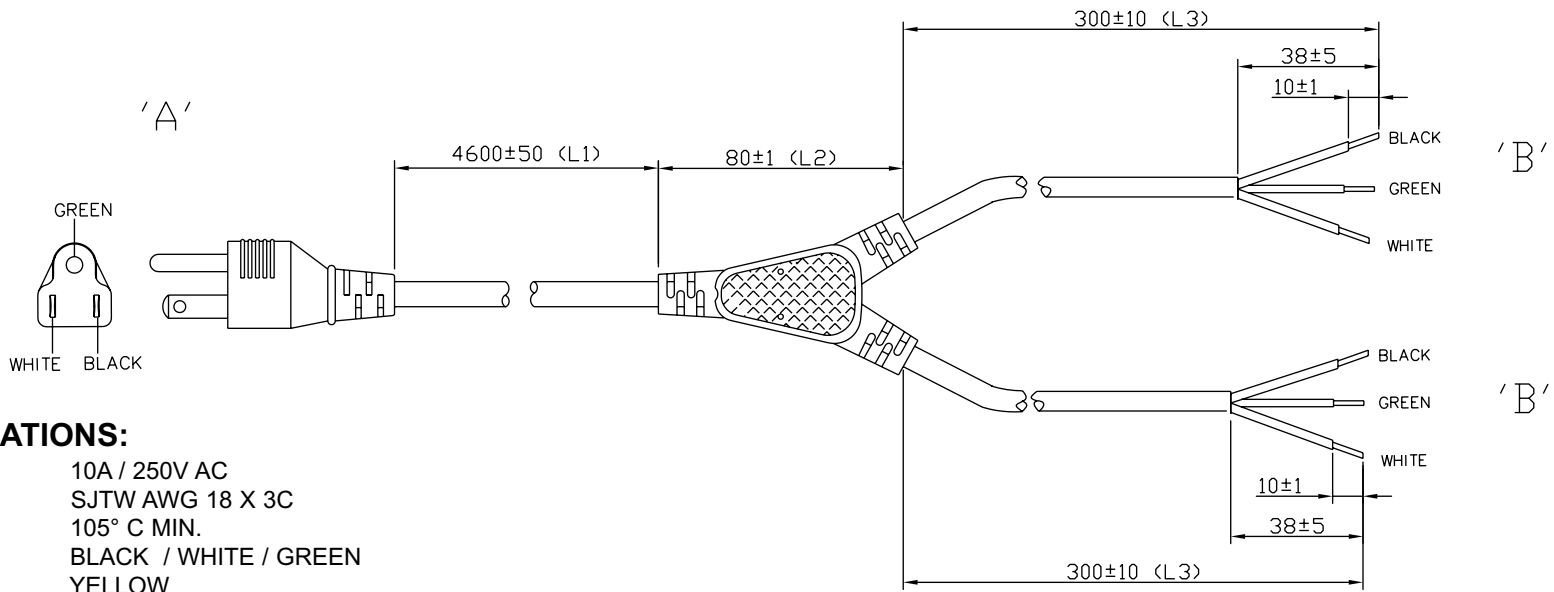


PROPRIETARY INFORMATION:
 PROPRIETARY OF GLOBTEK, INC. ANY REPRODUCTION, DISCLOSURE OR USE OF THIS DRAWING, IN WHOLE OR IN PART, IS HEREBY PROHIBITED EXCEPT AS SPECIFIED IN WRITING BY GLOBTEK, INC.

REVISION			
REV	DESCRIPTION	DATE	APPROVED
A	INITIAL RELEASE,RFS. 8690, BS, CS-MT	06/20/06	BS



GENERAL SPECIFICATIONS:

RATING: 10A / 250V AC
 CABLE TYPE / SIZE: SJTW AWG 18 X 3C
 TEMPERATURE RATING: 105° C MIN.
 CONDUCTOR COLORS: BLACK / WHITE / GREEN
 CABLE JACKET COLOR: YELLOW
 LENGTH (L1): 4600 ± 50mm
 LENGTH (L2): 80 ± 1 mm
 LENGTH (L3): 300 ± 10 mm
 CABLE OUTER DIAMETER: 7.8 ± 0.15 mm
 END 'A' : NEMA 5-15
 END 'B' (2): SEE TAB. BELOW
 APPROVALS PLUG: UL, CSA or cUL
 APPROVALS CABLE: UL, CSA or cUL

NOTES:

- 'Y' Connector rated for outdoor use.
- UL listed cordsets marked with the file number on either the cordset or the shipping container.
- Cord marked on the surface at intervals not exceeding 24 inches with the type designation size, and number of conductors.
- Cord, plug must be marked with approvals symbols or file number(s).

Wire	Color	ROJ ± 5 mm	RIJ ±1 mm	Terminals
Line	Black	38	10	Strip & Tin
Neutral	White	38	10	Strip & Tin
Ground	Green	38	10	Strip & Tin



PACKING:
 BULK



DASH NO.	PART NO	REV.	DESCRIPTION	NOTES
TABULATION BLOCK				
		TOLERANCES: DECIMALS ANGULAR .xx +/- 0.1 +/- 1° .xxx +/- .005		GlobTek, Inc. 186 Veterans Dr. Northvale, NJ 07647 www.globtek.com Tel. 201-784-1000 Fax 201.784.0111
		MILLIMETERS ANGULAR .xx +/- 0.3 +/- 1° .xxx +/- .013		
INIT.BY: BS	DATE: 06/20/06	FSCN No.: G, CC	SIZE: A	DWG TITLE: NON- DETACHABLE NORTH AMERICAN CORDSET
DRAWN: NF	DATE: 06/20/06	SCALE: NONE		REV. A
APRVD: HM	DATE: 06/20/06	PART NO: 30212316F600X2		SHEET 1/1

Foot Note:
 Globtek Inc. will not be liable for the safety and performance of these power product if unauthorized access and repair occurs. End user should consult the applicable UL, CSA or EN Standards for proper installation instruction.

Limitation of Use:
 Globtek product are not authorized for use as mission critical components in life support, hazardous environment, nuclear or aircraft applications without prior written approval from the CEO of Globtek Inc.

Contents of this document are subject to change without prior notice