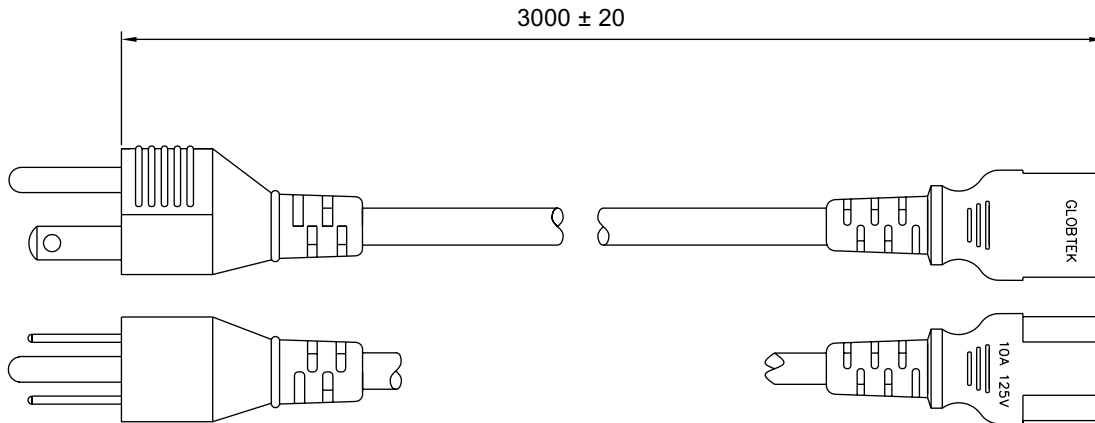
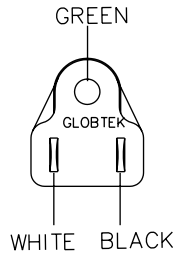


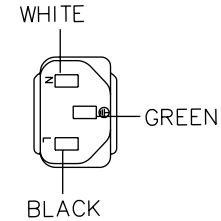
**PROPRIETARY INFORMATION:**  
 PROPRIETARY OF GLOBTEK, INC. ANY REPRODUCTION, DISCLOSURE OR USE OF THIS DRAWING, IN WHOLE OR IN PART, IS HEREBY PROHIBITED EXCEPT AS SPECIFIED IN WRITING BY GLOBTEK, INC.

REVISION			
REV	DESCRIPTION	DATE	APPROVED
A	INITIAL RELEASE	06/22/00	PS
B	UPDATE TO NEW FORMAT, RFS. 8129, EM	03/17/06	BS

'A'



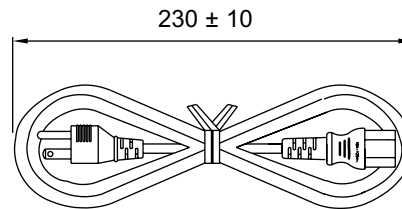
'B'



**GENERAL SPECIFICATIONS:**

RATING: 10A / 125V AC  
 CABLE TYPE / SIZE: SJT, 18 AWG X 3, SHIELDED  
 TEMPERATURE RATING: 60° C MIN.  
 CONDUCTOR COLORS: BLACK / WHITE / GREEN  
 CABLE JACKET COLOR: BLACK  
 OVERALL LENGTH (L): 3000 ± 20 mm  
 CABLE OUTER DIAMETER: 8.0 ± 0.1mm  
 END 'A' TERMINATION: NEMA 5-15P  
 END 'B' TERMINATION: IEC 320 / C13  
 APPROVALS PLUG: UL, CSA  
 APPROVALS CABLE: UL, CSA OR cUL  
 APPROVALS CONNECTOR: UL, CSA OR cUL

**PACKING:**  
 HANKING



**NOTES:**

1. CORD, PLUG AND CONNECTOR MUST BE MARKED WITH APPROVAL SYMBOLS OR FILE NUMBER(S).



DASH NO.	PART NO	REV.	DESCRIPTION	NOTES
<b>TABULATION BLOCK</b>				
		<b>TOLERANCES:</b> DECIMALS ANGULAR .xx +/- 0.1 +/- 1° .xxx +/- .005		<b>GlobTek, Inc.</b> 186 Veterans Dr. Northvale, NJ 07647 www.globtek.com Tel. 201-784-1000 Fax 201.784.0111
		MILLIMETERS ANGULAR .xx +/- 0.3 +/- 1° .xxx +/- .013		
INIT.BY: EM	DATE: 03/17/06	DWG TITLE: NORTH AMERICAN DETACHABLE CORDSET		
DRAWN: NF	DATE: 03/17/06	FSCN No.: G, CC	SIZE A	MODEL: N / A
APRVD: DMR	DATE: 03/17/06	SCALE: NONE	PART NO: 3021889F10701	REV. B
				SHEET 1/1

Foot Note:  
 Globtek Inc. will not be liable for the safety and performance of these power product if unauthorized access and repair occurs. End user should consult the applicable UL, CSA or EN Standards for proper installation instruction.

Limitation of Use:  
 Globtek product are not authorized for use as mission critical components in life support, hazardous environment, nuclear or aircraft applications without prior written approval from the CEO of Globtek Inc.

Contents of this document are subject to change without prior notice