

CABLE 161 RF: I-PEX MHF + SMA STRAIGHT BULKHEAD JACK WITH O-RING RATED TO IP67/68 + MULTIPLE CABLE SIZES

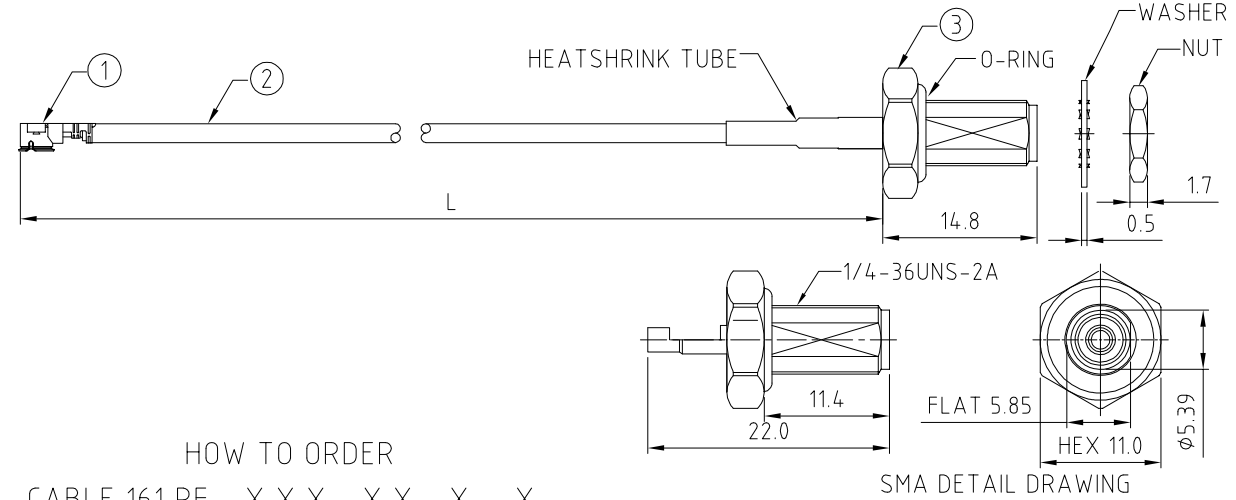
- SPECIFICATIONS :**
- I-PEX MHF PLUG, P/N: FOR RG178 CABLE: 20278-112R-18.
FOR $\phi 1.37\text{MM}$ CABLE: 20351-112R-37.
FOR $\phi 1.13\text{MM}$ CABLE: 20278-112R-13
FOR $\phi 1.32\text{DS}$ & 1.32MM CABLE: 20278-112R-32.
FOR $\phi 0.81\text{MM}$ CABLE: 20278-112R-08
 - COAXIAL CABLE, SEE P/N OPTIONS.
 - SMA STRAIGHT BULKHEAD JACK WITH O-RING RATED TO IP67/68, P/N: RFCT-SMA002-F78.

USAGE PRECAUTIONS: CABLES USING 'MICRO' COAX ARE DELICATE:

- (i) HANDLE WITH CARE.
- (ii) DO NOT TWIST; APPLY EXCESSIVE FORCES OR SHARP BENDS TO THE CABLE. DO NOT FORCEFULLY DEFORM WIRES.
- (iii) CONSULT CONNECTOR MANUFACTURER'S DATASHEETS FOR DETAILED NOTES ON HANDLING INSTRUCTIONS.

- ENVIRONMENTAL:**
- A. BULKHEAD MOUNTED CONNECTOR (RFCT-SMA002-F78) TESTED TO THE FOLLOWING SPECIFICATION:
- i. IP6X - DUST TIGHT - NO PARTICLE INGRESS.
 - ii. IPX7 WATERPROOF FOR 30 MINUTES UP TO 1 METER UNDERWATER.
 - iii. IPX8 WATERPROOF FOR 48 HOURS AT 1 METER UNDERWATER.
 - iv. IPX8 WATERPROOF FOR 12 HOURS AT 5 METERS UNDERWATER.
 - v. PRESSURE TEST - 1 BAR FOR 10 SECONDS.

- NOTES:**
- THE ORIENTATION OF CONNECTORS ON DRAWING IS FOR REFERENCE ONLY, IF THE ORDER IS LEFT BLANK THE CONNECTOR WILL NOT HAVE FIXED ORIENTATION.
 - FIXED ORIENTATION IS SUGGESTED FOR CABLE LENGTH 25MM TO 100MM. PLEASE SPECIFY THE FIXED ORIENTATIONS FROM THE ORDER CODE (F1, F2, ETC)
 - CONTACT GRADCONN IF THE ORIENTATION YOU REQUIRE IS NOT SHOWN.
 - WORKING FREQUENCY RANGE: DC-3GHz.
 - OPERATING TEMPERATURE: -40°C ~ $+90^{\circ}\text{C}$.
 - IMPEDANCE: 50 Ohm.



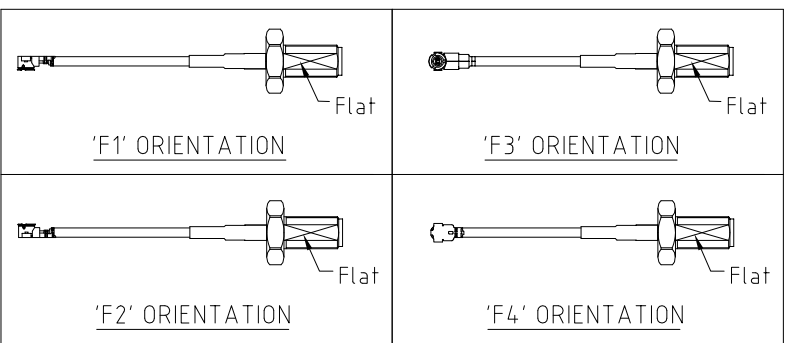
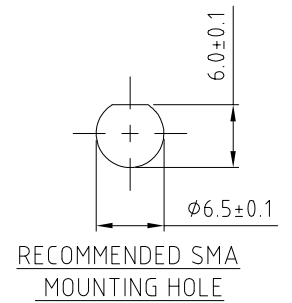
HOW TO ORDER
CABLE 161 RF - X X X - X X - X - X

"L" LENGTH IN MM:
eg: 100MM = 100
(MIN. 025-MAX.400
STANDARD = 100, 150, 200)
Tolerance: 50-200mm: $\pm 5\text{mm}$.
201-400mm: $\pm 7\text{mm}$.

- CABLE SIZE OPTIONS:**
- 1 = RG178 CABLE, COLOR: BROWN
 - 2 = $\phi 1.37\text{MM}$ CABLE, COLOR: BLACK
 - 3 = $\phi 1.13\text{MM}$ LOW LOSS CABLE, COLOR: GREY
 - 4 = $\phi 1.13\text{MM}$ CABLE, COLOR: GREY
 - 5 = $\phi 1.32\text{DS}$ CABLE, COLOR: GREY
 - 6 = $\phi 1.13\text{MM}$ CABLE, COLOR: BLACK
 - 7 = $\phi 1.32\text{MM}$ CABLE, COLOR: GREY
 - 8 = $\phi 0.81\text{MM}$ CABLE, COLOR: GREY

- ORIENTATION OPTIONS:**
- BLANK = DOES NOT HAVE A FIXED ORIENTATION
 - F1 = MHF CONNECTION DOWN (L=25-200MM)
 - F2 = MHF CONNECTION UP (L=25-200MM)
 - F3 = MHF CONNECTION AND D FLAT SAME ORIENTATION (L=25-200MM)
 - F4 = MHF CONNECTION AND D FLAT OPPOSITE ORIENTATION (L=25-200MM)
- (SEE NOTES 1, 2, 3 AND DIAGRAMS FOR MORE INFORMATION)

- WASHER AND NUT OPTIONS:**
- BLANK = SEPARATELY PACKED (STANDARD)
 - A = ASSEMBLED WITH CONNECTOR



REV. DATE & DRN	10 26/07/13 - NYW RELEASE
11 28/07/14 - NYW	ADD SMA P/N
12 23/07/15 - NYW	ADD 131 CABLE OPTION
13 20/07/16 - NYW	UPDATE SMA PART NUMBER
14 18/07/16 - NYW	ADD 132 CABLE OPTION
15 19/08/16 - R-JH	ADD CABLE OPTION NO. 3
16 02/05/17 - NYW	ADD ASSEMBLY OPTION B
17 27/06/17 - NYW	ADD 133 CABLE OPTION
18 08/11/17 - NYW	ADD F3, F4 ORIENTATION
19 10/07/17 - NYW	ADD 113 BLACK CABLE OPTION
20 27/09/18 - NYW	ADD 132 CABLE OPTION
21 20/03/19 - NYW	REMOVE MHF CAP OPTION (B)
22 27/05/19 - NYW	ADD OPERATING TEMP.
23 18/07/19 - NYW	ADD 081 CABLE OPTION
24 12/07/19 - NYW	ADD NOTE 6

Scale: NTS	THIRD ANGLE	Unstated Tolerances:
Drawn: RJH		X N/A XX N/A XXX N/A ANGLES N/A
App'd: XXX	Title CABLE ASSEMBLY	
Date: 12 JUL '19	Revision: 2.4	Unit: mm

IP67/68 Rated Cables www.gradconn.com

THIS DRAWING IS CONFIDENTIAL AND MUST NOT BE COPIED OR DISCLOSED WITHOUT WRITTEN CONSENT

Type: Cable 161 RF
CABLE 161 RF
Drawing Number:
Sheet 1 of 1
Drawing © E and O E