



CABLE 162 RF: I-PEX MHF + FRONT MOUNT SMA S/T BULKHEAD JACK WITH O-RING RATED TO IP67/68 + MULTIPLE CABLE SIZES

SPECIFICATIONS :

1. I-PEX MHF PLUG, P/N: FOR RG178 CABLE: 20278-112R-18. FOR $\phi 1.13\text{MM}$ CABLE: 20278-112R-13, FOR $\phi 1.37$ CABLE: 20351-112R-37.
2. COAXIAL CABLE, SEE P/N OPTIONS.
3. FRONT MOUNT SMA STRAIGHT BULKHEAD JACK WITH O-RING RATED TO IP67/68, P/N: RFCT-SMA003-F78.

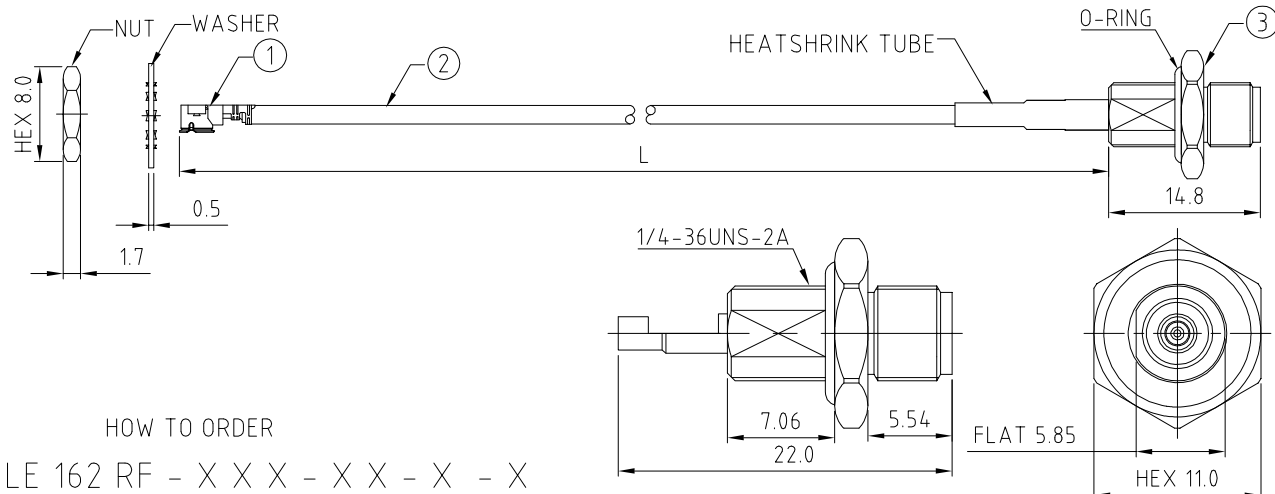
USAGE PRECAUTIONS: CABLES USING 'MICRO' COAX ARE DELICATE:
 (i) HANDLE WITH CARE.
 (ii) DO NOT TWIST; APPLY EXCESSIVE FORCES OR SHARP BENDS TO THE CABLE. DO NOT FORCEFULLY DEFORM WIRES.
 (iii) CONSULT CONNECTOR MANUFACTURER'S DATASHEETS FOR DETAILED NOTES ON HANDLING INSTRUCTIONS.

ENVIRONMENTAL:

- A. BULKHEAD MOUNTED CONNECTOR (RFCT-SMA003-F78) TESTED TO THE FOLLOWING SPECIFICATION:
- i. IP6X - DUST TIGHT - NO PARTICLE INGRESS.
 - ii. IPX7 WATERPROOF FOR 30 MINUTES UP TO 1 METER UNDERWATER.
 - iii. IPX8 WATERPROOF FOR 48 HOURS AT 1 METER UNDERWATER.
 - iv. IPX8 WATERPROOF FOR 12 HOURS AT 5 METERS UNDERWATER.
 - v. PRESSURE TEST - 1 BAR FOR 10 SECONDS.

NOTES:

1. THE ORIENTATION OF CONNECTORS ON DRAWING IS FOR REFERENCE ONLY, IF THE ORDER IS LEFT BLANK THE CONNECTOR WILL NOT HAVE FIXED ORIENTATION.
2. FIXED ORIENTATION IS SUGGESTED FOR CABLE LENGTH 25MM TO 100MM. PLEASE SPECIFY THE FIXED ORIENTATIONS FROM THE ORDER CODE (F1, F2, ETC)
3. CONTACT GRADCONN IF THE ORIENTATION YOU REQUIRE IS NOT SHOWN.
4. WORKING FREQUENCY RANGE: DC-3GHz.
5. OPERATING TEMPERATURE: $-40^{\circ}\text{C} \sim +90^{\circ}\text{C}$.



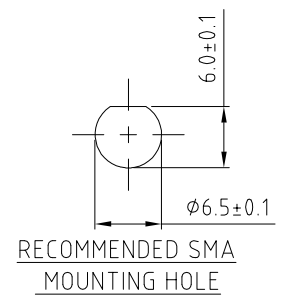
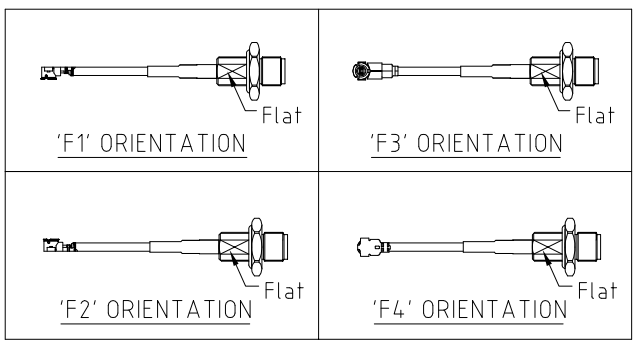
HOW TO ORDER
 CABLE 162 RF - X X X - X X - X - X

"L" LENGTH IN MM:
 eg: 100MM = 100
 (MIN. 025-MAX.400
 STANDARD = 100, 150, 200)
 Tolerance: 50-200mm: $\pm 5\text{mm}$.
 201-400mm: $\pm 7\text{mm}$.

CABLE SIZE OPTIONS:
 1 = RG178 CABLE, COLOR: BROWN
 2 = $\phi 1.13\text{MM}$ CABLE, COLOR: GRAY
 3 = $\phi 1.37\text{MM}$ CABLE, COLOR: BLACK
 4 = $\phi 1.13\text{MM}$ LOW LOSS CABLE, COLOR: GRAY.

WASHER AND NUT OPTIONS:
 BLANK = SEPARATELY PACKED (STANDARD)
 A = ALL ASSEMBLED WITH CONNECTOR

ORIENTATION OPTIONS:
 BLANK = DOES NOT HAVE A FIXED ORIENTATION
 F1 = MHF CONNECTION DOWN (L=25-200MM)
 F2 = MHF CONNECTION UP (L=25-200MM)
 F3 = MHF CONNECTION AND D FLAT SAME ORIENTATION (L=25-200MM)
 F4 = MHF CONNECTION AND D FLAT OPPOSITE ORIENTATION (L=25-200MM)
 (SEE NOTES 1, 2, 3 AND DIAGRAMS FOR MORE INFORMATION)



REV. DATE & DRN	10 26/11/13 - NYW RELEASE
11 12/05/14 - NYW	ADD CABLE SIZE OPTION 2.
12 23/07/15 - NYW	UPDATE SMA PART NUMBER.
13 30/10/15 - R/JH	ADD IP67/68 RATING INFO.
14 01/02/16 - NYW	ADD I-PEX CABLE OPTION.
15 16/05/17 - NYW	ADD I13 LL CABLE OPTION.
16 13/02/19 - NYW	ADD F3 & F4 ORIENTATION.
17 01/05/19 - NYW	ADD OPERATING TEMP.

Scale: NTS	THIRD ANGLE	Unstated: .X, .XX, .XXX ANGLES	Tolerances: N/A, N/A, N/A
Drawn: NYW			
App'd: XXX	Title: CABLE ASSEMBLY		
Date: 27 MAY '19	Revision: 1.7	Unit: mm	

IP67/68 Rated Cables www.gradconn.com

Type: Cable 162 RF
CABLE 162 RF
Drawing Number:
Sheet 1 of 1
Drawing © E and O E